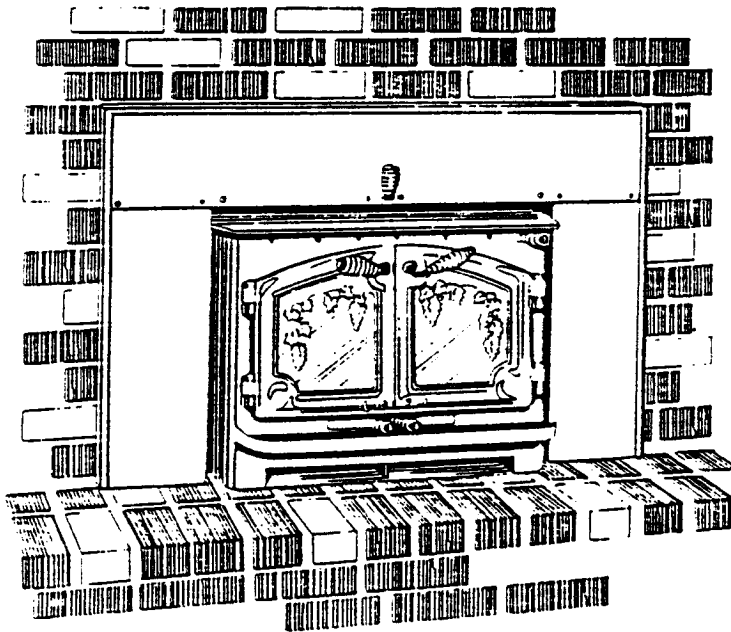




CLASSIC



OWNER'S MANUAL
fireplace inserts: X • FL • LX

ALL UNITS TESTED AND APPROVED TO UL STANDARDS 907 (CBO FILE NO. 4002)

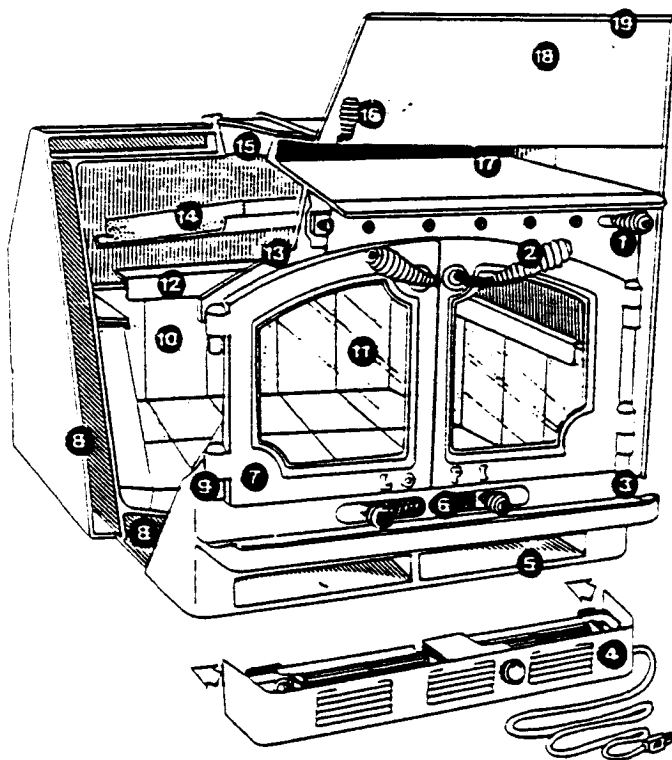
Installation

FOR INSTALLATION IN MASONRY FIREPLACES ONLY. DO NOT INSTALL IN METAL OR ZERO CLEARANCE FIREPLACES.

Assembly

This fireplace insert requires some assembly work to make the installation an easier task. This will include the removal of the doors and the installation of the glass.

Below we have provided a general cut-away illustration of our insert for you to acquaint yourself with the names of the parts and operations that will be mentioned within the text of this manual.



1. Secondary Draft Controls
2. Spring Handles
3. Ash Fender
4. Optional Blower
(Not available in Canada at this time)
5. Convection Chamber (Cool Air Intake)
6. Primary Draft
7. Cast Doors
8. Convection Chamber
9. Hinge Pin
10. Firebrick
11. High Temp. Glass
12. Firebrick Retainer
13. Airwash
14. Masonry Baffle
15. Flue
16. Damper Control
17. Convection Chamber (Warm Air Exit)
18. Facing Panels
19. Optional Trim Kit

Your Lopi fireplace insert will come delivered in three cartons.

1. The stove—(Includes hardware—baffle—firebricks—package of handles and accessories)
2. The glass—(2 glass panes—retaining clips—screws—gasketing)
3. Facing Panels—(Two side, One top) (Trim as optional)

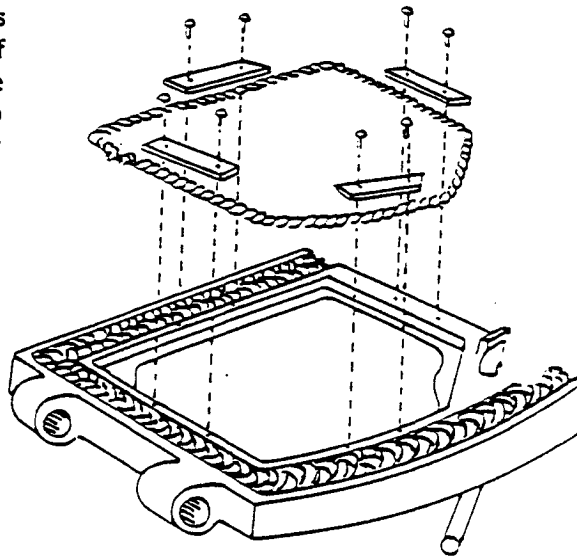
Before beginning work on the installation of this insert it is advisable to lighten it as much as possible to allow for ease in moving. To remove loading doors, simply open doors and lift straight up. Once the doors are removed the installation of the high temperature glass into the door can be carried out.

Glass Installation Instructions:

1. After the doors have been removed from the stove, take them to a table and place them face down with handle positioned to hang over the edge of the table. (To protect both doors and table, place a folded up towel between the door and the table.)
2. Place glass with gasketing attached into the doors. Make sure glass is evenly centered in the door frame. If evenly centered in the door frame. If etched glass, place etched surface (rough side) down so it will face to the outside of the door. If gasketing is not on glass you will have to apply it. Find the gasketing in glass boxes and adhere around glass. Make sure gasketing meets where it will be covered by the casting of the door. See drawing.
3. Place the metal retaining clips around the door frame and glass. (Small clip with angled edges goes to top.) Tighten each screw firmly, not overtight. Caution must be taken in tightening screws, too loose or too tight can result in glass breakage!
4. **DO NOT REAPPLY DOORS UNTIL STOVE HAS BEEN COMPLETELY INSTALLED!**

List of parts:

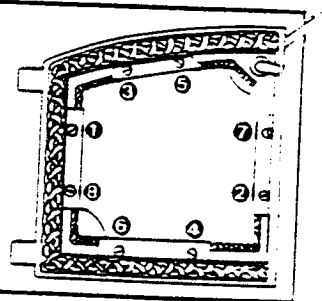
1. 2 glass panels
2. 8 metal clips
3. 16 screws
4. Two strips gasketing



NOTE:

For uniform gasket seal & glass tension.

- (A) Turn screws in order shown until heads meet metal retaining clips.
- (B) Now tighten each screw again to firmly secure glass into door. Follow the numbered layout provided for the tightening sequence.

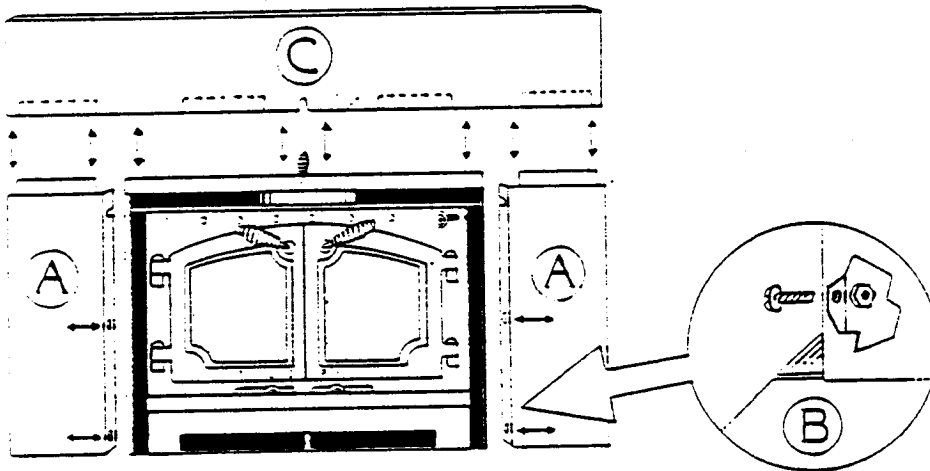


Facing Panels

Panels are provided with this unit in order to frame the insert with the masonry fireplace and make the fireplace airtight from the room.

Parts List:

1. 2 side/1 top panel
2. 4 bolt/nuts
3. Insulation—non paper backed—you will have to supply this



1. Align side panels (A) with sides of the convection chamber. Be sure that the inside panel flange (one with notch) fits inside of the convection chamber wall, not butted up to the outside.
2. Align holes and install bolts from the inside of the convection chamber (see figure (B)). Secure nuts to bolts and tighten. NOTE: Due to limited space it is advisable to use a dime to tighten the screw while the nut is held in place.
3. Once side panels are secured, position the top panel (C) over the stove so the slots on the backside aligns with the top flanges of the side panels and the convection chamber. Press down and center for secure fit.

To make fireplace airtight you will be required to purchase and place 2½" .nick x 2" wide strips of non paper fiberglass back insulation between the panels and the fireplace masonry. Place insulation so a little sticks out (¼") beyond the panels and press the insert and panels tight against the fireplace wall. With a screw driver tuck the exposed insulation behind the panels for an air-tight fit. Check for a good seal by holding a match around the perimeter of facing panels to determine if any drafts are occurring, if so fill the spot with more insulation and recheck.

Installation of the Fireplace Insert

Installing your insert requires some preparation and homework. Lopi inserts are intended for installation in accordance with the Standards for Chimney, Fireplaces, and Vents, NFPA No. 211; without a direct flue collar connection to the fireplace damper opening, and with a steel facing shroud which covers the fireplace around the top and sides of the insert.

Learn your local building codes, for you may be required to get a building permit before installing your insert. Your local Building Inspection Department will be happy to give you information regarding safety requirements in your area.

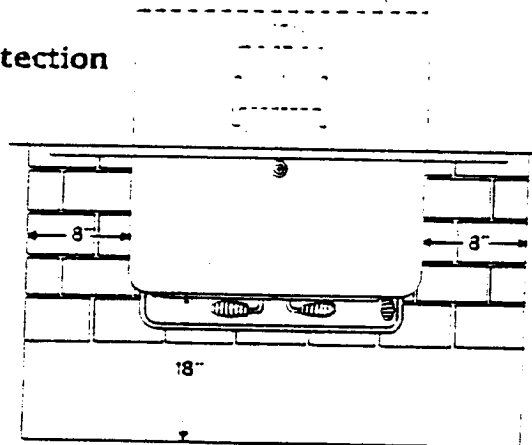
Also, notify your home insurance company that you plan to install a fireplace insert.

Before using the insert, be sure to have a local building inspector approve your installation in writing.

WARNING: CARELESS INSTALLATION IS THE MAJOR CAUSE OF SAFETY HAZARD: CHECK ALL LOCAL BUILDING AND SAFETY CODES BEFORE INSTALLATION OF UNIT!!

Your fireplace insert is heavy and requires at least two people to move it safely. The insert can be badly damaged by mishandling. Before installing, check and clean your masonry chimney system thoroughly. If in doubt about its condition, seek professional advice. By law, all units must be installed in a masonry fireplace with no exceptions.

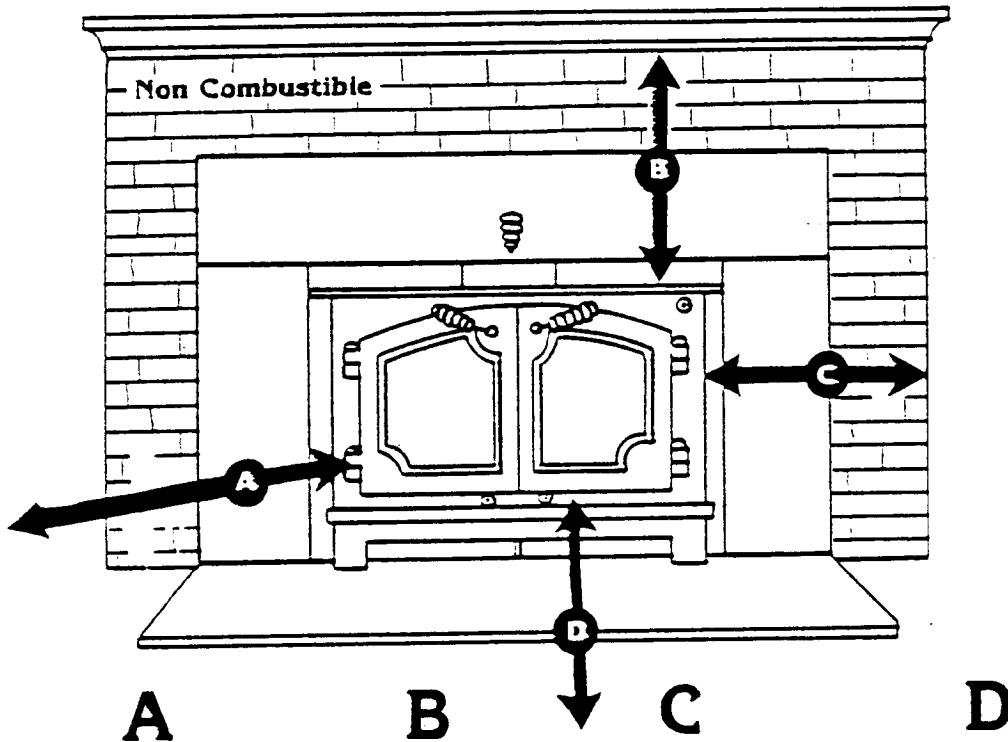
Floor Protection



In the case of all models, make sure floor protection and hearth will meet standards required for clearances to combustible.

The noncombustible hearth (raised or flush) with the floor should extend at least 18" in front of the insert door and 8" to all sides of the insert. An approved floor protector should be used when the existing hearth does not meet minimum requirements— $\frac{1}{8}$ " thick of noncombustible material minimum.

The existing fireplace shall meet or exceed the clearances required for each insert.



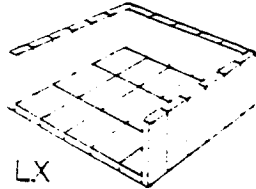
	To Side Wall	Above To Mantel	To Side Combustible	To Front Combustible
LX	24" 60.96 cm	37" - 30" with deflector 76.2cm-48.26cm with deflector	18" 45.72cm	41" 104.14cm
X	24" 60.96 cm	26" - 19" with deflector 93.98cm-48.26cm with deflector	15" 38.0 cm	36" 91.44cm
FL	24" 60.96 cm	18" 45.72cm	12" 30.48cm	36" 91.44cm

*A 6" deflector plate will allow a reduction of 7" to mantel measurement on both the X and LX models, but cannot be used on the FL. See your dealer for information on the deflector approved for your unit.

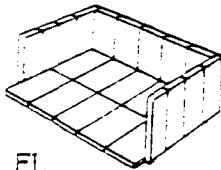
CLASSIC INSERT

Firebrick Assembly

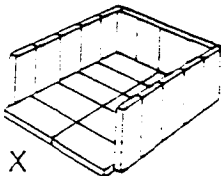
Firebrick is included to protect and extend the life of the steel and radiates heat from the fire evenly throughout unit. Below are the installations of the firebrick for each model:



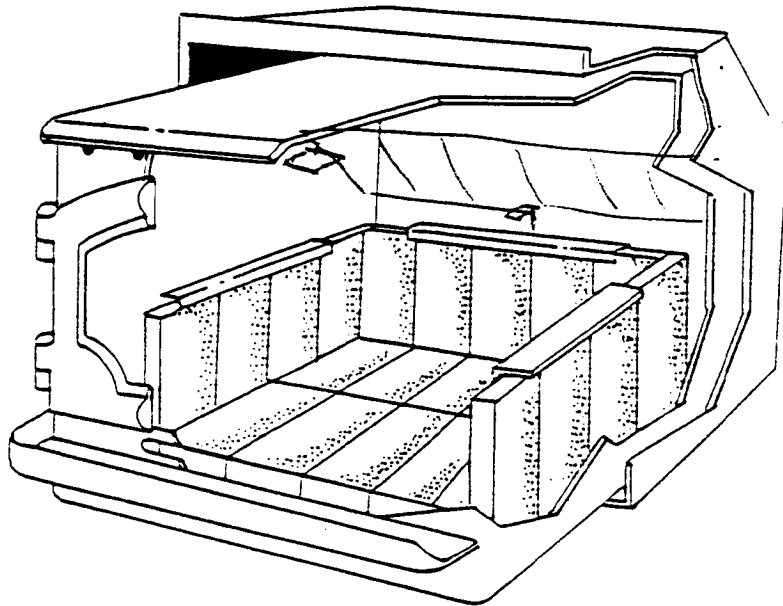
LX
6 on each side
5 across back
15 on floor



FL
4 on each side
5 across back
10 on floor



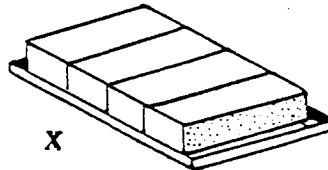
X
5 on each side
4 across back
10 on floor



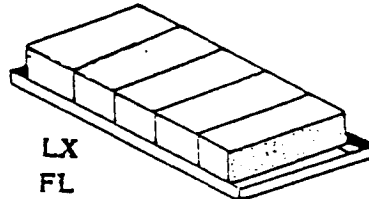
Baffle Assembly

Units come with either steel or masonry baffles. The steel baffle will be preinstalled and requires no installation. The masonry baffle on the other hand requires installation.

- (1) make sure steel frame support is in place at top of firebox.
- (2) Position bricks along frame through flue opening, center (see illustration for proper number and position of brick).



X

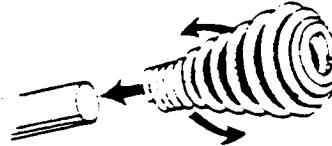


LX
FL

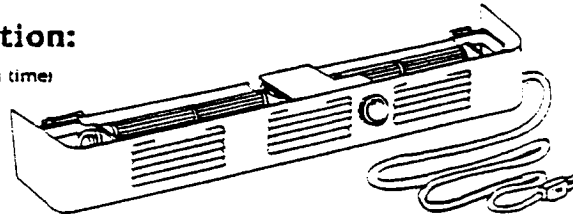
Final Assembly

Finish installation by installing doors and applying spring handles to doors and draft controls.

NOTE: To install the spring handles simply push spring handle down over the metal post while at the same time turning counterclockwise. This will allow the spring handle to open enough to allow for easy placement over the metal post.



Electrical Blower Installation: Optional (Not available in Canada at this time)



As an option, an electrical blower may be purchased with the unit. The blower draws cool air from the room and circulates it at a higher rate around the convection chamber. This allows for increased air circulation in heating the home.

1. To install, first plug in and visually inspect to make sure the blower operates and that the protective insulation is in place and not impeding the workings of the motor. The insulation must be in place or severe electrical problems may occur. If insulation is missing, contact dealer for replacement.
2. Once this has been done, place blower open side up with the air intake facing out (see placement on page 2) under the ash lip in front of the cool air intake of the convection chamber.
3. Shift the blower to the left so securing clip comes into contact with the stove wall under the ash lip. Now shift the blower to the right so the right side clip comes into contact with the stove wall. This will secure the blower into place, be sure to center placement.
4. Care must be taken in the positioning of the electrical cord. Route away from the insert and from traffic patterns. Talk to your dealer concerning suggestions applying to cord placement in your home.

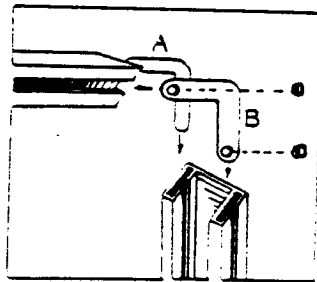
Installation Illustrations:



Operation:

1. The blower is equipped with a variable speed motor which allows for ease in adjusting motor speed and air flow around convection chamber.
2. To operate, plug in and turn speed control knob (located on the front side) all the way counterclockwise. (Knob turns freely, do not force it.) This is the OFF position of the blower motor.
3. Now turn knob clockwise until it clicks. This is the blower's fastest setting. To slow blower, simply continue adjusting clockwise to the desired speed.
4. When not in use, **ALWAYS TURN THE BLOWER OFF**

Optional Trim Assembly



- A Front Corner Bracket
B Rear Corner Bracket

If purchased with brass or nickel trim.

Parts:

- 3 trim strips
- 4 angle brackets with set screws.
- Allen wrench.

1. Place trim face down on floor as it would appear on insert.
2. Place corner brackets in appropriate slots.
Small corner brackets will go to the front face of trim
Large corner brackets with screw holes will go in back
3. Once in place, insert set screws and firmly secure with the Allen wrench provided.
4. Slide completed trim over panels. In some cases, overhanging mantles may necessitate the pulling of the insert out slightly in order to place trim over the panels.

Operation

WARNING: - TO BUILD A FIRE IN IGNORANCE OR DISREGARD THE INFORMATION CONTAINED IN THIS SECTION CAN CAUSE SERIOUS PERMANENT DAMAGE TO THE UNIT AND VOID YOUR WARRANTY!!

First Fire

When your installation is completed and inspected you are ready for your first fire.

1. Set open both damper and primary draft controls.
2. Open firebox doors and build a small fire using paper and dry kindling.* Secure doors on the firebox and wait a few minutes for a good updraft in the flue to establish a good fire.
3. Now place two or three **THOROUGHLY DRIED** logs on the burning kindling and reseal doors. Open secondary draft controls above loading doors gradually as the fire builds. The secondary draft is a new feature in Lopi stoves that helps provide a more efficient burn by helping to create secondary burning of unburned volatile wood vapors that accumulate around the baffle. The secondary draft along with the new airwash allows for a cleaner burning stove and helps eliminate creosote buildup on the glass doors.
4. After about 30 to 45 minutes when the wood has begun to burn strongly, the draft and damper controls should be adjusted down to keep the fire at a **MODERATE LEVEL**. This allows the heat to be transferred through the stove rather than up the chimney. Be sure to leave secondary draft open.

WARNING: NEVER BUILD A ROARING FIRE IN A COLD STOVE. ALWAYS WARM YOUR STOVE UP SLOWLY!

5. Once a bed of coals has been established you may adjust the damper and draft controls to a low setting to operate the unit in its most efficient mode. **NEVER COMPLETELY CLOSE DRAFT AND DAMPER DOWN DURING OPERATION!** Doing so can lead to a dangerous build-up of gas vapor within the stove.
6. During the first few fires, keep the combustion rate at a **MODERATE LEVEL** and avoid a large updraft fire. Only after a dozen such fires can you operate the stove at its maximum setting in the updraft mode, and **only** after the metal has been warmed.
7. For the first few days the stove will give off an odor from the paint. This is to be expected as the high temperature paint becomes seasoned. Burning the stove at a very high temperature the first few times may damage the paint. Burn fires at a moderate level the first few days, as stated before!
8. Place nothing on stove top during curing process as paint may be seriously damaged.

DAILY USE:

Kindle fire in the same fashion as was done for the "FIRST FIRE". When wood is burning well (30-45 min.) adjust draft and damper controls to lessen air and maintain an efficient, slow burn. Each time the appliance is refueled, allow the fire to burn hot by opening up the damper and draft controls to full for about 15-30 minutes. This allows excess wood moisture to evaporate and get wood burning efficiently. Once wood is burning again adjust damper and draft controls down to maintain an efficient burn. It is always best to burn your stove with a bright but not roaring fire. If less heating is required, it is better to use a small amount of wood, with a bright fire, than to use a large amount of wood burned in a smoldering fashion. For an overnight-burn, load wood onto existing hot coals, open primary draft controls and let wood burn hot for about 15 minutes. Now close the primary draft controls completely and leave the secondary draft controls wide open. This will allow the stove to create an airwash over the glass, thus minimizing any creosote build-up to occur on the glass and allowing for a slow all-night burn.

DO NOT OVERFIRE

Safety Precautions in Operations

1. Use only drv. seasoned wood (dried at least one year).
2. Never use gasoline, or gasoline-type lantern fuel, kerosene, charcoal lighter, or similar liquids to start or "freshen up" fire. Keep all such liquids well away from the fireplace accessory while in use.
3. Do not load fuel in unit when fire is burning strongly.
4. Do not allow stove to get into an "Overfire Condition," that is, to build a fire larger and hotter than necessary.
5. Do not burn large quantities of paper or combustible materials that could create an extremely hot quick fire.
6. Keep all household combustibles at least 3 feet from wall.
7. Though an elevated fire presents no safety hazard, we recommend that you **DO NOT** use grates or andirons or other methods of supporting fuel in your unit. Build fires directly upon the brick hearth.
8. Educate children as to safety around the unit.
9. Keep the doors closed unless the optional firescreens are installed. (Note: Burning stove with doors open will minimize efficiency.)
10. Check that the stove is not starved for combustion air due to your house being air tight.

Maintenance

It is very important to carefully maintain your fireplace stove, including burning seasoned wood and maintaining a clean stove and chimney system. Have the chimney cleaned before the burning season and as necessary during the burning season, as creosote deposits may build up rapidly.

CREOSOTE

When wood is burned slowly, it produces tar and other organic vapors, when combined with moisture, form creosote. The creosote vapors condense in the relatively cool chimney flue of a slow-burning fire. As a result, creosote residue accumulates on the flue lining. When ignited this creosote can make an extremely hot fire.

WARNING: Things to remember in case of a chimney fire:
1. **CLOSE ALL DRAFT AND DAMPER CONTROLS.**
2. **CALL THE FIRE DEPARTMENT.**

WAYS TO PREVENT AND KEEP UNIT FREE OF CREOSOTE:

1. Burn stove with draft and damper controls wide open for about 45 minutes every morning during the burning season. This will burn out creosote deposits within the heating system.
2. Burn stove with draft and damper controls wide open for about 10-15 minutes every time you apply fresh wood. This allows wood to achieve the charcoal stage faster and burns up any wood vapors which might otherwise be deposited within the system.
3. **ONLY BURN SEASONED WOOD!** Avoid burning wet or green wood. Seasoned wood has been dried at least one year. (See next page.)
4. A small fire is preferable to a large smoldering one that can deposit creosote within the system.
5. Never completely close draft controls while unit is in operation. Closing draft while burning will allow unburned gas vapors to escape and be deposited within the chimney.
6. Check the chimney at least twice a month during the burning season for creosote buildup.
7. Have chimney system and unit cleaned by competent chimney sweeps twice a year during the first year of use and at least once a year thereafter or when needed.

ASH DISPOSAL

Lopi stoves feature a convenient ash lip for easy removal of ash. During constant use, ashes should be removed every few days or when they have built up to the lower draft controls. Only remove ash when fire has died-down, as in the morning. Even then, expect to find a few hot embers.

Ashes should be placed in a metal container with a tight fitting lid. The closed container of ashes should be placed on a noncombustible floor or on the ground, well away from all combustible materials, pending final disposal. If ashes are disposed of by burial in soil or otherwise locally dispersed, they should be retained in the closed container until all cinders have thoroughly cooled!



WOOD

Be sure to use only dry seasoned wood. Green wood, besides burning at only 60% of the fuel value of dry wood, deposits creosote on the inside of your stove and along the chimney. This can cause an extreme danger of chimney fire if not properly taken care of. To be called "Seasoned Wood" it must have been dried for a year.

Regardless if the wood is green or seasoned, store your wood in a well sheltered, ventilated area that will allow proper drying and storage for the year to come.

BRASS

If unit is purchased with brass doors, be sure to use only brass cleaner recommended by Lopi, purchased at your fireplace dealer. **Do not under any condition clean brass with an abrasive!**

The Brass Cleaner provided is non-abrasive and formulated to be used on all Lopi products. Apply **ONLY WHEN STOVE IS NOT IN OPERATION**, to use while stove is hot will discolor and damage brass plating. Be sure to clean and wipe off any excess brass cleaner after use, not doing so can lead to brass discoloring.

GLASS

Should soot or creosote occur on the glass during operation, clean, when stove is cold, with a paste made from water and cold wood ash. For heavier deposits use oven cleaner (such as Mr. Muscle) or an approved creosote glass cleaner.

Creosote deposits on glass is a sign that the wood being used is not completely seasoned (dried). Remember to open secondary draft controls once fire has become established and leave open during operation. This will help minimize this problem.

Warranty

LIMITED WARRANTY

LOPI INTERNATIONAL, LTD. (the Company) warrants this LOPI woodburning unit against defects in metal components and workmanship as follows:

During the first three (3) years from date of purchase, the Company will replace defective parts at no charge to the original purchaser, and will pay reasonable repair charges associated with replacement of said defective parts; provided, however, the purchaser must obtain prior agreement from the Company as to the extent said repair charges are reasonable.

During the fourth (4) and fifth (5) years following the date of original purchase, the Company will replace defective parts to the purchaser at the current factory costs regularly charged to dealers and will not assume responsibility for labor costs.

EXCLUSIONS: This limited warranty shall not include or extend to: paint, gasketing, firebrick, glass, nickel or brass trim, or to fans. Further, no warranty is extended to damage caused by or resulting from accident, improper handling or operation, abuse, or misuse, improper installation (including failure to comply with local building codes), any modifications or repairs made or attempted, or any incidental or consequential damages arising from the use or misuse of the product.

THIS LIMITED WARRANTY IS THE ONLY WARRANTY SUPPLIED BY THE COMPANY. ALL OTHER WARRANTIES, WHETHER EXPRESS OR IMPLIED, ARE HEREBY EXPRESSLY DISCLAIMED, AND PURCHASER'S RECOURSE IS EXPRESSLY LIMITED TO THE WARRANTIES SET FORTH HEREIN. SOME STATES DO NOT ALLOW THE EXCLUSION OF LIMITATION OF INCIDENTAL OR CONSEQUENTIAL DAMAGES. SO THE ABOVE LIMITATIONS OR EXCLUSIONS MAY NOT APPLY TO YOU.

This limited warranty gives you specific legal rights and you may also have other rights which vary from state to state.

To make claim under this warranty, contact the dealer from whom you purchased this unit. If your dealer cannot be reached or is unable to provide service, contact the Company. In the event the unit must be returned to the factory for inspection or repair, purchaser must ship the same shipping prepaid to Lopi International, LTD, 10850-117th Pl. N.E., Kirkland, WA 98033.

DATE PURCHASED _____ MODEL _____ SERIAL # _____



All units tested by

STOVE TESTING LAB

A Division of American Quality Assurance Corp
2721 No. Havden Island Drive
Portland, Oregon 97217