

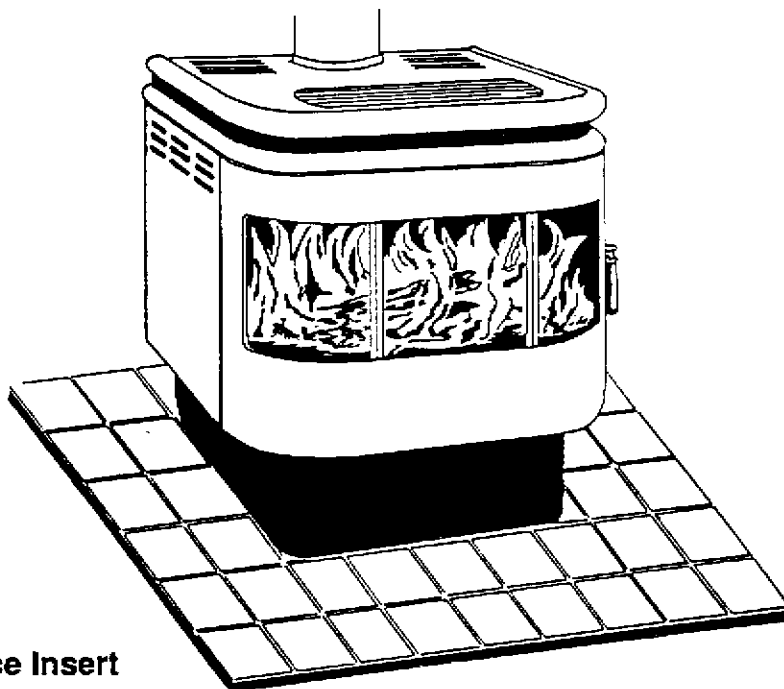
# élan™

## OWNER'S MANUAL

PREPARATION, INSTALLATION, OPERATION AND MAINTENANCE

KEEP THIS MANUAL

JANUARY 1991



- Masonry Fireplace Insert
- Freestanding
- Alcove

### MODEL ELAN-96 (E.P.A. PHASE II APPROVED)

Tested to U.L. 127, U.L. 1482, U.L. 907 Standards by:  
Warnock Hersey Professional Services, LTD., I.C.B.O. Nº: NER-219

Manufactured By:

 **Travis Industries, Inc.**

10850 117th Place N.E. Kirkland, WA 98033  
(206) 827-9505

© Copyright 1991 T.I.

# SAFETY PRECAUTIONS

- VIEWING DOOR MUST BE CLOSED AND LATCHED DURING OPERATION.
- THIS APPLIANCE MUST BE PROPERLY INSTALLED IN ORDER TO PREVENT THE POSSIBILITY OF A HOUSE FIRE. FOR YOUR SAFETY THE INSTALLATION INSTRUCTIONS MUST BE STRICTLY ADHERED TO. DO NOT USE MAKESHIFT METHODS OR COMPROMISE IN INSTALLING YOUR STOVE OR INSERT.
- CONTACT YOUR LOCAL BUILDING OFFICIAL TO OBTAIN A PERMIT AND INFORMATION ON ANY INSTALLATION RESTRICTIONS OR INSPECTION REQUIREMENTS IN YOUR AREA. ALSO, NOTIFY YOUR INSURANCE COMPANY THAT YOU ARE INSTALLING A LISTED SOLID FUEL BURNING APPLIANCE.
- NEVER BLOCK FREE AIRFLOW THROUGH THE OPEN VENTS ON THE UNIT.
- NEVER TRY TO REPAIR OR REPLACE ANY PART OF THE APPLIANCE UNLESS INSTRUCTIONS ARE GIVEN IN THIS MANUAL. ALL OTHER WORK SHOULD BE DONE BY A TRAINED TECHNICIAN.
- WAIT UNTIL APPLIANCE HAS COOLED BEFORE CARRYING OUT MAINTENANCE PROCEDURES.
- TRAVIS INDUSTRIES, INC. GRANTS NO WARRANTY IMPLIED OR STATED, FOR THE INSTALLATION OR MAINTENANCE OF YOUR APPLIANCE, AND ASSUMES NO RESPONSIBILITY FOR ANY CONSEQUENTIAL DAMAGE(S).
- ALWAYS FOLLOW THE INSTRUCTIONS IN THE OWNER'S MANUAL.
- KEEP THIS MANUAL FOR LATER USE.
- KEEP FURNITURE, DRAPES, CURTAINS, WOOD, PAPER AND OTHER COMBUSTIBLES AWAY (MIN. 36") FROM THE APPLIANCE.
- THE **ELAN-96** APPLIANCE IS DESIGNED AND APPROVED FOR BURNING OF SOLID FUEL ONLY. THE BURNING OF ANY TYPE FUEL OTHER THAN WOOD WILL VOID ALL WARRANTIES AND SAFETY LISTING OF THE UNIT. DO NOT ATTEMPT TO BURN ANY OTHER FUEL THAN SPECIFIED IN THIS MANUAL.
- THE FLUE SYSTEM SHOULD BE CHECKED A MINIMUM OF TWICE A YEAR FOR ANY BUILD-UP OF SOOT OR CREOSOTE.
- GASOLINE OR OTHER FLAMMABLE LIQUIDS MUST NEVER BE USED TO START THE FIRE OR "FRESHEN UP" A FIRE.
- DO NOT STORE OR USE GASOLINE OR OTHER FLAMMABLE VAPORS AND LIQUIDS IN THE VICINITY OF THIS APPLIANCE.
- ASHES MUST BE DISPOSED OF IN A METAL CONTAINER WITH A TIGHT FITTING LID AND PLACED ON A NON-COMBUSTIBLE SURFACE BEFORE FINAL DISPOSAL.
- DO NOT MAKE ANY CHANGES OR MODIFICATIONS TO THE APPLIANCE OR AN EXISTING MASONRY FIREPLACE OR CHIMNEY TO INSTALL THIS APPLIANCE UNLESS OTHERWISE INSTRUCTED IN THIS MANUAL.
- THIS APPLIANCE MUST BE CONNECTED TO A LISTED HIGH TEMPERATURE RESIDENTIAL TYPE AND BUILDING HEATING APPLIANCE CHIMNEY OR AN APPROVED MASONRY CHIMNEY, STANDARD CLAY OR TILE LINER OR STAINLESS STEEL LINER.
- DO NOT CONNECT THIS APPLIANCE TO ANY CHIMNEY OR DUCTING SERVING ANOTHER APPLIANCE OR ANY AIR DISTRIBUTING DUCT.

# TABLE OF CONTENTS

Introduction and Important Information _____	1
Safety Precautions _____	2
Table of Contents _____	3
Features and Specifications _____	4
Preparation for Installation _____	5
Freestanding Residential Installation (General) _____	7
Vertical Installation with Factory Built Chimney _____	10
Horizontal Installation with Factory Built Chimney _____	11
Horizontal Installation into existing Masonry Chimney _____	12
Masonry Fireplace Insert Installation _____	13
Location and Use of Controls _____	21
Operating Your Appliance _____	22
Care and Maintenance _____	26
Limited Warranty _____	30
Registration _____	31

# FEATURES AND SPECIFICATIONS

E.P.A. Phase II Approved

Large Firebox Capacity - 2.3 cu.ft.

3/16" and 1/4" Steel Plate Construction

Long Burn Time

Heavy Duty Firebrick Lining

Conveniently Located Single Push-Pull Combustion  
Air Control

19-1/2" Log Length Capacity

28 lb Wood Capacity

Heating Capacity:	Square Feet 1,200 to 1,800	
Max. BTU's per hour:	71,300 (Cord Wood)	
Overall Efficiency:	71.9% (Oregon D.E.Q. Method)	
Emissions :	7.4 Grams/hr (E.P.A. Method)	
Max. burn time:	8-10 Hours	
Flue opening:	6" Dia.	
Flue Location:	Top, 6-1/8" from Back to Flue Center	
<u>Height:</u>	<u>Floor to Stove Top</u>	<u>Floor to Flue Top</u>
Body Only	22"	23"
On Pedestal	26-5/8"	27-5/8"
Overall width:	24"	
Overall depth:	27-1/2" (Including ashlip) 30-1/2" (With optional blower)	
Fuel:	Solid Wood Only	

**NOTE:** Emissions, Efficiency, Heating Capacity and Burn Times may vary depending on actual home floor plan, type of fuel used, and moisture content. Emissions and efficiency numbers are those that have been certified by the U.S. Environmental Protection Agency (E.P.A.) and the Oregon Department of Environmental Quality (D.E.Q.).

# PREPARATION FOR INSTALLATION

**READ THIS ENTIRE MANUAL BEFORE YOU INSTALL AND USE YOUR NEW APPLIANCE.  
FAILURE TO FOLLOW INSTRUCTIONS MAY RESULT IN PROPERTY  
DAMAGE, BODILY INJURY, OR EVEN DEATH.**

Your **Elan-96** appliance comes on a pedestal as a freestanding unit. It is completely assembled except for the brass grill. The grill comes in the firebox wrapped for protection. Remove the wrapping and position the grill into the opening on top of the unit, being careful not to chip the enamel finish. It is advisable to position the grill **after** the appliance has been installed.

- |  |                     |
|--|---------------------|
| 1. Outside Air Kit.                    | Freestanding option |
| 2. Blower, Elan F/S - 96               | Freestanding option |
| 3. Blower, Elan Insert - 96            | Insert option       |
| 4. Panels, ELAN-96, Almond Enameled 8" | Insert Option       |
| 5. Panels, ELAN-96, Black Enameled 8"  | Insert Option       |

When lifting or moving the appliance, you may choose to remove the interior components of the appliance to make it lighter. Refer to Figure 17 for sequence of removal and replacement of components.

## **OPTION ASSEMBLIES:**

1. **Outside Air Kit:** The parts are supplied with this kit are intended to be used to connect your Elan-96 freestanding appliance to an outside air source. An outside air source may be required by your local building code or may improve the combustion of your appliance, if you have a tightly constructed "Energy Efficient" home. Parts of this kit mount to the left side over the sliding bar that regulates the amount of air entering the appliance. A 1" x 9" rectangular opening will need to be cut in the hearth and through the floor to admit air from outside the house.

**NOTE:** The air source must not be from a basement or other enclosed part of the house and may need to be ducted to the appliance location.

For specific installation instructions, refer to the instruction sheet enclosed in the "Outside Air Kit" shipping box.

## PREPARATION FOR INSTALLATION (Cont.)

2. **Blower, Elan F/S-96:** The blower mounts to brackets located at the lower back edge of the appliance. Mounting the blower to the appliance prior to installation will allow easier access to the back of the appliance. For specific installation instructions, refer to the instruction sheet enclosed in the "Blower, Elan F/S-96" shipping box.
  
3. **Blower, Elan Insert-96:** The blower mounts to the right side of the insert, behind the facing panels. Although it is advisable to mount the blower prior to installing the appliance, it is possible to mount the blower without removing the appliance from the fireplace. For specific installation instructions, refer to the installation sheet enclosed in the "Blower, Elan Insert-96" shipping box.
  
4. **Panels, Elan-96, Almond (or Black) Enamelled 8":** The panels attach to both sides and top of the appliance for decorative purposes. If you intend to install the ELan-96 optional Panel and trim assembly, special attention must be made to the distance the front of the insert extends out from the face of the fireplace. Mounting the panels must be carried out during the installation of the insert. For specific installation instructions, refer to the "Masonry Fireplace Insert Installation" section of this manual.

# FREESTANDING RESIDENTIAL INSTALLATION

If you are using an existing masonry chimney for your appliance ensure that the chimney is inspected and found in a safe condition. If the existing chimney is not in a safe condition, repairs should be made before installation.

If you are using a factory built chimney it must be 6" diameter and of a type suitable for use with solid fuels. Follow the manufacturer's installation instructions packaged with the chimney. Clearances cannot be less than the stated stove clearances. (refer to next page)

Wall, ceiling, or roof penetrations can only be made with U.L. listed chimney components.

**NOTE:** Your interior single wall chimney must not pass through an attic, roof space, closet or similar unsealed space, floor, ceiling, wall or partition of combustible construction.

All sections of interior pipe connector should be securely fastened together with at least three sheet metal screws. Crimped end must be installed downwards. (Fig. 1)

**Remember . . .** your chimney should extend a minimum of three feet above your roof and at least two feet higher than any obstacle within ten feet of the chimney. Minimum chimney height of fifteen feet is required. This is necessary to establish and maintain a proper draw.

Use 6" diameter, minimum 24 gauge connector with listed factory-built chimney suitable for use with solid fuels or lined masonry chimney. The chimney must be kept clean for safety and proper operation.

**Leveling:** It may be necessary to level the appliance. There are four leveling bolts, one in each corner of the bottom of the pedestal. The bolts may be removed if leveling is not necessary.

**Pedestal:** The pedestal brass trim is covered with a plastic film for protection. Remove the plastic film on completion of the installation.

## WARNING

**Do not connect this unit to a chimney flue serving another appliance .  
Do not use makeshift compromises in the installation.**

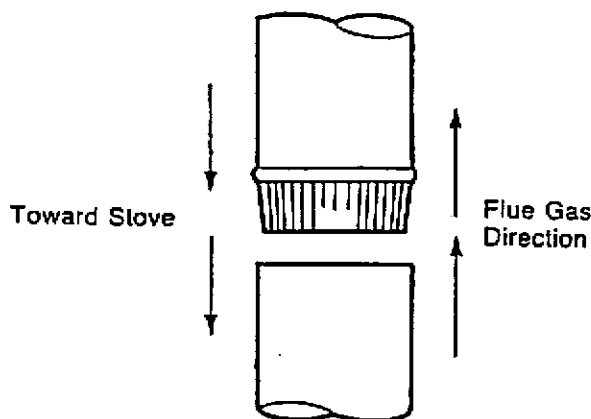


FIGURE 1.

# FREESTANDING RESIDENTIAL INSTALLATION (CONT.)

## ELAN-96 FREESTANDING CLEARANCES:

Clearance reduction to combustibles can be approved by means of N.F.P.A.-211, Warnock Hersey Professional Services, Ltd., Travis Industries, Inc., or other listed clearance reduction method. Check with your local building or inspection department for specific details.

Your installation **MUST** meet the following required **MINIMUM CLEARANCES** to combustible materials: (Fig. 2)

	Model ELAN-96 Singlewall connector Conventional Residential Installations	Model ELAN-96 Reduced clearance Conventional Residential Installations
A. Sidewall to Unit	24"	24"
B. Backwall to Unit	15"	10"
C. Corner wall to Unit	12"	10"
D. Sidewall to Connector	33"	32-1/2"
E. Backwall to Connector	18"	12-1/2"
F. Corner wall to Connector	22-1/2"	20"

### Floor Protection

Floor protection **must** be a non-combustible material extending beneath the heater and to the front, sides and back as indicated. (Fig. 3)

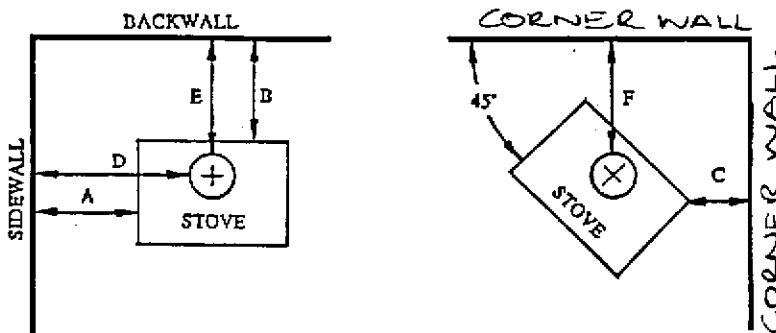


FIGURE 2

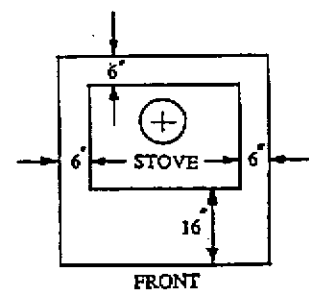


FIGURE 3.



# FREESTANDING RESIDENTIAL INSTALLATION (CONT.)

Combustible Alcove Minimum Clearances	
A. Sidewall to Unit	16"
B. Backwall to Unit	10"
C. Corner to Unit	N/A
D. Sidewall to Connector	25"
E. Backwall to Connector	12-1/2"
F. Corner to Connector	N/A
G. Max. Depth	30"
H. Min. Width	56"
Min. Height:	84"

Non-Combustible * Alcove Minimum Clearances	
A. Sidewall to Unit	6"
B. Backwall to Unit	2"
C. Corner to Unit	N/A
D. Sidewall to Connector	15"
E. Backwall to Connector	4-1/2"
F. Corner to Connector	N/A
G. Max. Depth	30"
H. Min. Width	36"
Min. Height to Stove Top.	6"

\* The ELAN-96 Freestanding Stove may be installed in a masonry non-combustible alcove which conforms to the National Building code requirements for masonry fireplaces and chimneys. To prevent overheating of the stove, air space of 2" to the rear, 6" to the sides and at least 6" to the top of the stove is required. (Fig. 4)

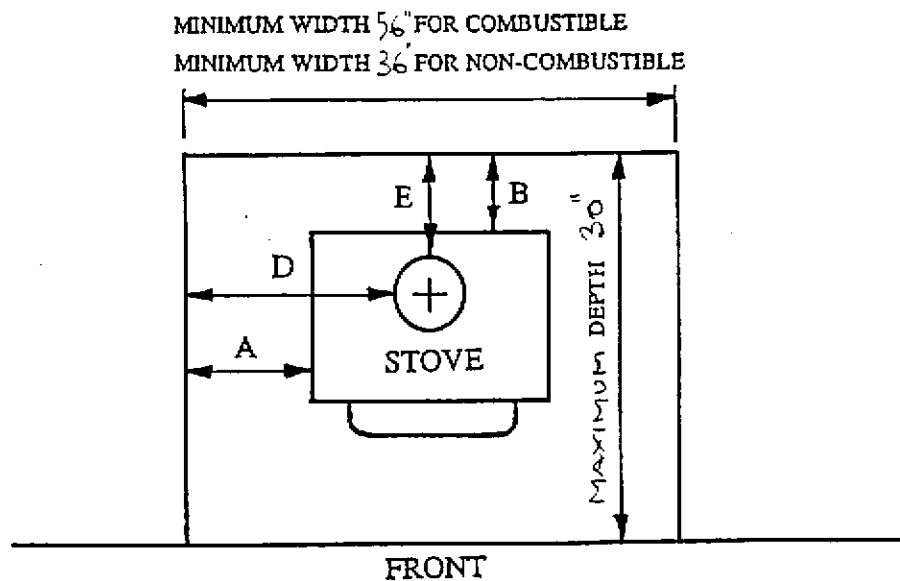


FIGURE 4.

## COMPONENTS REQUIRED FOR REDUCED CLEARANCE CONVENTIONAL RESIDENTIAL AND ALCOVE INSTALLATION :

One of the following listed chimney connectors and compatible chimney systems with a ceiling support box that extends at least 2" (50 mm) below the ceiling is required.

- DURA - VENT model DVL connector with DURA - PLUS chimney
- SECURITY model DP connector with SECURITY model ASHT or S2100 chimney
- AMERI-TEC model DBSP connector with model HS chimney
- METALFAB model DW connector with model TG chimney

# FREESTANDING RESIDENTIAL INSTALLATION (CONT.)

## VERTICAL INSTALLATION WITH FACTORY-BUILT CHIMNEY:

It is recommended that **no** ceiling support member be cut for chimney and support box installation. If it is absolutely necessary to cut them, the members must be made **structurally sound**.

1. Reposition the stove if necessary.
2. Mark the position of the flue on the ceiling.
3. Cut the ceiling hole and frame it in for support.
4. Cut the remaining holes and install the chimney and components.
5. Move the stove aside, install the floor protector, reposition the stove, and install the connector.

The following parts are required for vertical installation and are available from your dealer or professional installer: (Fig. 5)

1. 6" chimney connector.
2. Support box.
3. Flashing for the roof.
4. Storm collar.
5. Rain cap.
6. Mastic for sealing the roof flashing and storm collar.

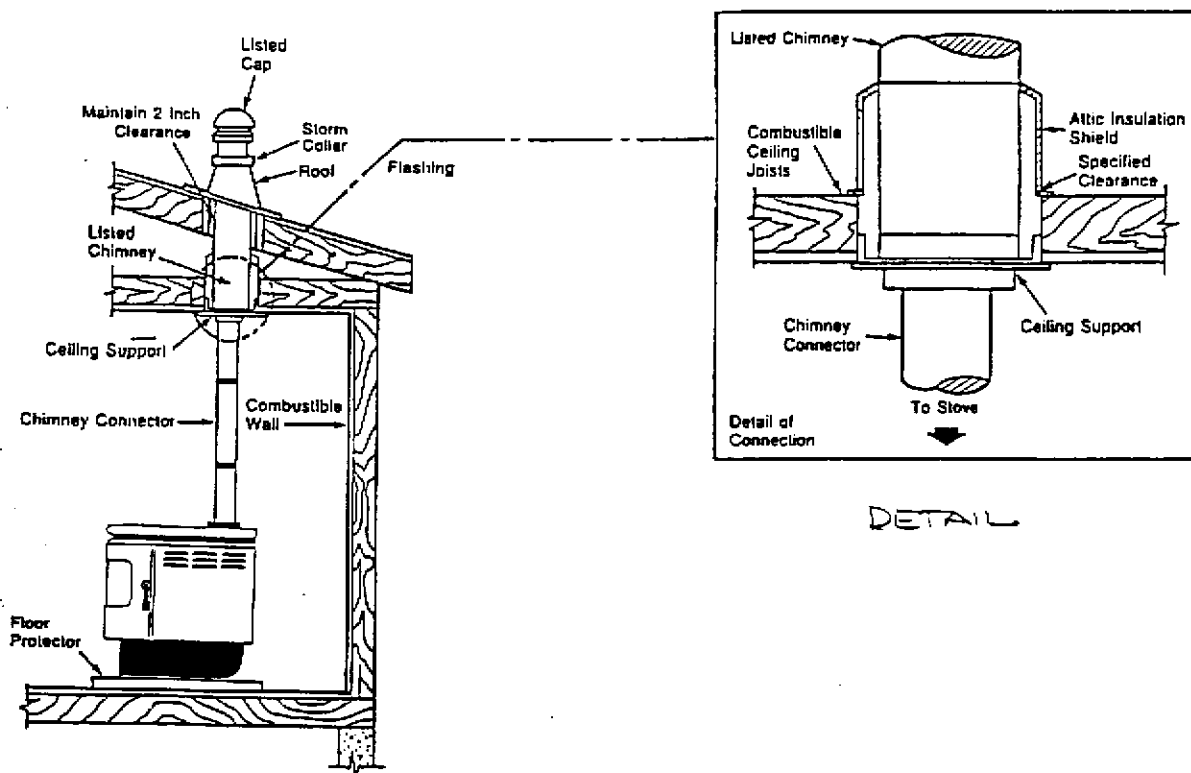


FIGURE 5.

# FREESTANDING RESIDENTIAL INSTALLATION (CONT.)

## HORIZONTAL INSTALLATION WITH FACTORY BUILT CHIMNEY :

It is recommended that **no** wall support member be cut for chimney and support box installation. If it is absolutely necessary to cut them the members must be made **structurally sound**.

### NOTE:

- 18" clearance required from horizontal pipe to the ceiling.
- Any horizontal section of pipe must incline upward from the stove at least 1/4" per foot of pipe.

1. Reposition if necessary.
2. Mark position of flue center on wall.
3. Cut wall hole and frame-in for support.
4. Cut remaining holes and install chimney and components.
5. Move stove aside, install floor protector, reposition and install connector.

The following parts are required for horizontal installation and are available from your dealer or professional installer: (Fig. 6)

1. 6" chimney connector.
2. 90° elbow.
3. Face plate and adjust. wall thimble. (listed thru-the-wall Chimney Assembly)
4. Thru-the-wall tee.
5. One tee support (Outside chimney support)

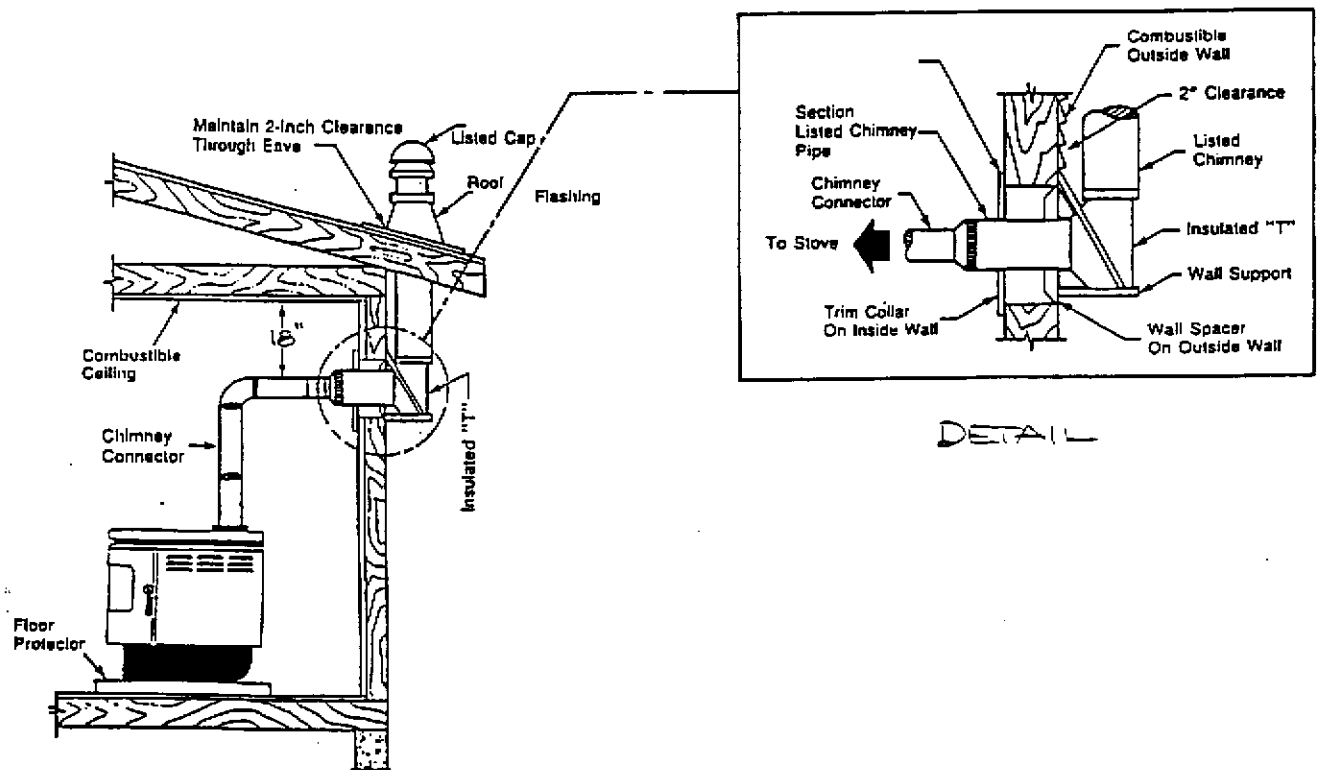


FIGURE 6

# FREESTANDING RESIDENTIAL INSTALLATION (CONT.)

## HORIZONTAL INSTALLATION INTO EXISTING MASONRY CHIMNEY:

The following parts are required for horizontal installation and are available from your dealer or professional installer: (Fig.7)

1. 6" chimney connector.
2. 90°elbow (2-45's)
3. One face plate and adjustable wall thimble. (Trim collar)

### NOTE:

- 18" clearance required from horizontal pipe to the ceiling.
- Any horizontal section of pipe must incline upward from the stove at least 1/4" per foot of pipe.
- **FOLLOW MANUFACTURER'S RECOMMENDATION FOR PIPE INSTALLATION. THESE ARE GUIDELINES ONLY.**

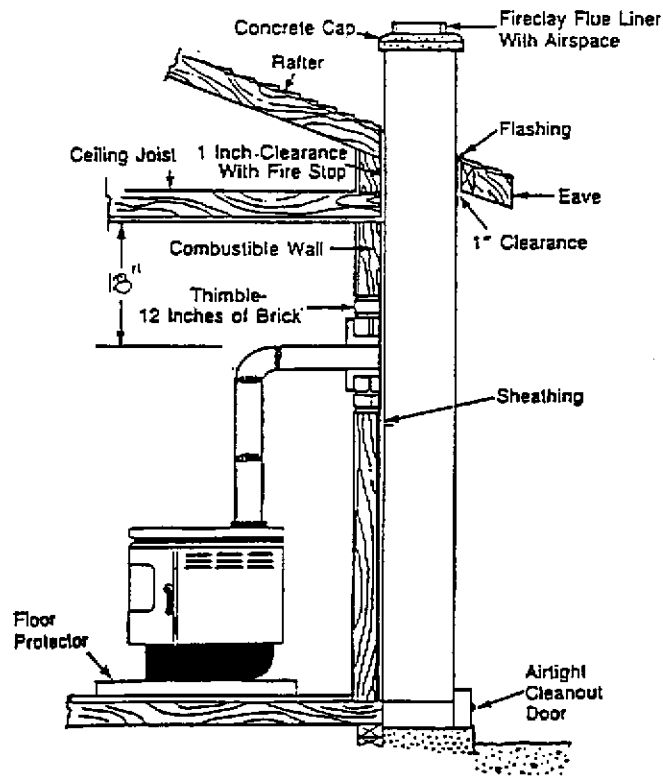


FIGURE 7

# MASONRY FIREPLACE INSERT INSTALLATION

Your Elan-96 is designed for installation into masonry fireplaces. The Elan-96 insert is approved for installation with either positive or direct chimney connection.

Direct connection uses a stainless steel or other listed chimney connector which extends from the appliance flue opening, through the damper, smoke chamber and up the chimney terminating at the first flue liner. (Figure 9)

Positive connection uses a stainless steel or other listed liner installed inside the clay liner. It is connected to the appliance flue opening and extends the entire height of the chimney, terminating slightly above the top of the chimney. (Figure 10)

Large (120 sq. inches or more) chimney openings will slow the draft of the insert. Positive chimney connection is required for optimum stove performance.

For your safety, examine the masonry fireplace and chimney prior to installation to determine that they are free from cracks, loose mortar, creosote deposits, blockages or other signs of deterioration. If evidence of deterioration is noted the fireplace insert should not be installed until repairs have been made. Any openings between the masonry of the fireplace and facing masonry must be permanently sealed.

**NOTE:** The Elan-96 appliance comes on a pedestal as a freestanding unit. To convert the appliance to a masonry fireplace insert the pedestal must be removed. This is done by removing the four pedestal bolts located in the front and back corners of each side of the appliance, then lifting the appliance from the pedestal.

Your Elan-96 has the option of being installed with or without panel surrounds. If you intend to install the Elan-96 optional panel and trim assembly, special attention must be made to the distance the front of the insert extends out from the face of the fireplace.

## INSERT / HEARTH STOVE CLEARANCES INTO MASONRY FIREPLACE

Minimum Clearances to Combustible Materials - Fireplace Insert Installation	
K. Mantle	36"
with Mantle Shield	26"
L. Top Facing	34"
with Shield	24"
M. Adjacent Sidewall	24"
N. Side Facing	12"

**NOTE:** For clearances, use clearance diagram (Figure 8) or the clearance diagram on the safety label attached to the back of the appliance.

# MASONRY FIREPLACE INSERT INSTALLATION (Cont.)

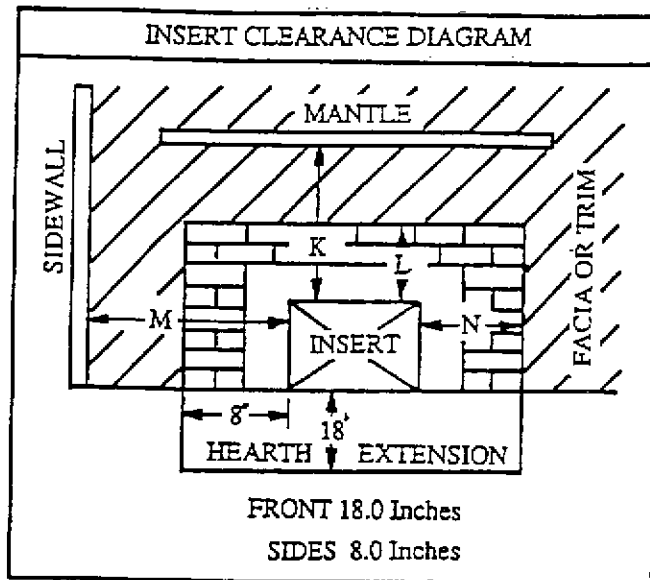


FIGURE 8.

## LEVELING THE INSERT:

If you choose to remove the interior components of the insert to make it lighter, refer to figure 17 for the proper sequence of removal and replacement.

If your fireplace is stepped down from the hearth, you need to use the leveling bolts. Remove them from the bottom of the pedestal and screw them into the threaded holes provided in the insert base.

Prior to placing the insert in the fireplace opening, measure the hearth step-down. Adjust the leveling bolts to the step-down measurements. The two rear bolts may be all that are necessary. As you install your insert, you may need to re-adjust the leveling bolts. This can be done by tilting the insert slightly.

# MASONRY FIREPLACE INSERT INSTALLATION (Cont.)

## A. Direct Connect Installation

1. Make sure the fireplace and chimney are thoroughly cleaned, inspected and repaired where necessary to make it safe.
2. Wire open or remove the firebox damper.
3. Measure the area of the firebox below the damper opening and above the lintel, see figure 12. Transfer these measurements to a piece of galvanized sheet metal (minimum of 24 gauge) and add 2" to each side. Cut the corners out as shown. Mark the position of several holes on each side (to suit your installation) and drill 1/4" diameter holes. The result should look similar to figure 13. Bend the 2" extended sides to 45 degrees. The 2" lip with the 1/4" diameter holes will allow you to screw this plate to the firebox walls.

**NOTE:** As previously referenced, if panel surrounds & trim are being installed, special attention must be made to the distance the front of the insert extends out from the face of the fireplace. This will effect the position of the appliance flue opening alignment with the hole in the block off plate, firebox damper opening and chimney. Before proceeding on with the following steps, refer to Optional Panel Assembly, Elan-96.

4. A hole must be cut in the plate to allow the 6" diameter chimney connector to pass through from the appliance into the chimney. Mark the hole position on the plate (figure 13) so that the center line of the hole is in line with the center line of the appliance flue and the firebox damper opening. A flexible stainless steel connector is most suitable if an offset is required.
5. Position the plate in the firebox from where the measurements were taken. Secure the plate with screws through the holes in the lips and seal around the outside edges of the plate with fiberglass insulation, furnace cement, or both.
6. Insert the chimney connector (flexible or rigid single wall stainless steel, 6" diameter and a minimum of 24" long) up through the hole in the plate and damper opening into the chimney. Leave enough below the plate so that you can grip to pull it down later.

**NOTE:** If you have purchased the Elan-96 optional Insert-96 blower, it must be installed at this point. For installation instructions refer to the instruction sheet enclosed in the blower shipping box.

7. Place the appliance into the fireplace opening in the correct position. Ensure that the unit is level and secure.

# MASONRY FIREPLACE INSERT INSTALLATION (Cont.)

8. Coat the inside of the appliance flue opening with furnace cement. Reach into the fireplace opening and pull the chimney connector down into the flue opening of the appliance. If ample room does not exist between the appliance top and the fireplace opening, remove the baffle bricks from the appliance, reach inside the appliance with one hand, up through the flue opening and pull the chimney connector down into the flue opening. Ensure that the chimney connector fits tight, and secure in the appliance flue opening.

Allow the furnace cement to cure for 12 to 24 hours before starting a fire in the appliance.

Follow installation instructions in reverse for inspection and cleaning.

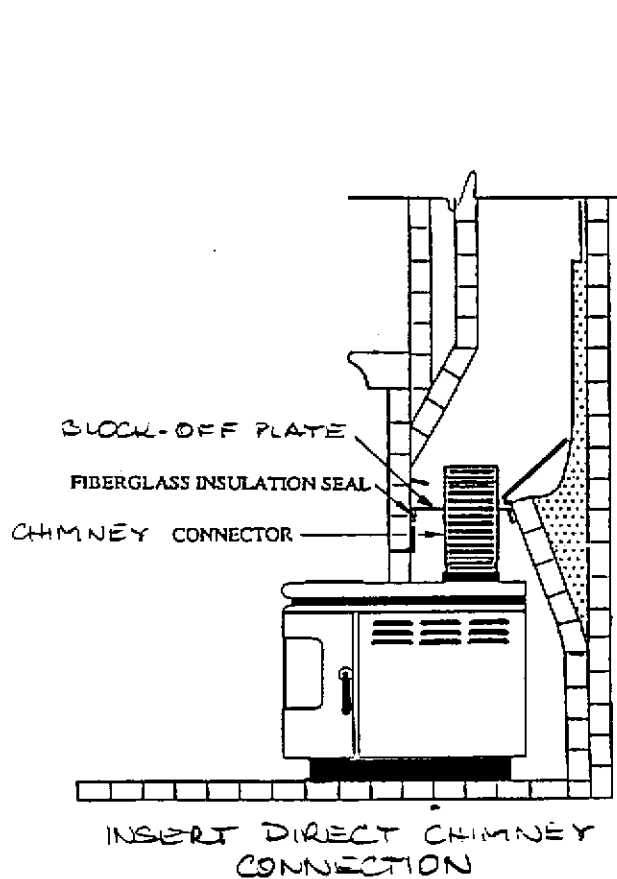


FIGURE 9.

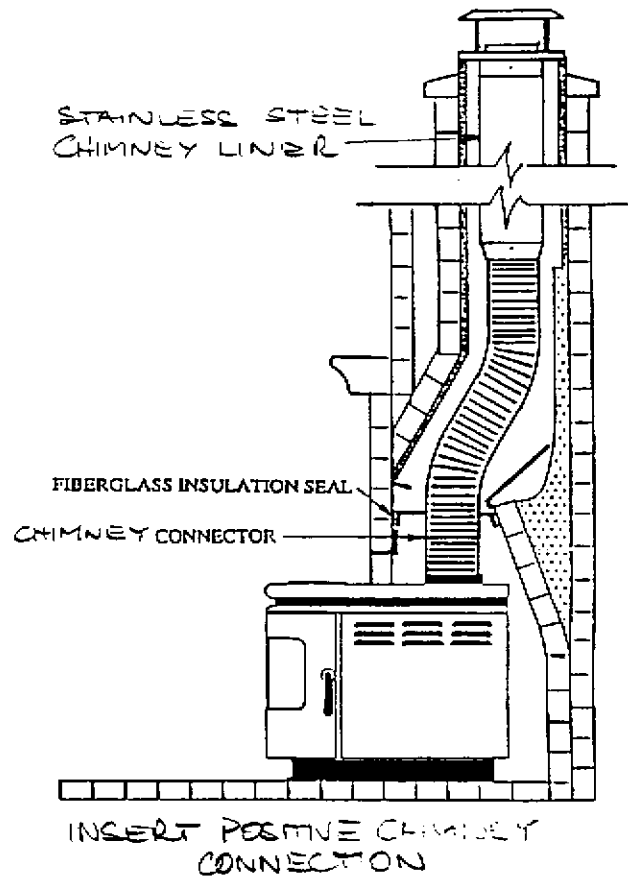


FIGURE 10.



# MASONRY FIREPLACE INSERT INSTALLATION (Cont.)

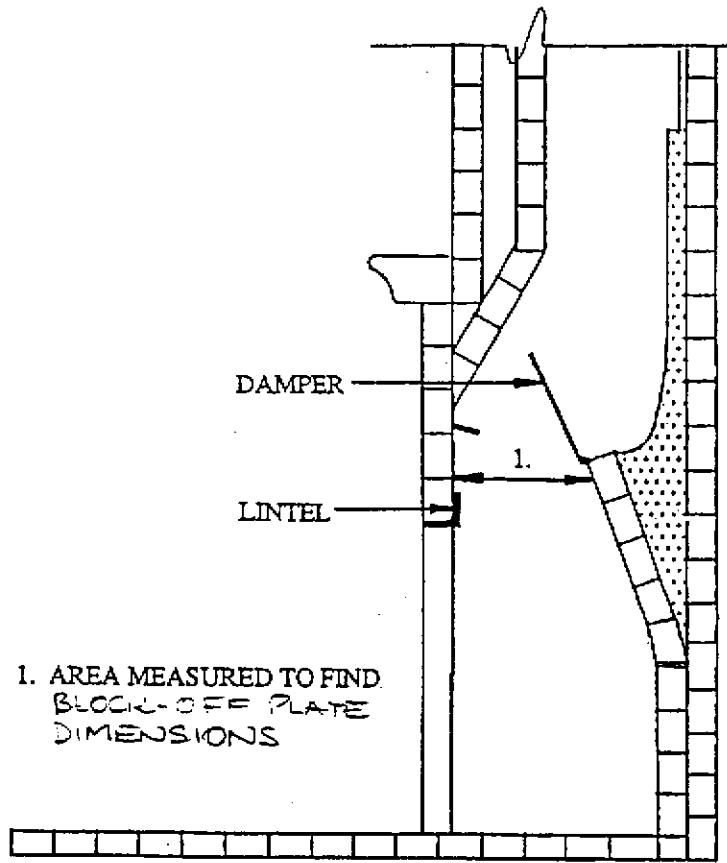


FIGURE 11.

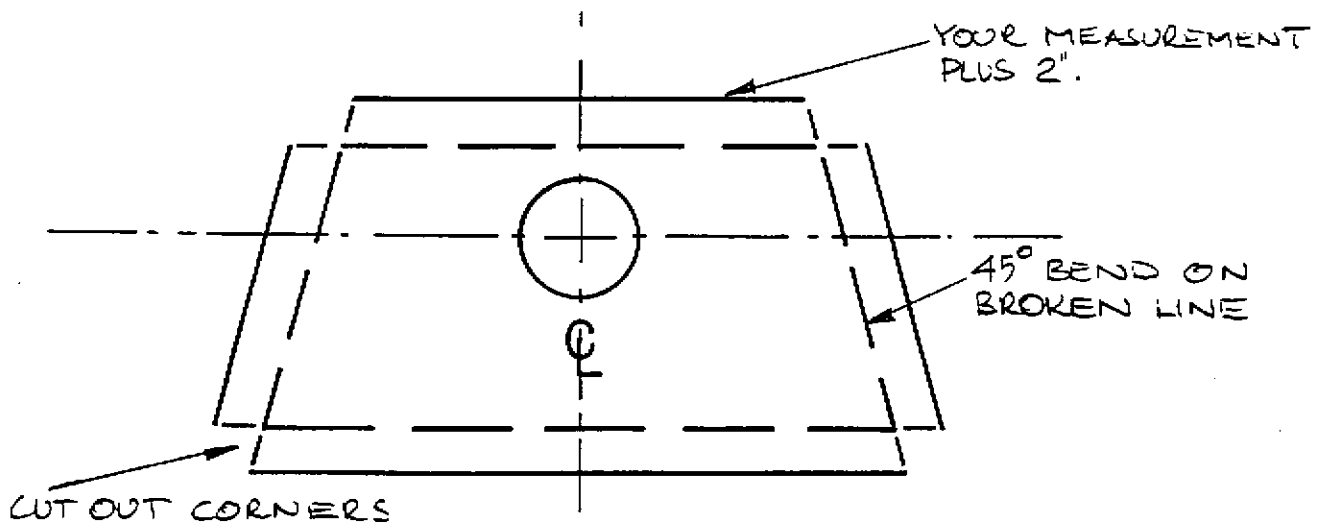


FIGURE 12.

# MASONRY FIREPLACE INSERT INSTALLATION (Cont.)

## OPTIONAL PANEL ASSEMBLY, ELAN-96

1. Before removing the panels from their box, lay a protective covering such as a towel or blanket, on the floor to protect the floor, panel and trim finishes.
2. Remove from the box marked Panels, Elan-96, one top panel (A), two identical side panels (B), one top trim (C), two identical side trim pieces (D), and one hardware assembly package (E). (Figures 13 & 15)
3. Set the insert level in the fireplace opening, with the front edge of the insert extending out from the face of the fireplace at least 11". Take a side panel (B) and clip the side trim (D) over the edge of the panel. Hold the side panel with trim against the right side of the insert and against the fireplace face. This will be the location of the panel when installation is completed. Take the measurement from the door edge to the panel face and record it so the panels will fit in the same position in the final steps of the installation.

**CAUTION:** When the insert is operating the panel face will become hot. Ensure that the door handle can be operated without touching the panel face.

**NOTE:** At this point of the optional panel assembly installation, please refer back to the Direct or Positive Connect installation instructions, step 4. When step four is completed, remove the insert and continue with steps 5 & 6 of the same instructions. Continue with step four on this page.

4. Place the insert into the fireplace opening with the front edge approximately 13" out from the fireplace face, to allow the side panel mounting screws behind the panels to be tightened.
5. Remove from the Hardware Assembly package (E) two J-bolts with nuts and washers, two joggle clips and two spacers.
6. Take a J-bolt and push it into the space between the door and the side of the insert. Pull the bolt up and hook the lower flange of the top. Slide the bolt back in the space between the top and side of the insert 1/2" farther than the measurement from step B.

**NOTE:** If the bolt will not fit into the space, loosen the two set screws, using a 1/8" hex wrench, that hold the front edges of the panel. Loosen them just enough to move the side down, allowing the bolt to slide toward the rear. Tighten the set screws again and continue.

## MASONRY FIREPLACE INSERT INSTALLATION (Cont.)

7. Remove the nut from the J-bolt and place a BLACK washer over the shaft of the bolt.
8. Place a side panel against the insert so that the J-bolt is through the upper slot in the panel edge. Place a SILVER washer over the shaft of the J-bolt behind the panel. Thread the nut on the J-bolt but do not tighten it down all the way.
9. Repeat steps 6,7 and 8 for the panel on the other side of the appliance.
10. Slide the panels forward or backward on the insert to the position established in step 3.
11. Place the top panel (A) across the top of the insert and hold it just forward of the side panels. Slide one side panel up and push the lower flange of the top back into the joggle slot. Take care in doing this that you do not chip the enamel. Line up the sides of the top and side panels and tighten the J-bolt nut to hold the panel at this height. (Figure 14)

**CAUTION:** Over tightening may chip the enamel.

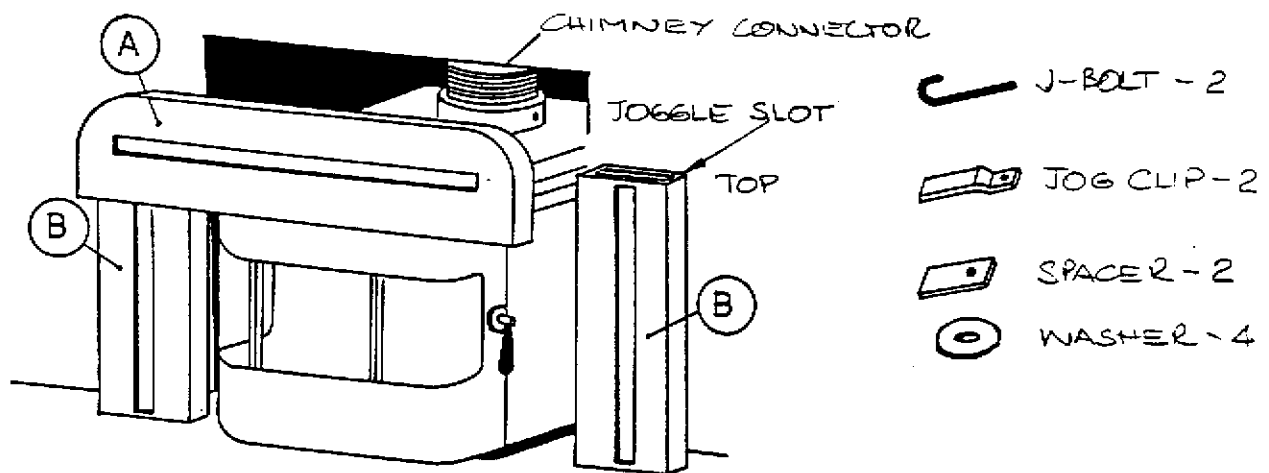


FIGURE 13.

12. Take one of the metal joggle clips from the hardware pack. Push a black screw through the hole in the clip as shown in the diagram. Place a black spacer tab over the screw and push the screw into the lower slot of the side panel. Add a silver washer to the screw behind the panel and thread a nut onto the screw. Rotate the black spacer tab up between the insert side and the side panel. Tighten the nut behind the panel to draw the parts together.

**CAUTION:** Over tightening may chip the enamel.

13. Repeat steps 11 and 12 with the other side panel.
14. Carefully remove the top panel by sliding it forward out of the joggle slot. Again, be careful not to chip the enamel.

# MASONRY FIREPLACE INSERT INSTALLATION (Cont.)

## PANEL TRIM ASSEMBLY, ELAN-96

1. Insert spline pieces (1-A) and (1-B) into the top trim piece (C) and tighten the set screws of spline 1-B with the hex key wrench provided. Do this to both sides of the top trim. (Figure 11)
2. Carefully slide the top trim (C) over the top panel, gradually working it down. Alternating sides, place the side trim pieces over the outer flange of the side panels and bring the top trim down to meet the side trim. Splines 1-A and 1-B in the top trim must mate with the corresponding slots in the side trim. Work the top trim down all the way until it seats on the top panel and the gap between the top and side trim is closed. Tighten the set screws in splines 1-B to lock the trim pieces together.

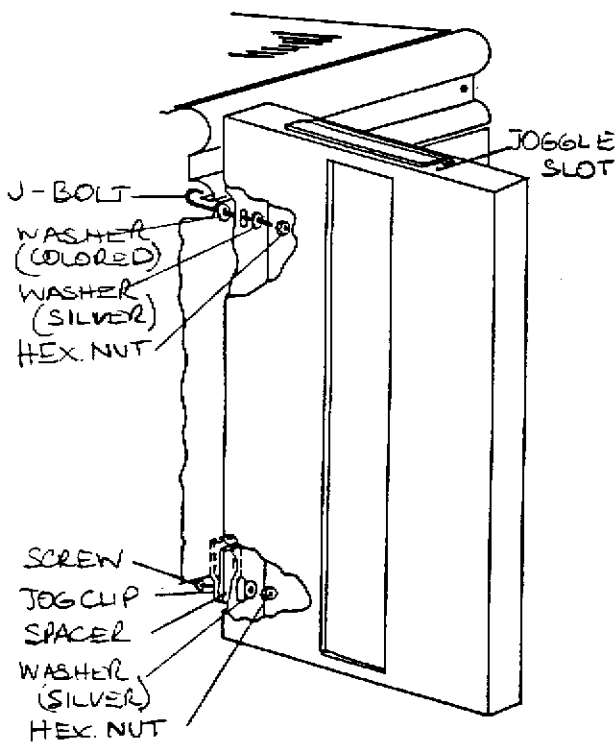


FIGURE 14.

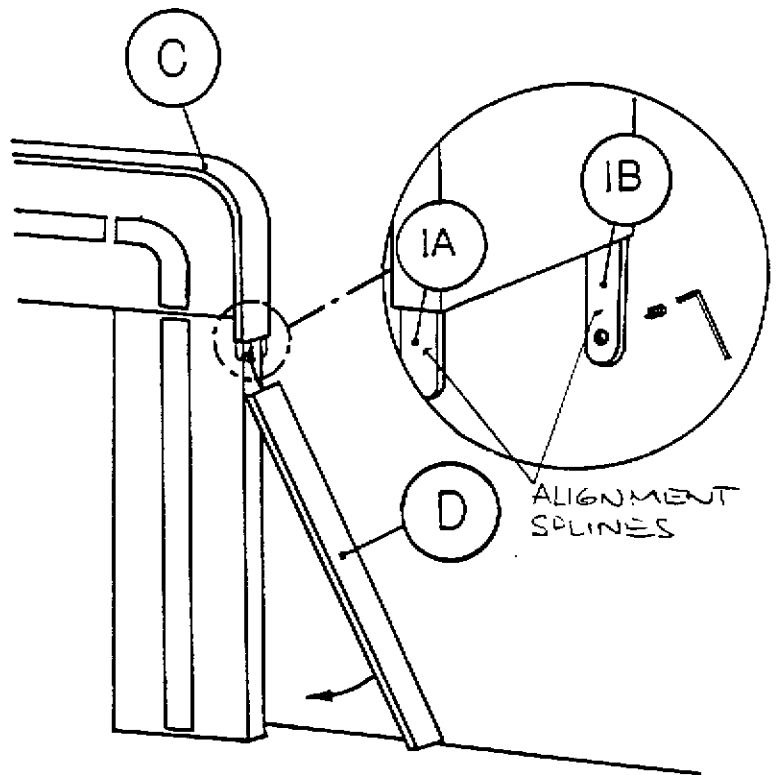


FIGURE 15.

## LOCATION AND USE OF CONTROLS

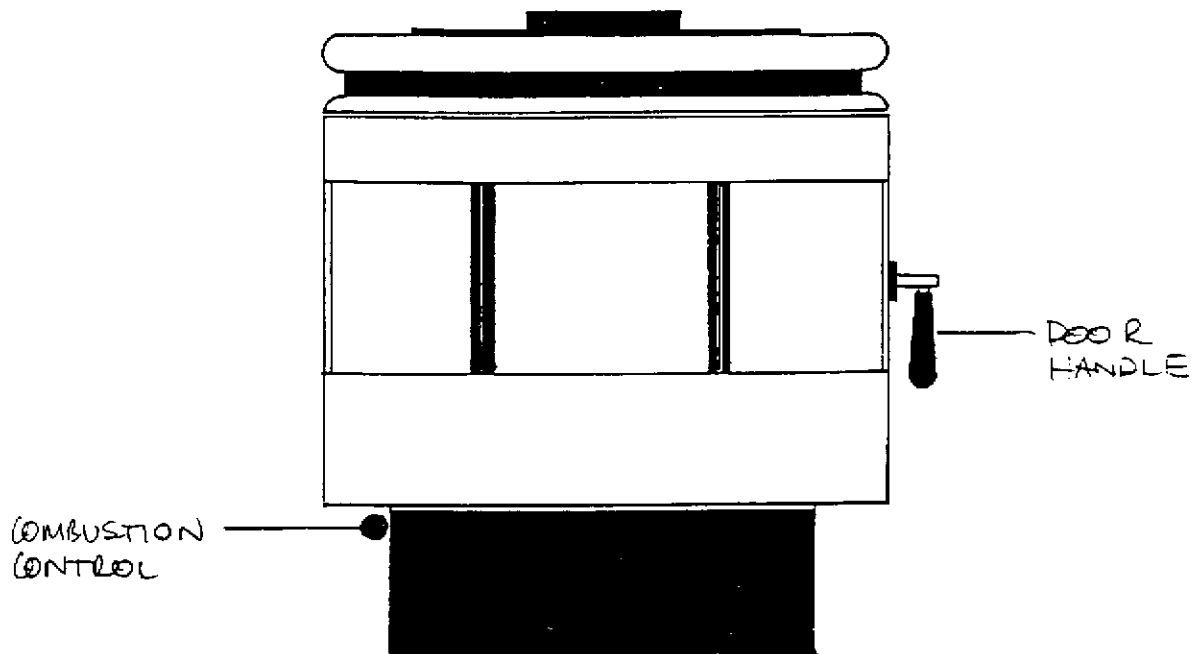


FIGURE 16.

The **Combustion Air Control** is located on the lower left side of the appliance. When the control is pushed completely in, it is in the full **closed** position. When it is pulled completely out, it is in the **open** position.

# OPERATING YOUR APPLIANCE

To build a fire in disregard of the information provided in this section can cause permanent damage to your appliance and void your warranty.

This unit is not designed for use with the door open. Burning with the feed door open could create a safety hazard.

## BURNING PROCEDURE:

1. Open door and place paper and small kindling inside unit.
2. Make sure that the Combustion Air Control is **fully open** by pulling the control knob all the way out.
3. Now, light the fire. Once the kindling is burning, add some small dry pieces of wood and close the loading door.

**NOTE:** The first two or three fires in your new appliance will cause the high temperature paint to give off a slight odor and a small amount of smoke. For best results during the curing of the paint, burn small intense fire so the unit does not overheat. The high temperature paint cures best at medium temperatures. Also, during the first few fires, there may be a slight build-up of smoke and soot on the viewing glass. This is a normal result of moisture drying out of the firebrick and even the steel. (Please see Glass cleaning note.)

4. Next add two or three medium sized dry logs (use of green or wet wood in your stove will develop creosote, cloud glass, and greatly decrease its efficiency). At this time establish a hot fire with a bed of red hot coals.

**Operation of Optional Blower:** The blower will operate in two speeds in either manual or automatic modes. Push the rocker switch to either the **start-up** or **run** positions and select either manual or automatic mode. In manual mode, the blower will start up as soon as the switch is moved. In automatic mode, the thermodisk controls the switch, and the temperature of the firebox will determine when the blower starts or stops. The blower should be **switched off** for approximately **30 minutes** after each reload or startup of the appliance, to allow the appliance to reach the proper operating temperature.

5. To slow the rate of burn, you can **close** (push in) the Combustion Air Control (lower left side of the unit) as needed.

## **NOTE:**

1. Restricting the amount of combustion air into the stove will cause **creosote build-up** on glass and in the stove and flue. This will also greatly decrease the efficiency of the stove.
2. If your home is a newer, air tight energy efficient home, you may have to supply an **outside air inlet** to prevent possible air starvation to the appliance.
3. When reloading the stove, always open the door slowly to eliminate or reduce back drafts

## OPERATING YOUR APPLIANCE (Cont.)

**CAUTION:** Do not open door of your unit when the Combustion Air Control inlet is fully closed. There is a possibility with a solid fuel burning appliance that doing so could result in a sudden flash of flames as the fire re-ignites with oxygen. However, the ELAN-96 appliance has been designed to reduce this possibility.

### BURNING YOUR STOVE EFFICIENTLY:

Your Elan-96 is designed to heat your home efficiently with the lowest amount of creosote build-up and emitted pollutants. The following steps provide a guideline to efficient burning:

On cold days, when you wish for high heat output from your stove, load the stove fully after the fire has been established and burn at a **medium-high to high** burn mode. When a comfortable heat level in your home has been reached, subsequent loadings would be of lesser amounts of wood. On warmer days, burn smaller fires, using less wood. This method will give you the most efficient burn possible.

Although the fire will burn longer at a lower setting, your stove will not produce as much heat and it will leave the stove, chimney and glass sooted and will emit a larger amount of pollutants into the environment.

For an overnight burn, establish a hot fire. Before you are ready to retire, completely fill the stove with wood. With the control in the fully open position, let the fire burn intensely for **10-20 minutes approximately**. Next adjust the **Combustion Air Control** so that a low, lazy flame is visible. During the overnight burn, you should be able to maintain a fire for approximately **8-10 hours**, depending on the type of wood used, and still have a coal bed, with no visible flame, left to start the morning fire. To re-establish a fire after an overnight burn, open the controls fully and stir the ashes to bring hot coals to the surface. Then follow the instructions under "first fire". If you dampen the fire down too low, you will not only lower the heat output, but you will be promoting creosote build-up. It will take a few days of practice to achieve the desired settings.

### COMBUSTION AIR CONTROL SETTINGS:

TYPE OF BURN RATE	AIR CONTROL SETTING
Low Burn -----	Fully Closed
Medium Burn -----	Open 1/8"
Medium High Burn -----	Open 1/4"
High Burn -----	Fully Open

**NOTE:** Air Control settings are approximate only, as installations and wood types vary.

# OPERATING YOUR APPLIANCE (Cont.)

## DAILY USE OF YOUR STOVE:

During daily use of your stove you will learn what levels of burn best take care of your heating needs. Purchase of a stove thermometer is highly recommended. With the thermometer placed on top of the unit, under the brass grill, the following approximate burn temperatures will be indicated: low 200-400 degrees F., medium 400-600 degrees F., high 600-800 degrees F.

## SOME HELPFUL HINTS:

After loading your stove, open the air control and allow your stove to burn vigorously for **approximately 10 or 20 minutes**. This will insure the burn-off of any creosote which accumulates over periods of extended use at low-settings.

## SAFETY IN OPERATION:

1. **Do not** use this appliance for any purpose other than heating. Burn solid wood fuels only.
2. **Never** use gasoline, gasoline-type lantern fuel, kerosene, engine oil, charcoal lighter fluid, or similar liquids to start or "freshen up" a fire. Keep all such liquids well away from the stove or insert while it is in use.
3. **Do not** burn garbage in your stove, or use chemicals or fluids to start the fire.
4. Use **caution** when loading fuel into stove after it is already burning vigorously; open the door slowly.
5. **Do not** overfire stove at any time. If stove **glows red**, it is **over-fired**.
6. **Keep** all household combustibles and stove fuel at least 36 inches from stove at all times. Store fuel in a dry place well away from the heater.
7. **Do not** support or elevate fire off of firebrick. Burn fire directly on bricks. **Do not** use a grate.
8. **Educate** your children of the dangers associated with fire and the presence of a hot appliance. Touching a radiating surface can cause **serious burns**. Child guards are available.
9. **Keep** the loading door **closed** at all times except to load fuel.
10. **Avoid** placing logs and fire against viewing glass.
11. **Maintain** the door and glass seal and keep them in good condition.
12. **Do not** modify your Combustion Air Control in any way.
13. **Do not** burn any kind of coal in this unit.
14. **Do not** slam door or strike glass.



## **OPERATING YOUR APPLIANCE (Cont.)**

### **SELECTING THE RIGHT WOOD:**

Choosing the kind of firewood to burn in your stove depends on what is available to you. If all you can obtain is softwoods, obviously, that will be your choice.

Softwoods such as pine and fir are easily ignited and burn rapidly with hot flames. Since they burn so easily and quickly you will have to spend more time loading your firebox, especially in the high burn mode. With softwoods it will be much more difficult to achieve an overnight burn.

If you do have a choice it is best to use the more dense hardwoods for a longer lasting fire.

The ultimate arrangement would be to have a mix of softwoods and hardwoods for ease of start-up and a longer lasting fire. Also, it is a good idea once the fire is established to use larger diameter logs stacked tightly together. This will promote a longer burn time.

Wood is typically sold by the "cord". A cord is a nicely stacked pile of logs measuring, 4 feet by 4 feet by 8 feet. **Always** look for the driest wood especially if you purchase your wood by weight. Unseasoned, wet wood is much heavier.

### **USE DRY, SEASONED WOOD**

Moisture content of the wood greatly affects the way any stove operates. Well seasoned wood (split, stacked and kept dry for at least 12 months) is your best fuel choice.

Wet wood not only causes more work for you due to the increase in weight making it more burdensome to carry, but most importantly it will not burn as efficiently. You will receive less heat output from a wet piece of wood because it takes energy to evaporate the water, energy that should be used for heating your home. When a wet piece of wood is placed in your stove it will also cause more creosote deposit on the glass in the stove, flue and chimney. As the water evaporates from the wood it will develop creosote-like material. If you can hear your wood sizzle or you can see moisture bubbling from the ends of the logs placed in a **HOT** stove, your wood is **TOO WET !!**

Another big advantage to burning seasoned wood, aside from higher efficiency and less creosote is **LESS POLLUTION !!!**

Your wood should be stored in a well sheltered, ventilated area to allow proper drying during the year to come. This is necessary even if you've purchased seasoned wood.

## **CARE AND MAINTENANCE**

### **CREOSOTE:**

Creosote is a tarry liquid or solid resulting from the distilling of wood during the combustion process. Using wet wood or burning at lower temperatures will result in a heavier creosote deposit. Creosote vapors will condense in a relatively cool chimney flue of a slow burning fire. As a result, creosote residue accumulates on the interior surface of the chimney and flue pipes, considerably reducing their diameter. When ignited, this creosote makes an extremely hot and dangerous fire. The chimney should be inspected at least once every 2 months during the heating season to determine if a creosote build-up of approximately 1/4" has accumulated. If this is the case, the creosote should be removed to reduce the risk of a chimney fire.

Most problems with creosote are due to poor chimneys with low draft and/or cold walls, and too low a rate of burn when little heat is needed during the spring and fall months. Burning green and resinous wood also creates creosote.

### **TO PREVENT CREOSOTE BUILD-UP:**

1. Burn your appliance with the Combustion Air Control wide open (800° f) for about 10-20 minutes daily during the burning season. This will reduce creosote deposits in your stove.
2. Burn the stove with the Combustion Air Control wide open for about 20 minutes every time you apply fresh wood. This allows the wood to achieve the charcoal stage faster and burns the wood vapors which might otherwise be deposited within the system.
3. Burn only seasoned dry wood. Seasoned wood is wood that has been dried for at least one year.
4. A small, more intense fire is preferable to a large smoldering one that will deposit creosote within the system.
5. Establish a routine for using your new stove. Check daily for creosote build-up until experience shows how often you need to clean it to be safe. Be aware that the hotter the fire, the less creosote is deposited on the glass and chimney system. Weekly inspection and cleaning may be necessary during times of heavy stove usage. Contact your local fire authority for information on how to handle a chimney fire. Have a clearly understood plan to handle such a fire.
6. Have your chimney system and unit cleaned by a competent chimney sweep twice a year.

### **BLOWER MAINTENANCE:**

You should remove your blower from the appliance at least twice a year for cleaning. Dust will accumulate on the fan cover as well as the fan motor and impellers. These parts should be cleaned to insure adequate flow of air and minimize strain on the motor.

## CARE AND MAINTENANCE (CONT.)

### STOVE MAINTENANCE:

It is highly recommended that you periodically lubricate any moving parts such as the door hinges and the combustion air control. This will eliminate any scraping or squeaking noises as well as allowing the parts to move freely. A high temperature lubricant, such as Permatex Industrial (R) Anti-seize lubricant, is required. Graphite or low-temperature lubricants will only last a few days.

At the end of each heating season, remove all ashes from your stove. With a wire brush, remove any scale from the inside of the firebox. Replace any broken firebrick, worn glass, and door gasketing material. (See Fig. 17 for Firebrick replacement sequence.)

### ASH DISPOSAL:

During constant periods of use ashes must be periodically removed from the stove to prevent a build-up which will affect the performance and limit the fuel load capacity.

Ashes should be placed in a metal container with a tight fitting lid. The closed container of ashes should be stored on a non-combustible floor or on the ground, well away from any combustible material, pending final disposal. If the ashes are to be disposed of by burial in soil or otherwise locally dispersed, they should be retained in the closed container until all cinders have thoroughly cooled. Other waste must not be placed in this container.

### BRASS:

Your **Elan-96** appliance comes with a solid brass grill, brass top edge trim, brass glass trim and brass door handle trim. The panel trim is anodized and the pedestal trim is brass plated. The surface of the trim will require periodic attention to retain its luster.

Use a **non-abrasive** polish on the solid brass grill, brass top edge trim, brass glass trim and brass door handle trim. Clean these **only** when the appliance is **cool**. A suitable polish is available at your dealer.

The anodized panel trim and brass plated pedestal trim should **only** be cleaned with soap and water.

**NOTE:** The use of any type of brass polish on the panel or pedestal trim will **damage** the finish.

# CARE AND MAINTENANCE (CONT.)

## FIREBOX AND BAFFLE BRICK ASSEMBLY:

The ELAN-96 has a heavy duty firebrick lined firebox. To replace the firebrick lining, follow the numerical order in the firebrick lining assembly of figure 17. The baffle assembly is also heavy duty firebrick, with a heavy steel damper plate and baffle angle. To replace the baffle assembly follow the numerical order in the baffle area of figure 17. For removal of the firebox lining or the baffle assembly, follow the numerical order in reverse.

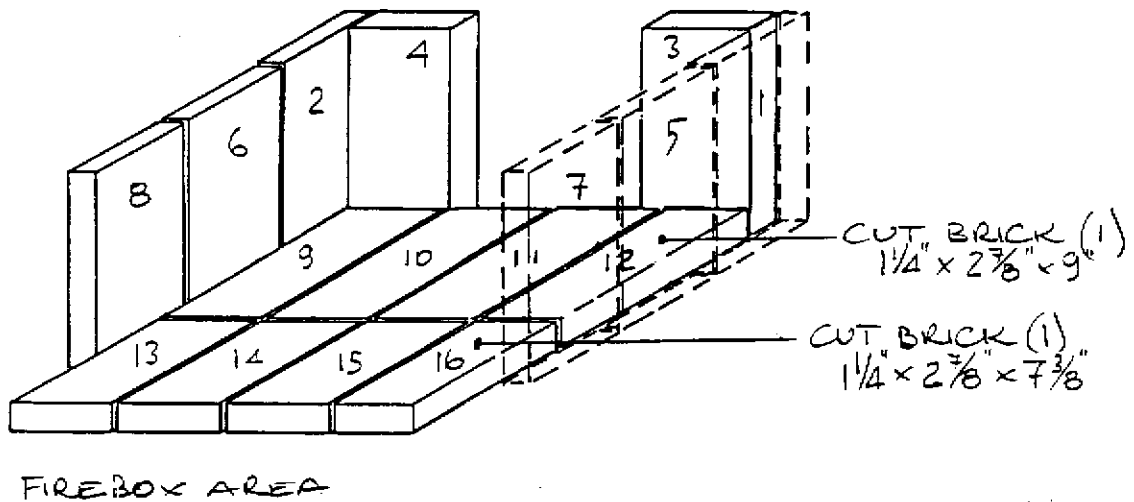
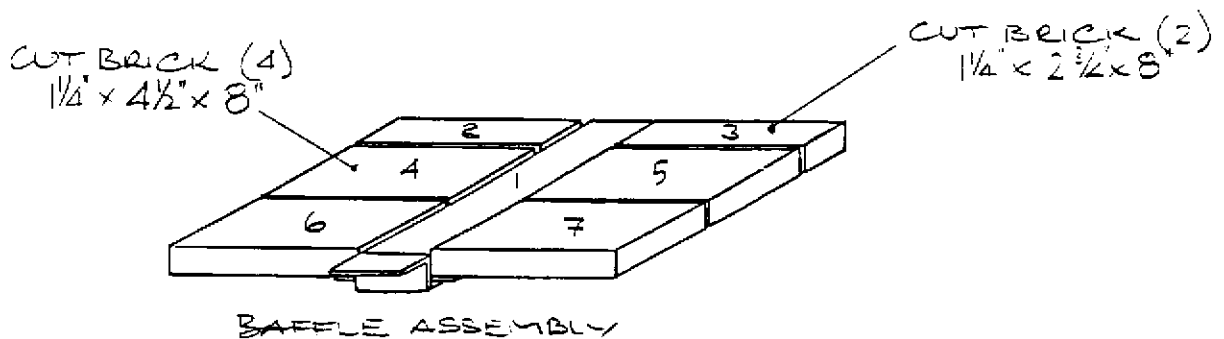


FIGURE 17

## **CARE AND MAINTENANCE (CONT.)**

### **GLASS:**

Clean the glass only when the unit is cool, using a non-abrasive cleaner. If glass cracks or breaks, let unit cool before replacing it.

### **DO NOT OPERATE UNIT WITH BROKEN OR MISSING GLASS.**

If the glass needs replacing, ensure that the appliance has cooled down. Remove the glass retainer screws and retainer and remove the glass.

The replacement glass must be ceramic type, 5mm thick. When replacing the glass it is advisable to check the condition of the glass gasket (1/2" diameter fiberglass weave), the retainer gasket (3/4" self-adhesive fiberglass channel tape) and the door gasket (5/8" diameter fiberglass weave). All these replacement parts can be purchased from your ELAN dealer.

### **PLEASE SAVE THESE INSTRUCTIONS FOR FUTURE REFERENCE.**

**THANK YOU FOR CHOOSING THE ELAN.**

**YOU'LL BE GLAD YOU DID FOR MANY, MANY YEARS!**

**élan™**

# LIMITED WARRANTY

TRAVIS INDUSTRIES, INC. warrants the ELAN-96 appliance to be defect - free in material and workmanship for five (5) years from the date of purchase, with the exception of glass, paint, enameling, refractory, removable baffle parts and blowers. The blowers and removable baffle parts are warranted for one (1) year from the date of purchase to be defect - free in material and workmanship. The glass, paint, enamel and refractory are not warranted.

Exclusions to this limited warranty include: Injury malfunction to the product, loss, damage, defect, failure to function due to accident, negligence, misuse, improper installation, alteration or adjustment of the manufacturers settings of components, lack of proper and regular maintenance, damage incurred while the appliance is in transit, alteration, or act of God.

This limited warranty excludes damage caused by normal wear and tear, such as paint discoloration or chipping of enamel, worn or torn gasketing, eroded or cracked refractory, etc. Also excluded is damage to the appliance caused by abuse, improper installation, the use of fuel or fuel loads other than specified by the manufacturer or use not set forth in the Owner's Manual. An over-fired condition will cause warped metal parts and discolored or burned-off paint.

TRAVIS INDUSTRIES, INC. is free of liability for any damages caused by the appliance, as well as inconvenience expenses, material and labor charges incurred by the removal or reinstallation of any ELAN-96 appliance. Incidental or consequential damages are not covered by this warranty. In some states, the exclusion of incidental or consequential damage may not apply.

This warranty does not cover any loss or damage incurred by the use or removal of any component or apparatus to or from the ELAN-96 appliance without the express written permission of TRAVIS INDUSTRIES, INC. and bearing a TRAVIS INDUSTRIES, INC. label of approval.

Any statement or representation of ELAN-96 products and their performance contained in ELAN-96 advertising, packaging literature, or printed material is not part of this limited warranty.

This warranty is automatically voided if the appliance's serial number has been removed or altered in any way.

Only the original purchaser of a ELAN-96 appliance is covered by this warranty. If the appliance is used for commercial purposes, it is excluded from this warranty.

No dealer, distributor, or similar person has the authority to represent or warrant ELAN-96 products beyond the terms contained within this warranty. TRAVIS INDUSTRIES, INC. assumes no liability for such warranties or representations.

THIS LIMITED WARRANTY IS THE ONLY WARRANTY SUPPLIED BY TRAVIS INDUSTRIES, INC., THE MANUFACTURER OF THE APPLIANCES. ALL OTHER WARRANTIES, WHETHER EXPRESS OR IMPLIED, ARE HEREBY EXPRESSLY DISCLAIMED AND PURCHASER'S RECOURSE IS EXPRESSLY LIMITED TO THE WARRANTIES SET FORTH HEREIN.

This warranty is limited to the time frame set forth above. In some states, time limitations on warranties do not apply.

**HOW TO USE YOUR TRAVIS INDUSTRIES, INC. FIVE-YEAR WARRANTY:** If you find your appliance to be defective in workmanship or material within a 5-year period from the date of purchase contact your local authorized ELAN-96 dealer. If your dealer is unable to repair your appliance's defect, he may process a warranty claim through TRAVIS INDUSTRIES, INC., including the name of the dealership where you purchased the appliance, your receipt showing the date of the appliance's purchase, and the serial number on your appliance. At that time, you will be asked to ship your appliance, freight charges prepaid, to TRAVIS INDUSTRIES, INC. TRAVIS INDUSTRIES, INC., at its option, will repair or replace, free of charge, your ELAN-96 appliance if it is found to be defective in material or workmanship within the time frame stated within this limited warranty. TRAVIS INDUSTRIES, INC. will ship your appliance, freight charges prepaid by TRAVIS INDUSTRIES, INC., to your regional distributor, or dealership.

To register your TRAVIS INDUSTRIES, INC. Five-Year Warranty, complete the enclosed warranty card and mail it within ten (10) days of the appliance purchase date to: TRAVIS INDUSTRIES, INC., 10850 117th Place N.E., Kirkland, Washington 98033.

## OTHER RIGHTS:

This warranty provides you with certain legal rights. You may have additional rights, which vary from state to state, in regards to this warranty.

APPLIANCE SERIAL NUMBER \_\_\_\_\_

DATE OF PURCHASE \_\_\_\_\_

DEALER NAME AND ADDRESS : \_\_\_\_\_  
\_\_\_\_\_  
\_\_\_\_\_

Complete and  
save for your  
records

Travis Industries, Inc. reserves the right to change, without notice  
product features or specifications described.



**Travis Industries, Inc.**

10850 117TH PLACE N.E. KIRKLAND, WA 98033

(206) 827-9505