



# Answer

## Wood Stove

### Owner's Manual

- Freestanding Stove
- Mobile-Home Approved
- Alcove Approved
- Hearth-Stove Approved
- Masonry Fireplace Insert
- Zero-Clearance (Metal) Fireplace Insert

#### **SAFETY NOTICE:**

If this appliance is not properly installed, a house fire may result. For your safety, follow the installation directions. Contact local building or fire officials about restrictions and installation inspection requirements in your area.



93508131

© Copyright 2001, T.I.  
4020327

\$10.00



Tested to: U.L. 1482



## **General Information**

Introduction & Important Information .....	2
Safety Precautions .....	4
Features & Specifications .....	6

## **Stove Installation**

Planning The Installation .....	7
Floor Protection Requirements.....	8
Stove Placement Requirements .....	9
Clearances .....	9
Chimney Requirements.....	10
Chimney Termination Requirements .....	11
Outside Air Requirements.....	11
Alcove Installation Requirements.....	12
Mobile Home Requirements .....	13

### **INSTALLATION DIAGRAMS**

Standard Ceiling with a Factory Built Chimney.....	14
Cathedral Ceiling with a Factory Built Chimney.....	14
Exterior Factory Built Chimney .....	15
Hearth Stove Positive Connection.....	15
Hearth Stove Direct Connection .....	16
Interior Masonry Chimney .....	16

## **Insert Installation**

Planning The Installation .....	17
Insert Size Requirements.....	18
Insert Placement Requirements .....	18
Hearth Requirements.....	18
Masonry Fireplace Requirements .....	19
Zero Clearance (Metal) Fireplace Requirements.....	19
Drafting Performance.....	19
Leveling Bolt Installation .....	19
Block-Off Plate Installation .....	20

### **INSTALLATION DIAGRAMS**

Insert with Positive Connection.....	21
Insert with Direct Connection (Masonry Fireplace).....	21
Insert with Direct Connection (ZC Fireplace) .....	22
Insert with Face Seal Connection.....	22

## **Operating Your Appliance**

Safety Notice .....	23
Before Your First Fire.....	23
Opening the Door.....	23
Starting a Fire .....	24
Adjusting the Burn Rate.....	25
Ash Removal .....	25
Optional Blower Operation .....	26
Re-Loading the Stove .....	26
Overnight Burn .....	26
Normal Operating Sounds.....	26
Hints for Burning.....	27
Selecting Wood .....	27
Dry Wood is Key .....	27
Testing Wood Moisture.....	27
Why Dry Wood is Key.....	27
Wood Cutting and Storage .....	27
Troubleshooting.....	28

## **Maintaining Your Appliance**

Daily Maintenance.....	29
Remove Ash .....	29
Clean The Glass .....	29
Monthly Maintenance.....	30
Door and Glass Inspection .....	30
Check For Creosote Buildup.....	30
Yearly Maintenance.....	31
Touch Up Paint.....	31
Blower Cleaning.....	31
Firebrick and Baffle Inspection .....	31
Door Parts.....	32
Replacing the Glass.....	32
Replacing the Door Gasket.....	32
Replacing the Door Handle.....	32
Firebox Parts .....	33
Floor & Side Firebrick Removal & Replacement.....	33
Baffle Removal and Replacement.....	34
Air Tube Removal and Replacement .....	34

## **Warranty**

Warranty .....	35
----------------	----

## **Listing Information**

Listing Information.....	36
--------------------------	----

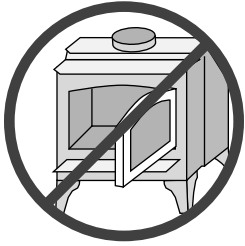
## **Optional Equipment**

Stove Legs .....	37
Pedestal.....	37
Rear Blower Installation.....	39
Outside Air Boot Installation .....	40
Surround Panels.....	41
Front Blower .....	43

## **Index**

Index.....	44
------------	----

# Safety Precautions



- The viewing door must be closed and latched during operation.
- Never block free airflow through the air vents on this appliance.



- Gasoline or other flammable liquids must never be used to start the fire or "Freshen Up" the fire. Do not store or use gasoline or other flammable liquids in the vicinity of this appliance.



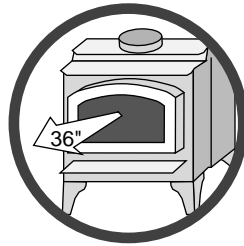
- This appliance is designed and approved for the burning of cord wood only. Do not attempt to burn any other type of fuel other than cord wood in this appliance, it will void all warranties and safety listings.



- Ashes must be disposed in a metal container with a tight lid and placed on a non-combustible surface well away from the home or structure.



- Do not touch the appliance while it is hot and educate all children of the danger of a high-temperature appliance. Young children should be supervised when they are in the same room as the appliance.



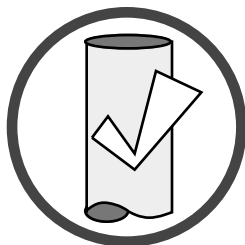
- Keep furniture, drapes, curtains, wood, paper, and other combustibles a minimum of 36" away from the front of the appliance.



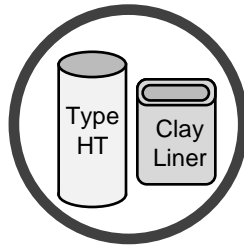
- This appliance must be properly installed to prevent the possibility of a house fire. The instructions must be strictly adhered to. Do not use makeshift methods or compromise in the installation.



- Contact your local building officials to obtain a permit and information on any installation restrictions or inspection requirements in your area. Notify your insurance company of this appliance as well.



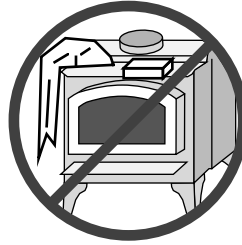
- Inspect the chimney connector and chimney at least twice monthly and clean if necessary. Creosote may build up and cause a house fire.
- Do not connect this appliance to any chimney serving another appliance.



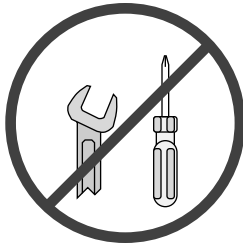
- This appliance must be connected to a listed high temperature (UL 103 HT) residential type chimney or an approved masonry chimney with a standard clay tile, or stainless steel liner.



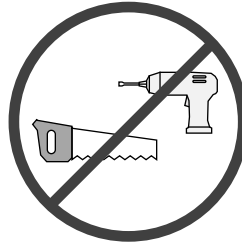
- When installed in a mobile home, this appliance must be bolted to the floor, have outside air, and not be installed in the bedroom (Per H.U.D. requirements). Check with local building officials.



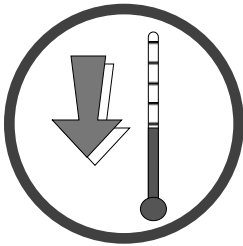
- Do not place clothing or other flammable items on or near this appliance.



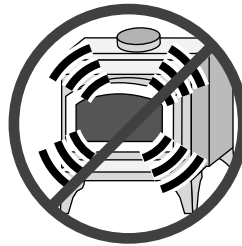
- Never try to repair or replace any part of this appliance unless instructions are given in this manual. All other work must be done by a trained technician.



- Do not make any changes or modifications to an existing masonry fireplace or chimney to install this appliance.
- Do not make any changes to the appliance to increase combustion air.



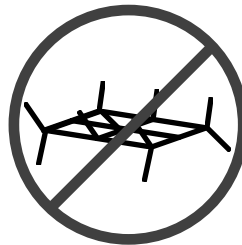
- Allow the appliance to cool before carrying out any maintenance or cleaning.



- Overfiring the appliance may cause a house fire. If a unit or chimney connector glows, you are overfiring.



- Maintain the door and glass seal and keep them in good condition.
- Avoid placing wood against the glass when loading. Do not slam the door or strike the glass.



- Do not use a grate or other device to elevate the fire off of the firebox floor. Burn the fire directly on the bricks.



- Do not throw this manual away. This manual has important operating and maintenance instructions that you will need at a later time. Always follow the instructions in this manual.



- **Travis Industries, Inc. grants no warranty, implied or stated, for the installation or maintenance of your appliance, and assumes no responsibility of any consequential damage(s).**

## Installation Options:

- Freestanding
- Freestanding in an Alcove
- Freestanding in a Mobile Home
- Masonry Fireplace Insert
- Factory-Built (Z.C.) Fireplace Insert

## Features:

- EPA Phase II Approved
- 1.6 Cubic Foot Firebox Volume
- Single Operating Control
- Accepts Logs Up to 18" Long
- Steel Plate Construction (1/4" & 3/16")
- Heavy Duty Refractory Firebrick
- Optional High-Tech Blower

## Heating Specifications:

Approximate Maximum Heating Capacity (in square feet)*	750 to 1,400 (stove) 750 to 1,200 (insert)
Maximum BTU's per Hour (Cord Wood Calculation)	66,800
Overall Efficiency (Oregon Method)	70.0 %
Maximum Burn Time	Up to 8 Hours

\* Heating capacity will vary depending on the home's floor plan, degree of insulation, and the outside temperature. It is also affected by the quality and moisture level of the fuel.

## Dimensions:

### Note:

Measure side, corner, and back clearances from the stove top.

The flue collar protrudes 3/4" above the stove top

### Insert Dimensions:

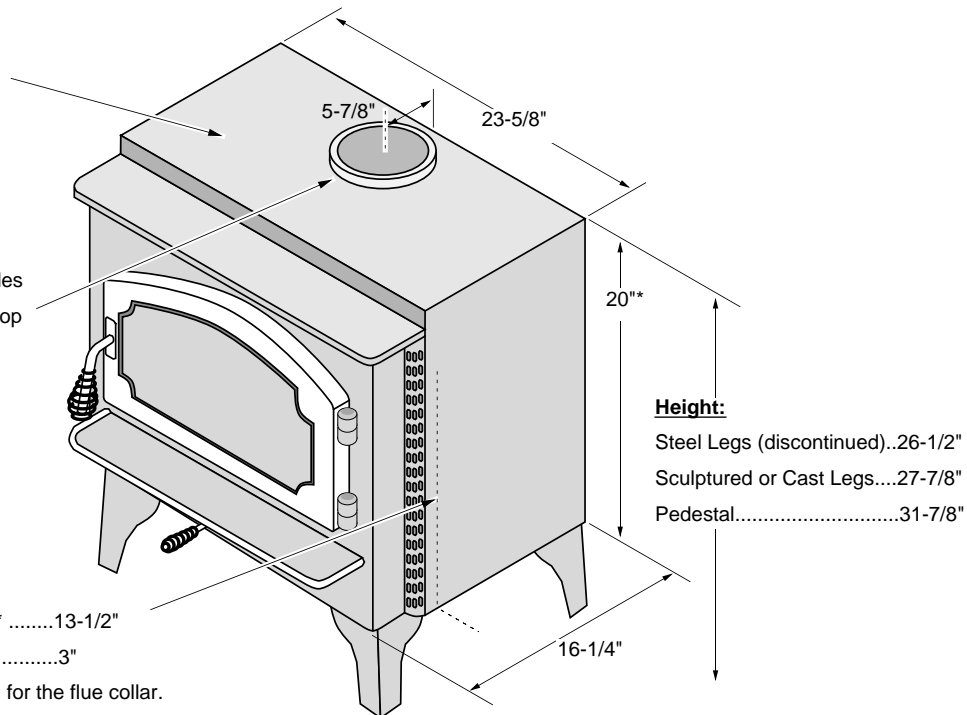
Depth into Fireplace\*\* .....13-1/2"

Onto Hearth\*\*\* .....3"

\* For inserts, add 3/4" for the flue collar.

\*\* ZC (metal) fireplaces require 14-1/2".

\*\*\* Does not include hearth protection.



## Emissions:

3.3 Grams Per Hour (EPA Phase II Approved) – Tests conducted by E.E.S.P.C.

## SAFETY NOTICE:

**Please read this entire manual before you install and use your new room heater. Failure to follow instructions may result in property damage, bodily injury, or even death. Contact local building or fire officials about restrictions and installation inspection requirements in your area.**

### *Planning The Installation*



We suggest that you have an authorized Travis Industries dealer install your stove. If you install the stove yourself, your authorized dealer should review your plans for installation.



Check with local building officials for any permits required for installation of this stove and notify your insurance company before proceeding with installation.

### Preparation for Installation

- Check for damage to the exterior of the stove (dents should be reported, scratches can be fixed by applying touch up paint).
- Check the interior of the firebox (replace cracked firebrick and make sure baffle is in place).



The stove can be lightened by removing the firebricks and baffle. (pg 26) - replace before operation.

### Stove Installation Considerations

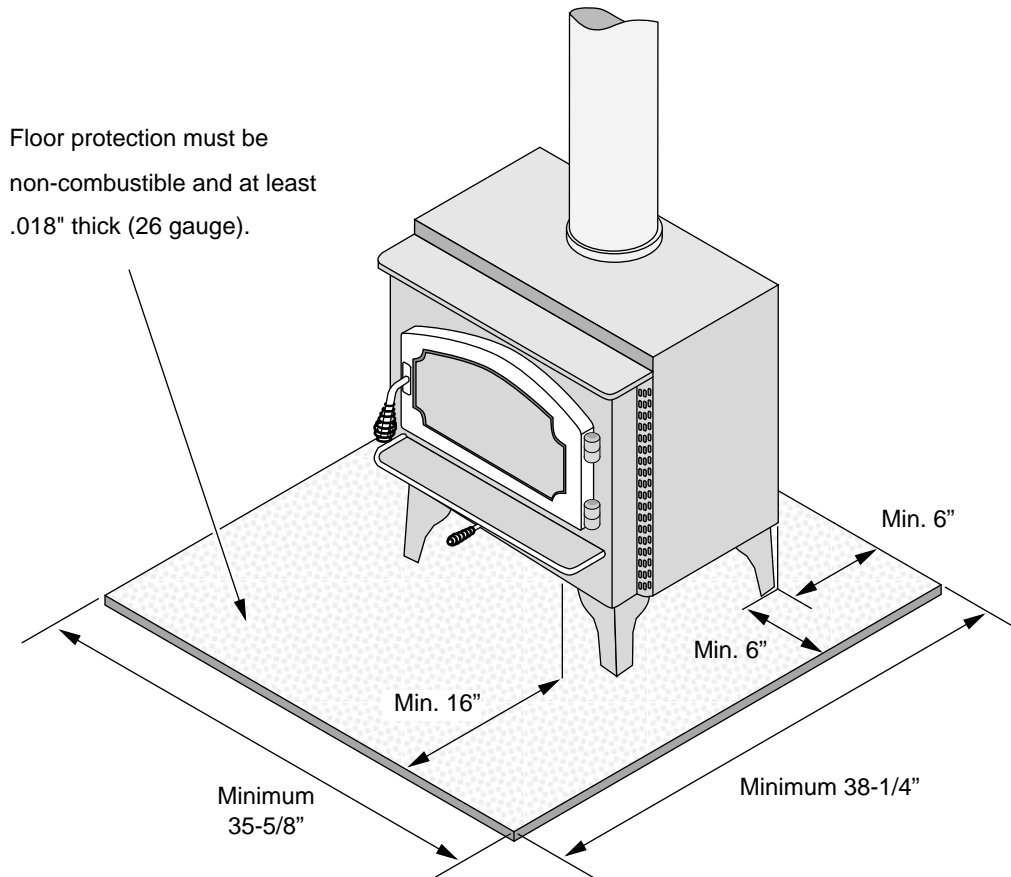
The table below details the six most common types of installations and the considerations for each type. Alternative methods of installation are available if they comply with local building codes.

<b>Installation Type</b>	<b>Considerations</b>
Standard Ceiling with a Factory Built Chimney (Page 14)	<ul style="list-style-type: none"> <li>• Requires ceiling and roof penetration</li> <li>• Provides best draft</li> </ul>
Cathedral Ceiling with a Factory Built Chimney (Page 14)	<ul style="list-style-type: none"> <li>• Cathedral style chimney support required</li> <li>• Provides best draft</li> </ul>
Exterior Factory Built Chimney (Page 15)	<ul style="list-style-type: none"> <li>• Uses two elbows to route chimney outside</li> <li>• Exterior chimney is hidden from the room</li> <li>• Elbows reduce draft</li> <li>• Optional exterior chase reduces cold air blockage</li> </ul>
Hearth Stove Positive Connection (Page 15)	<ul style="list-style-type: none"> <li>• Utilizes existing masonry or zero clearance (metal) chimney</li> <li>• Provides good draft due to full reline</li> <li>• Easier to clean than direct or horizontal hearth stove</li> </ul>
Hearth Stove Direct Connection (Page 16)	<ul style="list-style-type: none"> <li>• Utilizes existing masonry or zero clearance (metal) chimney</li> <li>• Requires construction of a "block-off plate"</li> <li>• Draft reduced due to elbows &amp; chimney cross section</li> </ul>
Interior Masonry Chimney (Page 16)	<ul style="list-style-type: none"> <li>• Utilizes existing masonry chimney (not approved for zero clearance (metal) fireplaces)</li> </ul>

## ***Floor Protection Requirements***

---

- Stove must be placed on the Travis Industries legs or Pedestal.
- Must be non-combustible and at least .018" thick (26 gauge)





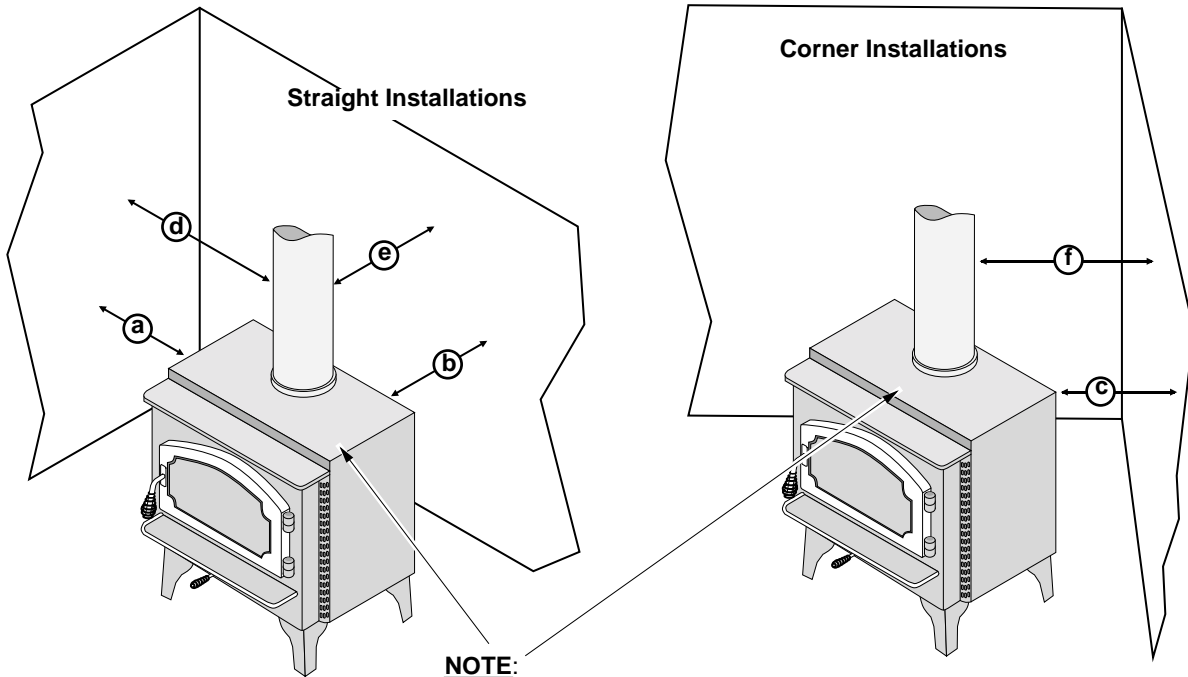
## Stove Placement Requirements



Clearances may be reduced by methods specified in NFPA 211, listed wall shields, pipe shields, or other means approved by local building or fire officials.

- Stove must be placed so that no combustibles are within, or can swing within (e.g. drapes, doors), 36" of the front of the stove
- If the stove is placed in a location where the ceiling height is less than 7', it must follow the requirements in the section "Alcove Installation Requirements"
- Must maintain the clearances to combustibles listed below (drywall, furniture, etc.):

## Clearances



**NOTE:**  
Measure clearances to the stove top.

Minimum Clearance (See the illustration below)		Singlewall Connector	Reduced Clearance*
A	Sidewall to stove	18"	13"
B	Backwall to stove	16 1/2"	9"
C	Cornerwall to stove	10"	7 1/2"
D	Connector to sidewall	27"	21 1/2"
E	Connector to backwall	19 1/2"	11 1/2"
F	Connector to cornerwall	19 1/2"	16 1/2"

\*Reduced clearance installations require one of the chimneys and connectors listed below:

- DURAVENT model DVL with DURATEC chimney
- DURAVENT model DVL with DURA-PLUS chimney
- AMERI-TEC model DCC with model HS chimney
- SECURITY model DL with SECURITY model ASHT or S2100 chimney
- METAL-FAB model DW with TG chimney
- GSW Double Wall Chimney Connector with Super Chimney Twenty-One
- SELKIRK METALBESTOS model DS connector with model SSII chimney
- I.C.C. Excel (2100-2 Can.) (103-HT USA) chimney with HP connector
- Standard Masonry Chimney with any one of the above listed connectors

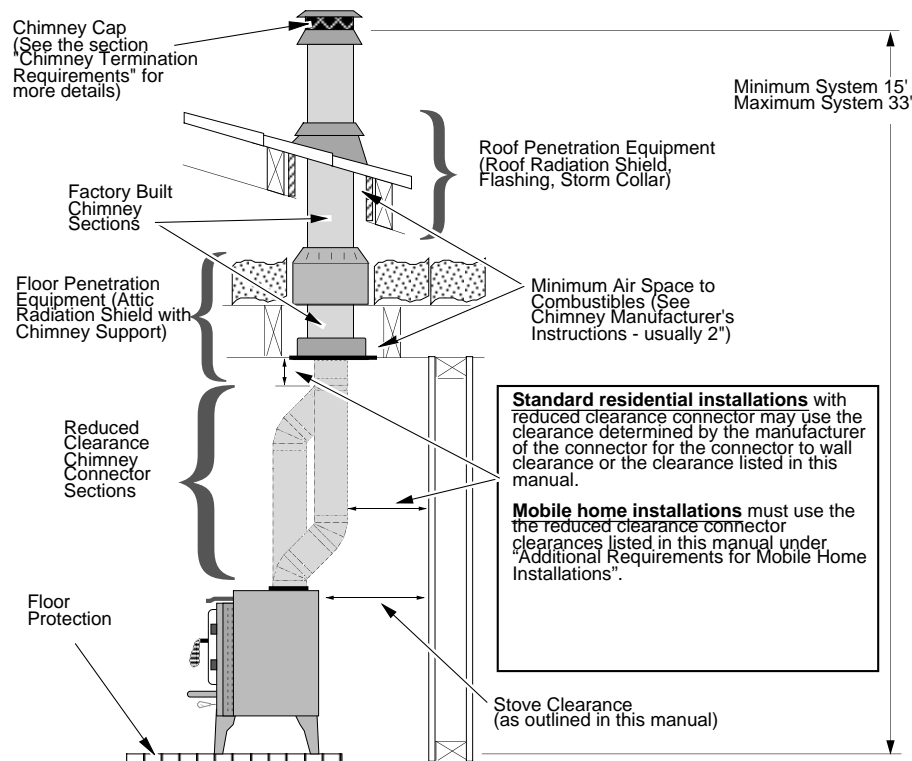
**NOTE:** Standard residential installations with reduced clearance connector may use the clearance determined by the manufacturer of the connector for the connector to wall clearance or the clearance listed in this manual. Offsets must be used to maintain the stove to wall clearance.

**NOTE:** Reduced clearance connectors may not connect to the flue collar – order an appliance adapter for the connector being used.

## Chimney Requirements

- **DO NOT CONNECT THIS UNIT TO A CHIMNEY FLUE SERVING ANOTHER APPLIANCE.**
- Chimney connector must be a minimum 24 MSG black or 26 MSG blued steel (6" diameter). Chimney must be used from the first floor or wall penetration to the chimney cap.
- Use 6" diameter type UL 103 HT chimney from one manufacturer (do not mix brands) or code approved masonry chimney with a flue liner.
- Chimney connector and chimney must be fastened to the stove and each adjoining section.
- Follow the chimney manufacturer's clearances and requirements.
- Use the chimney manufacturer's fire stops, attic guards, roof supports, and flashings when passing through a ceiling or thimble when passing through a combustible wall.
- No more than 180° of elbows (two 90° elbows, or two 45° & one 90° elbow, etc.).

**NOTE:** Additional elbows may be allowed if draft is sufficient. Whenever elbows are used the draft is adversely affected. Additional chimney height may be required to boost draft.



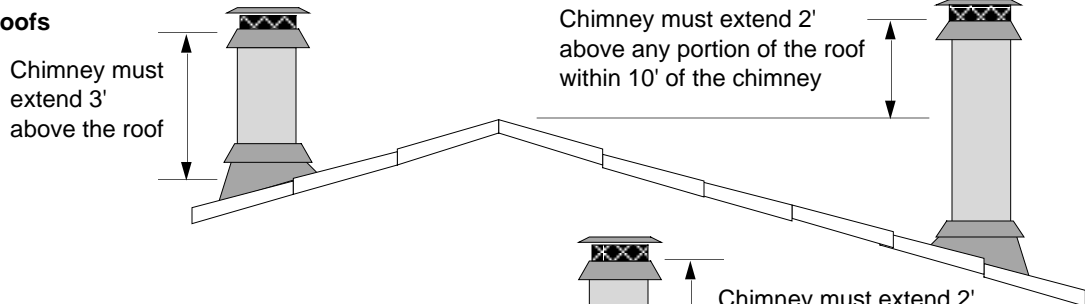
**Drafting Performance** This appliance relies upon natural draft to operate. External forces, such as wind, barometric pressure, topography, or factors of the home (negative pressure from exhaust fans, chimneys, air infiltration, etc.), may adversely affect draft. Travis Industries can not be responsible for external forces leading to less than optimal performance.

- Standard residential installations may use single-wall connector (Mobile-Homes may **not**)
- Standard residential installations with reduced clearance connector may use the clearance determined by the manufacturer of the connector for the connector to wall clearance or the clearance listed in this manual. Offsets must be used to maintain the stove to wall clearance. Mobile homes must use the clearances listed in this manual under "Additional Requirements for Mobile Home Installations".

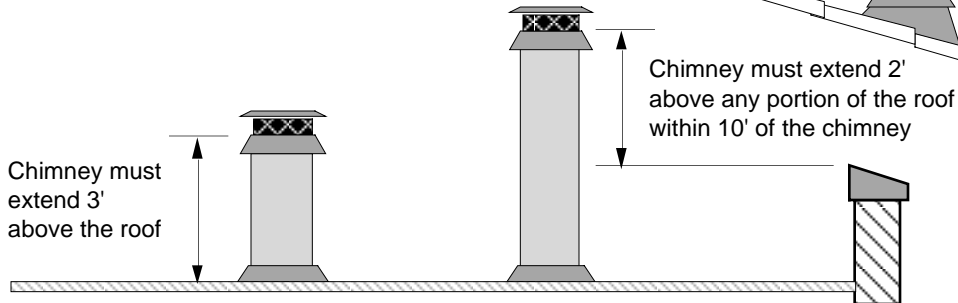
## Chimney Termination Requirements

- Must have an approved cap (to prevent water from entering)
- Must not be located where it will become plugged by snow or other material
- Must terminate at least 3' above the roof **and** at least 2' above any portion of the roof within 10'

### Slanted Roofs



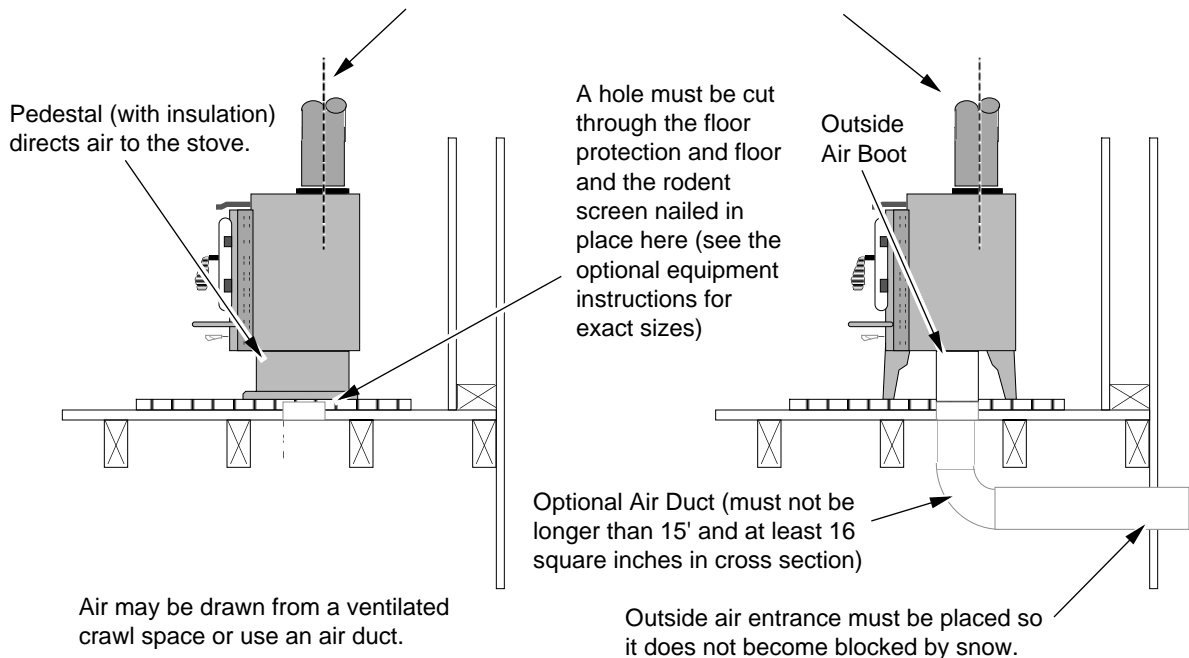
### Flat Roofs



## Outside Air Requirements

- Required for mobile homes & in certain localities (check with building officials)
- Must not be drawn from an enclosed space (garage, unventilated crawl space)
- Requires the optional outside air boot (for legs) or pedestal.

When using outside air, find a location where the chimney and outside air hole do not interfere with structural members of the home.



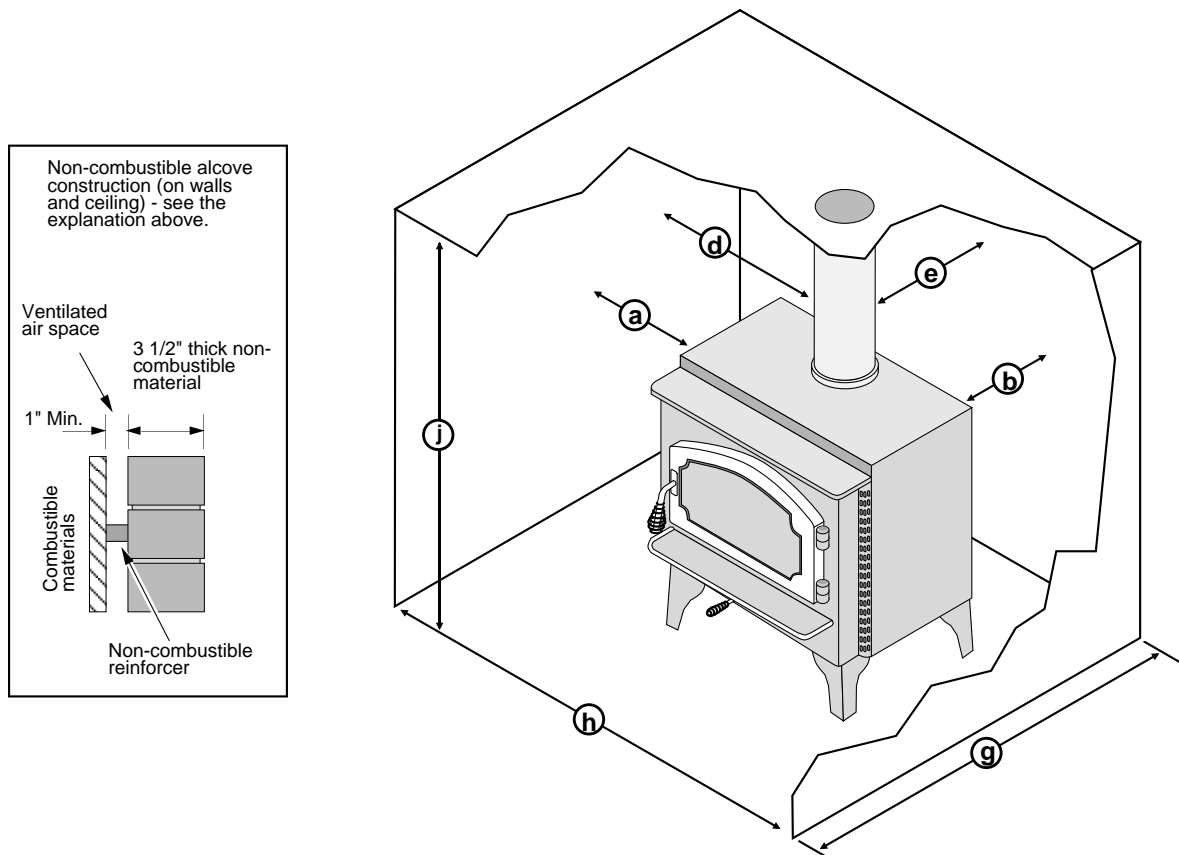
## Alcove Installation Requirements

Whenever the stove is placed in a location where the ceiling height is less than 7' tall, it is considered an alcove installation. Because of the reduced height, the special installation requirements listed below must be met.

- Chimney connector and chimney must be one of the following types:
  - DURAVENT model DVL with DURATEC chimney
  - DURAVENT model DVL with DURA-PLUS chimney
  - AMERI-TEC model DCC with model HS chimney
  - SECURITY model DL with SECURITY model ASHT or S2100 chimney
  - METAL-FAB model DW with TG chimney
  - GSW Double Wall Chimney Connector with Super Chimney Twenty-One
  - SELKIRK METALBESTOS model DS connector with model SSII chimney
  - I.C.C. Excel (2100-2 Can.) (103-HT USA) chimney with HP connector
  - Standard Masonry Chimney with any one of the above listed connectors

Minimum Clearance (See the illustration below)		Combustible Alcove	Non-Combustible Alcove
A	Sidewall to stove	13"	6"
B	Backwall to stove	9"	2"
D	Connector to sidewall	21 1/2"	14 1/2"
E	Connector to backwall	11 1/2"	4 1/2"
G	Maximum depth of alcove	48"	48"
H	Minimum width of alcove	49 5/8"	35 5/8"
J	Minimum height of alcove	84"	6" above stove top

- Alcoves are classified as combustible or non-combustible. Non-combustible alcoves must have walls and a ceiling that are 3 1/2" thick of a non-combustible material (brick, stone, or concrete). This non-combustible material must be spaced and ventilated at least 1" off of all combustible materials (walls, ceiling, etc.) to allow air to move around the non-combustible walls and ceiling. All other alcoves are considered combustible. The clearances below must be met:



## Mobile Home Requirements

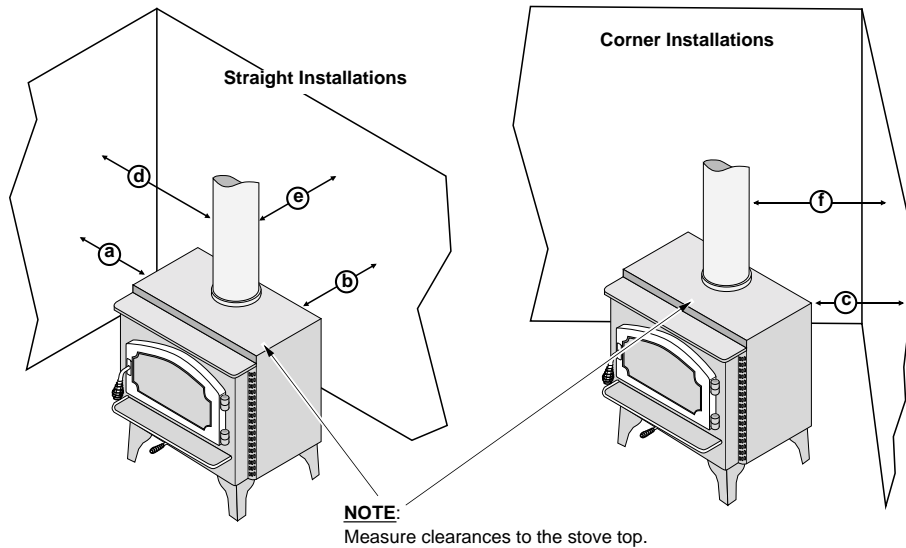
- Outside air must be installed - see "Outside Air Requirements" on page **Error! Reference source not found.11**
- Chimney connector and chimney must be one of the following types:

- DURAVENT model DVL with DURATEC chimney
- DURAVENT model DVL with DURA-PLUS chimney
- AMERI-TEC model DCC with model HS chimney
- SECURITY model DL with SECURITY model ASHT or S2100 chimney
- METAL-FAB model DW with TG chimney
- GSW Double Wall Chimney Connector with Super Chimney Twenty-One
- SELKIRK METALBESTOS model DS connector with model SSII chimney
- I.C.C. Excel (2100-2 Can.) (103-HT USA) chimney with HP connector
- Standard Masonry Chimney with any one of the above listed connectors

**NOTE:** Reduced clearance connectors may not connect to the flue collar – order an appliance adapter for the connector being used.

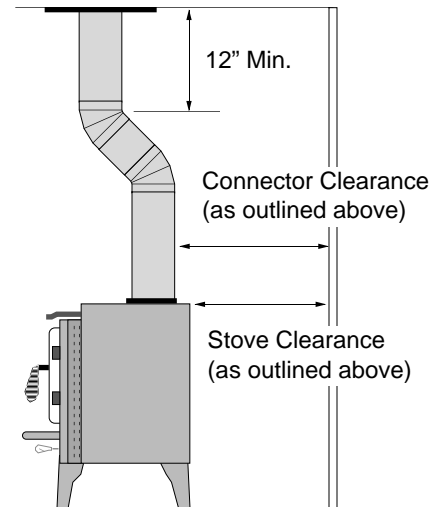
- Stove placement must maintain the following clearances to combustibles (drywall, furniture, etc.)

Minimum Clearance (See the illustration below)		Reduced Clearance Connector
A	Sidewall to stove	13"
B	Backwall to stove	9"
C	Cornerwall to stove	7 1/2"
D	Connector to sidewall	21 1/2"
E	Connector to backwall	11 1/2"
F	Connector to cornerwall	16 1/2"

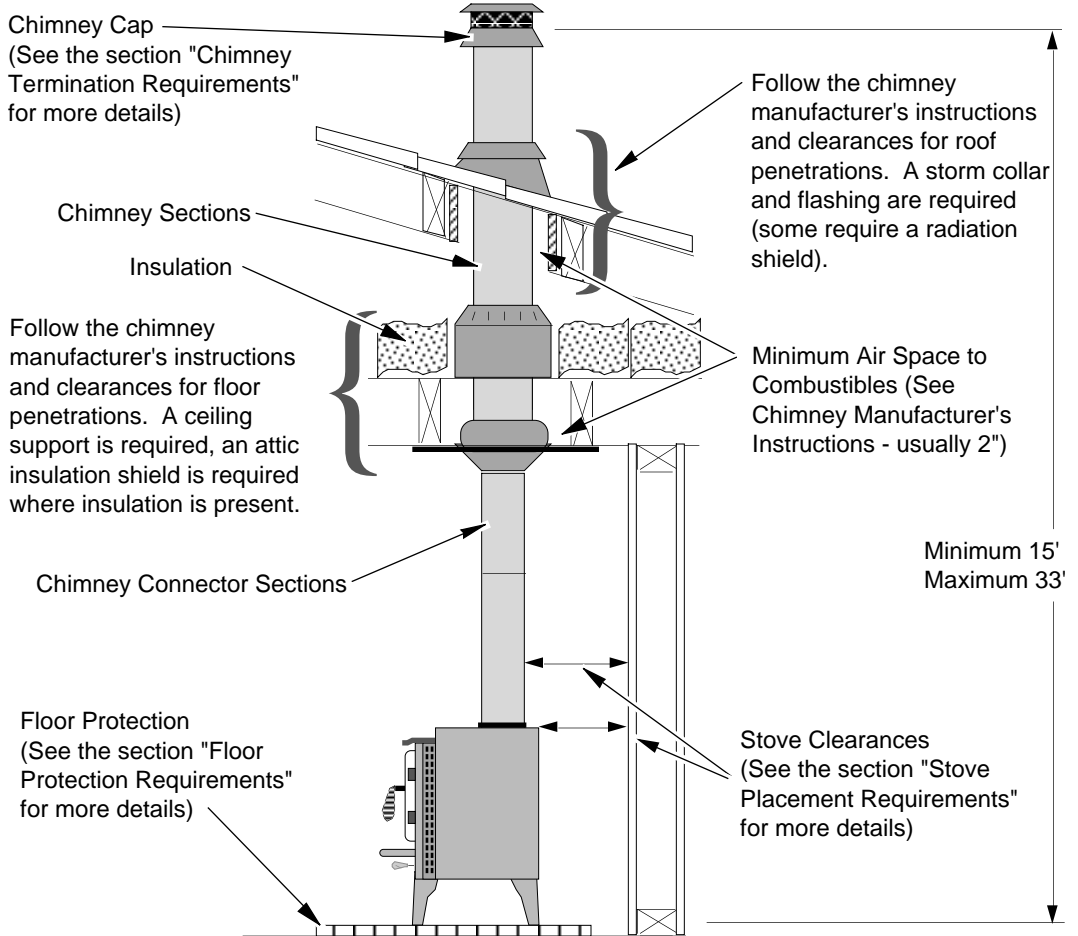


- If using offsets, use the connector clearance listed to the right, **not the connector manufacturer's clearance.**
- The appliance must be secured to the floor (consult your building official). Secure the outside air boot to the floor and stove to insure the stove does not dislocate.
- Mobile home installations require a spark arrester at the chimney termination.
- The appliance must be grounded to the chassis of the mobile home (consult your building official).

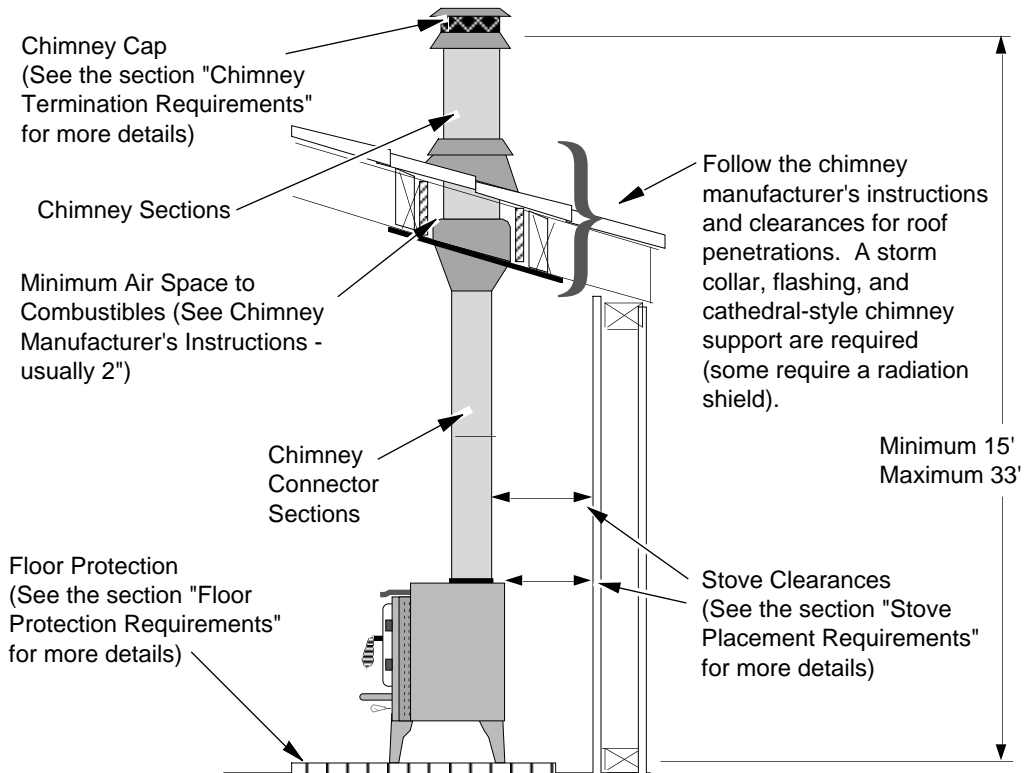
**WARNING: DO NOT INSTALL IN SLEEPING ROOM.**  
**CAUTION: THE STRUCTURAL INTEGRITY OF THE MOBILE HOME FLOOR, WALL, AND CEILING/ROOF MUST BE MAINTAINED.**



## ***Standard Ceiling with a Factory Built Chimney***



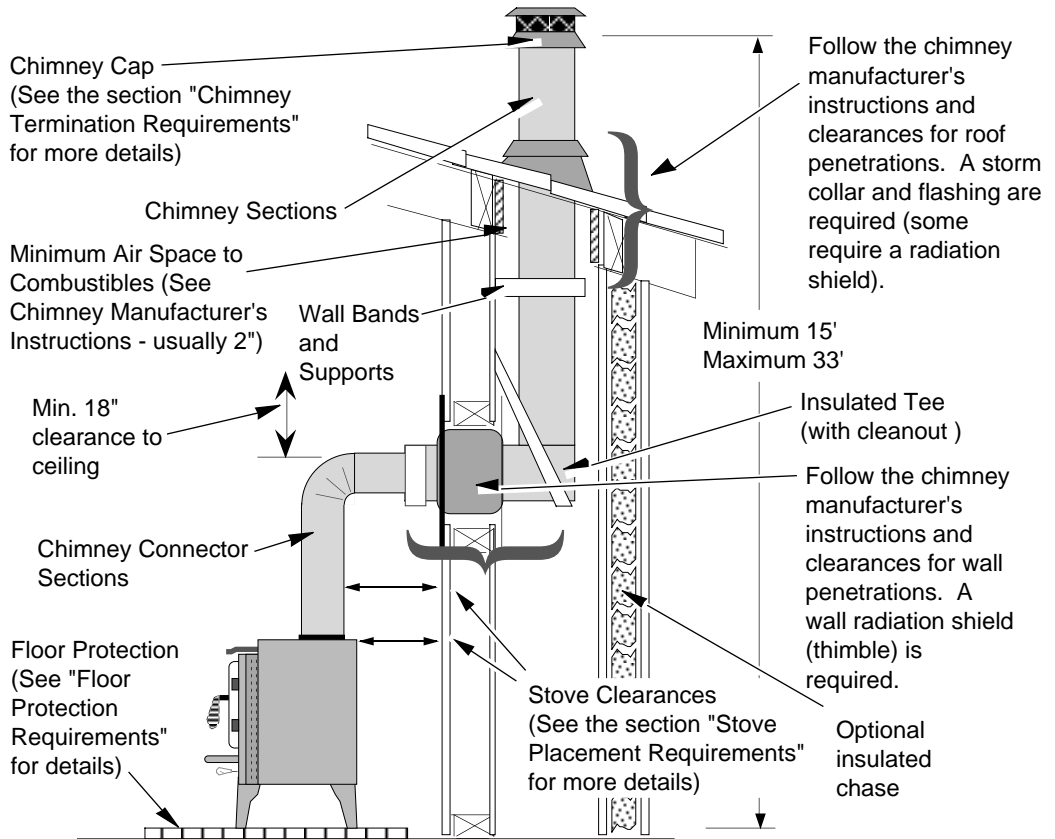
## ***Cathedral Ceiling with a Factory Built Chimney***



## **Exterior Factory Built Chimney**

**NOTE:**

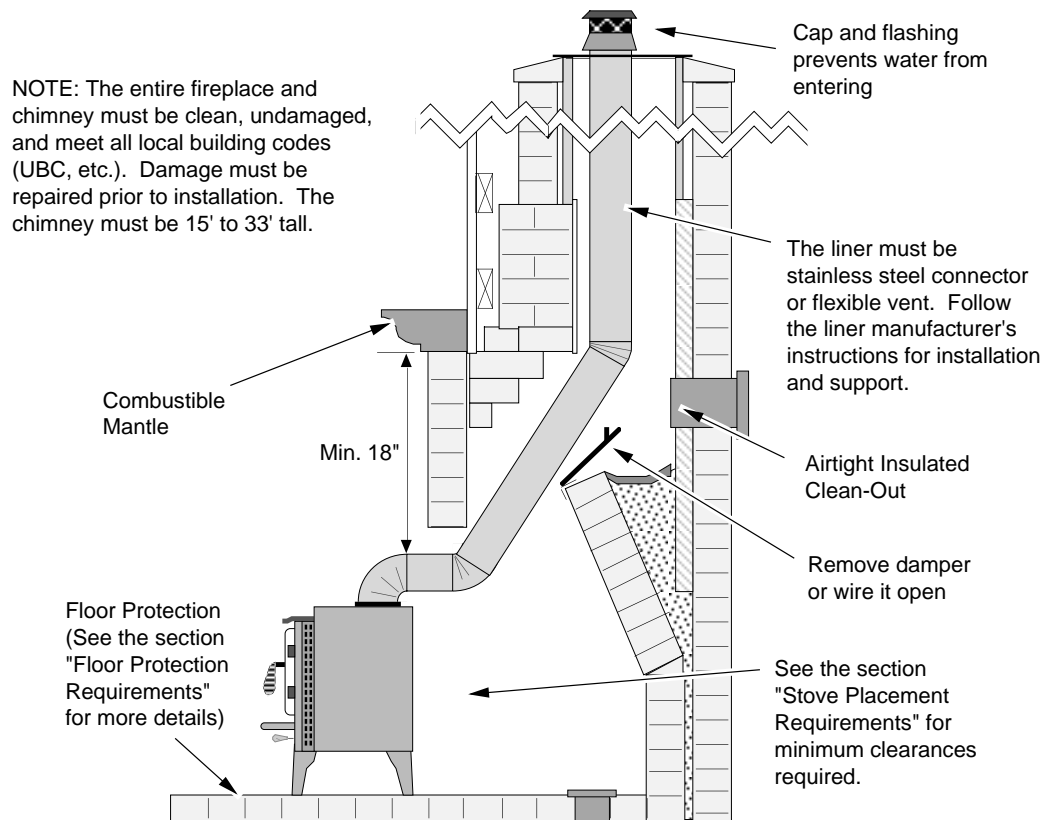
Exterior chimneys are subject to greater moisture and creosote accumulation due to the lower temperatures. An insulated chase will reduce these accumulations (the proper clearances to the chimney must be maintained).



## **Hearth Stove Positive Connection**

**NOTE:**

Most factory-built chimney manufacturers make stainless steel chimney liners, either flexible or rigid. This provides a wide variety of installation options. Make sure to follow the manufacturer's instructions for installation and support.

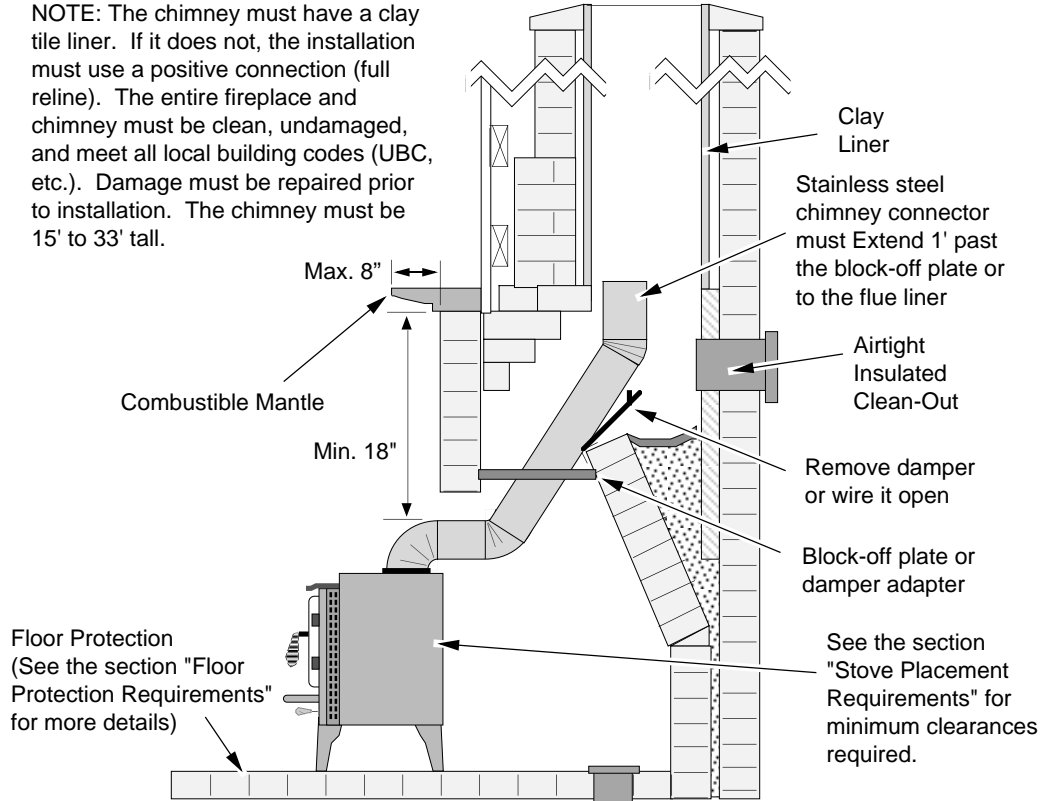


## Hearth Stove Direct Connection

**NOTE:**

Direct connections require installation of an airtight, non-combustible block-off plate or damper adapter.

NOTE: The chimney must have a clay tile liner. If it does not, the installation must use a positive connection (full reline). The entire fireplace and chimney must be clean, undamaged, and meet all local building codes (UBC, etc.). Damage must be repaired prior to installation. The chimney must be 15' to 33' tall.

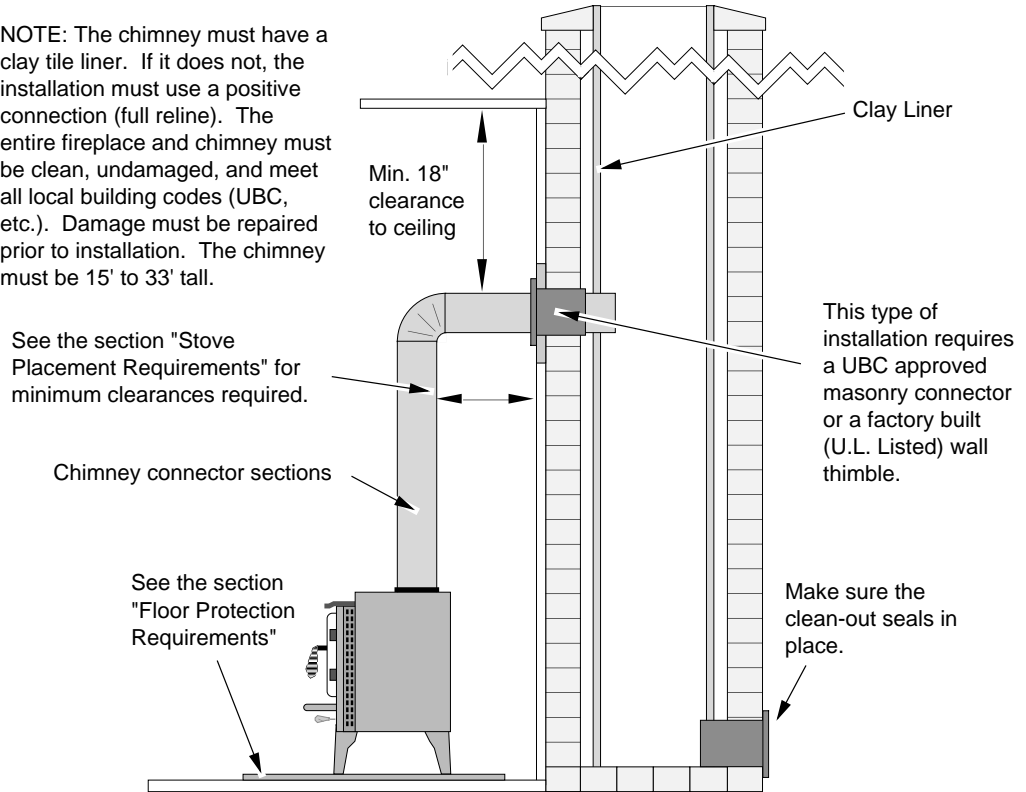


## Interior or Exterior Masonry Chimney

**NOTE:**

This type of installation requires a UBC approved masonry connector or a factory built (U.L. Listed) wall thimble.

NOTE: The chimney must have a clay tile liner. If it does not, the installation must use a positive connection (full reline). The entire fireplace and chimney must be clean, undamaged, and meet all local building codes (UBC, etc.). Damage must be repaired prior to installation. The chimney must be 15' to 33' tall.





## SAFETY NOTICE:

**Please read this entire manual before you install and use your new room heater. Failure to follow instructions may result in property damage, bodily injury, or even death. Contact local building or fire officials about restrictions and installation inspection requirements in your area.**

### *Planning The Installation*



We suggest that you have an authorized Travis Industries dealer install your stove. If you install the stove yourself, your authorized dealer should review your plans for installation.



Check with local building officials for any permits required for installation of this stove and notify your insurance company before proceeding with installation.

### Preparation for Installation

- Check for damage to the exterior of the inserts (dents should be reported, scratches can be fixed by applying touch up paint).
- Check the interior of the firebox (replace cracked firebrick and make sure baffle is in place).



The stove can be lightened by removing the firebricks and baffle. (pg 26) - replace before operation.

### Insert Installation Considerations

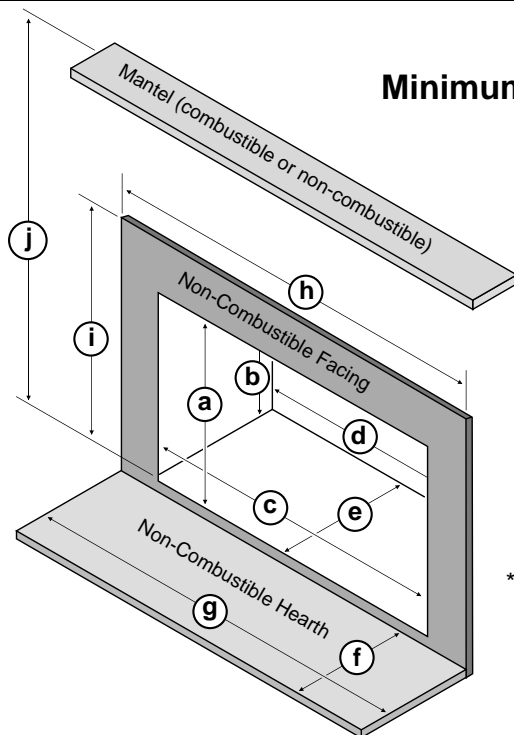
- This insert is approved for installation into an existing masonry or zero clearance (metal) fireplace. Depending upon your installation concerns, several options are yours to provide the most desirable installation. The sections that follow detail the requirements that must be met for a safe installation. To further help installation, the most common types of installations are explained in table below. Prior to installing your insert make a detailed plan with dimensions to double-check them against all of the requirements listed.

Installation Type	Considerations
Insert with Positive Flue (Full Reline) (Page 21)	<ul style="list-style-type: none"> <li>• Utilizes existing masonry or zero clearance fireplace</li> <li>• Provides best draft</li> <li>• Easiest to clean</li> </ul>
Insert with Direct Connect Flue (Page 21 and 22)	<ul style="list-style-type: none"> <li>• Utilizes existing masonry or zero clearance fireplace</li> <li>• Provides good draft</li> <li>• Requires fireplace block-off plate - see page 18</li> </ul>
Insert with Face Seal Connection (Page 22)	<ul style="list-style-type: none"> <li>• Utilizes existing masonry fireplaces with cross section of 28" to 144" (<b>not approved for zero clearance fireplaces</b>)</li> <li>• Provides okay draft</li> <li>• Easiest to install</li> <li>• Requires the optional surround panels and insulation (see "Surround Panels" on page 41).</li> </ul>

### *Surround Panels*

- The insert must be installed with surround panels (see page 41).

## Insert Size Requirements (see Illustration below)



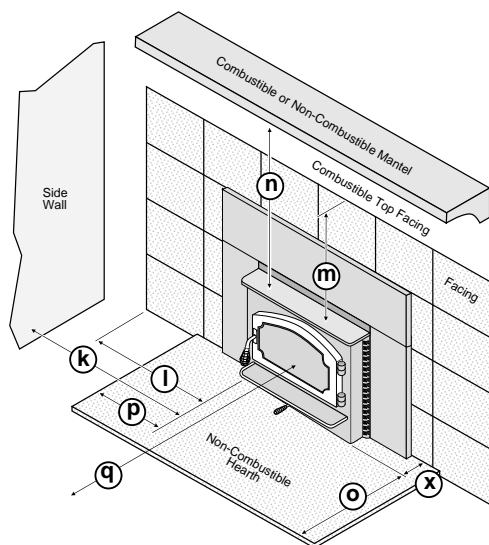
### Minimum Fireplace Size

	Masonry Fireplace	Z.C. (Metal) Fireplace
a	Height (front)	20-3/4"
b	Height (rear)	20-3/4"
c	Width (front)	23-5/8"
d	Width (rear)	23-5/8"
e	Depth	13-1/2"
f	Hearth Depth*	19"
g	Hearth Width	39-5/8"
h	Facing Width	42-5/8"
i	Facing Height	32"
j	Mantel Height	35-1/2"

\* This is the distance the insert protrudes from the fireplace opening plus the required 16" of hearth extension.

## Insert Placement Requirements

- The insert must be placed so that no combustibles are within, or can swing within (e.g. drapes, doors), 36" of the front of the insert
- Insert and hearth must be installed on a level, secure floor
- The minimum clearances, facing, and hearth requirements in the illustration below must be met (follow the clearances for the type of fireplace being used - either masonry or zero-clearance).



### Minimum Clearances

	Masonry Fireplace	ZC (Metal) Fireplace
k	Sidewall to Insert	13"
l	Side Facing	9-1/2"
m	Top Facing	12"
n	Mantel to Insert	15-1/2"
o	Hearth (Front)*	16"
p	Hearth (Side)	8"
q	Front of Insert	36"
x	Extension onto Hearth	3"

\* Does not include the distance the insert extends onto the hearth (dimension "x").

## Hearth Requirements

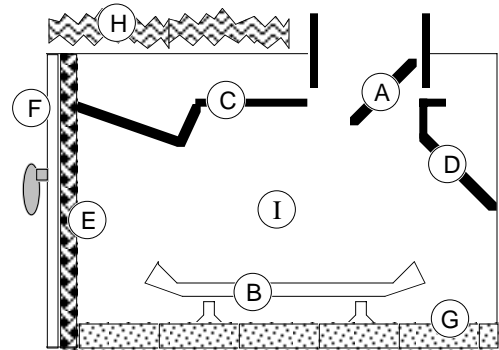
- Must extend 16" in front of the insert and 8" on both sides (total of 19" deep by 39 5/8" wide)
- Must be non-combustible 1/4" thick insulating board with a thermal conductivity of K=0.72

## Masonry Fireplace Requirements

- Chimney must have a clay tile liner or a stainless steel liner (positive connection)
- Entire fireplace, including chimney, must be clean and undamaged. Any damage must be repaired prior to installation of the insert
- Chimney height: 15' minimum; 33' maximum.
- Entire fireplace, including chimney, must meet local building requirements

## Zero-Clearance (Metal) Fireplace Requirements:

- Must utilize a positive (full reline) or direct connection (block-off plate)
- Must be manufactured by one of the following manufacturers:
  - Marco • Majestic • Heatilator • Preway • Tempco • Superior
- Entire fireplace, including chimney, must be clean and undamaged. Any damage must be repaired prior to installation of the insert
- Entire fireplace, including chimney, must meet local building requirements
- Chimney height: 15' minimum; 33' maximum. Minimum cross section: 28.65 square inches
- The damper ("A") and grate ("B") must be removed (see the illustration to the right)
- The smoke shelf ("C"), internal baffles ("D"), screen ("E"), and metal or glass doors ("F") may be removed (if applicable)
- The masonry lining ("G"), insulation ("H"), and any structured rigid frame members (metal sides, floor, door frame, face of the fireplace, etc. – "I") may not be removed or altered

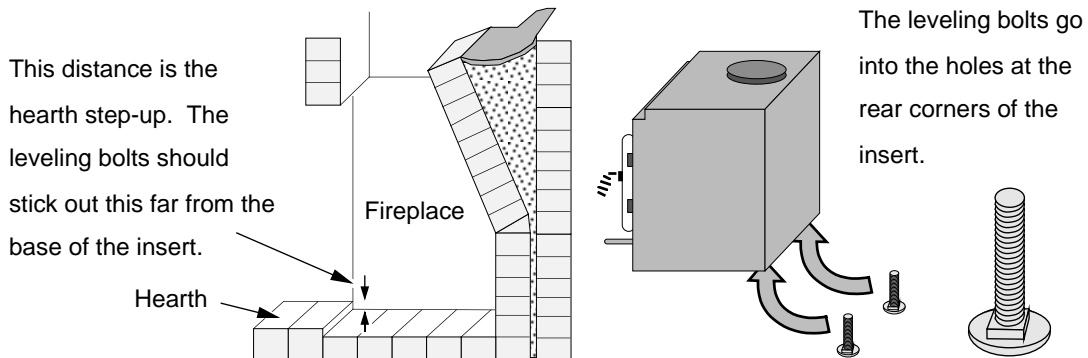


## Drafting Performance

This appliance relies upon natural draft to operate. External forces, such as wind, barometric pressure, topography, or factors of the home (negative pressure from exhaust fans, chimneys, air infiltration, etc.), may adversely affect draft. Travis Industries can not be responsible for external forces leading to less than optimal performance.

## Leveling Bolt Installation

Two leveling bolts are included to level the insert if the fireplace has a stepped-up hearth. To install, raise the rear of the insert up and insert the leveling bolts into the holes in the rear corners of the insert. Adjust the bolts until they extend the same height as the hearth steps up. After the insert is installed, fine-tune the leveling bolts to level the insert (see the illustration).



## ***Block-Off Plate Installation***

Whenever this appliance is installed with a direct connection a block-off plate, or other non-combustible seal-off device (e.g. damper adapter), will need to be installed. This device is used to seal the chimney, insuring no smoke enters the home and providing the chimney system with a seal to promote draft. The directions below detail the steps for construction and installation of a block-off plate.

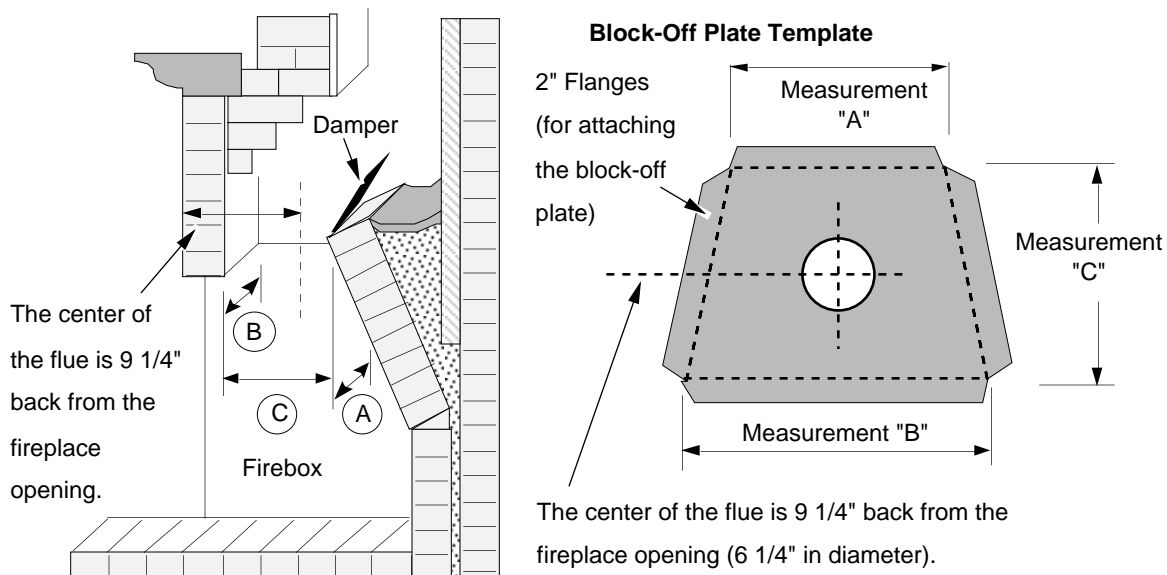
1. Determine a location for the block-off plate at the top of the firebox below the damper area (make it high enough to allow installation of the connection pipe). The location should be level and in an area where it can be mounted easily. Measure the width at the rear ("A") and front ("B") of the firebox at the height where the block-off plate will be installed (see the illustration below). Then measure the depth of the location where the block-off plate will be installed ("C").

**NOTE:** Most masonry fireplaces have square fireboxes while certain zero-clearance (metal) fireplaces often have domed firebox tops. This makes zero-clearance block-off plates more difficult to install. To simplify the procedure, insulation may be used to seal the rounded edges.

2. Make a cardboard template of the measurements, but add a 2" flange to each side. This flange will be used to mount the block-off plate to the inside of the firebox. Bend the flanges downwards on the template and place it inside the fireplace. If the template fits correctly in its planned location, go to the next step. If it does not, make a new template with the appropriate corrections until it fits correctly.
3. With the template in place, mark the location that is centered in the fireplace and 9 1/4" back from the fireplace opening. This location approximates the center of the flue when the insert is in place (a slight offset may occur based upon insert and block-off plate placement). Remove the template and cut a 6 1/4" diameter hole centered on this mark.
4. Make the block-off plate of 24 gage or thicker steel to match the template. Drill two holes in each flange for mounting the plate.
5. Mount the block-off plate using masonry screws.

**NOTE:** Use sheet metal screws on zero-clearance (metal) fireplaces (screws need only be long enough to penetrate the first layer of metal).

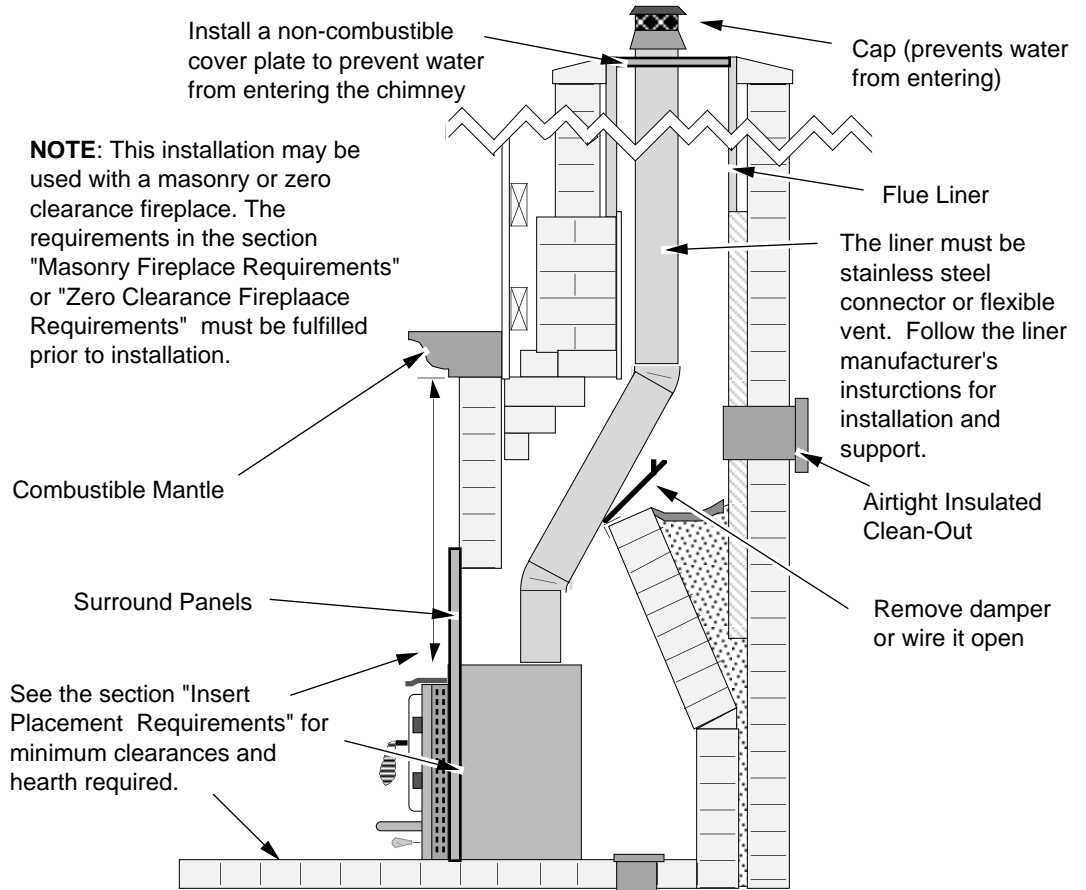
6. Insulate the block-off plate using high-temperature fiberglass insulation (Kaowool® or equivalent) and furnace cement (allow the cement to dry for at least 24 hours before burning).
7. After placing the appliance and installing the pipe through the block-off plate, use high-temperature fiberglass insulation and furnace cement to seal any cracks between the pipe and block-off plate.



## Insert with Positive Connection

**NOTE:**

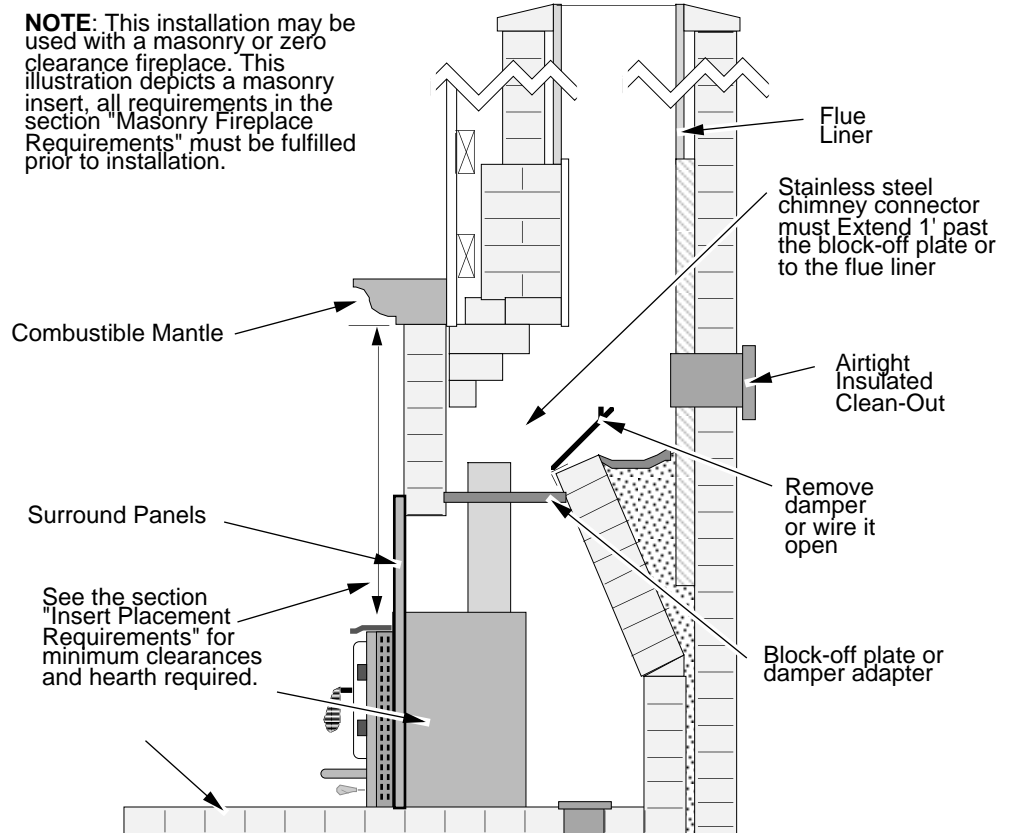
Most factory-built chimney manufacturers make stainless steel chimney liners, either flexible or rigid. This provides a wide variety of installation options. Make sure to follow the manufacturer's instructions for installation and support.



## Insert with Direct Connection (Masonry Fireplace)

**NOTE:**

Direct connections require installation of an airtight block-off plate or damper adapter (see "Block-off Plate Installation" on page 20).

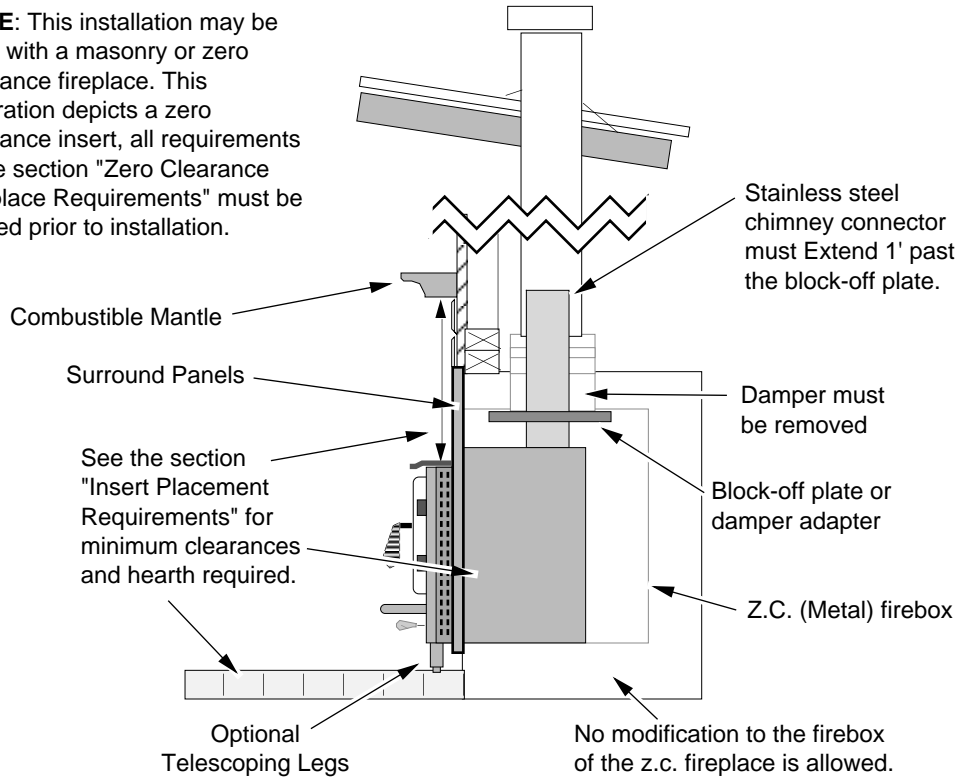


## Insert with Direct Connection (Z.C. Fireplace)

**NOTE:**

Direct connections require installation of an airtight block-off plate or damper adapter (see "Block-off Plate Installation" on page 20).

**NOTE:** This installation may be used with a masonry or zero clearance fireplace. This illustration depicts a zero clearance insert, all requirements in the section "Zero Clearance Fireplace Requirements" must be fulfilled prior to installation.

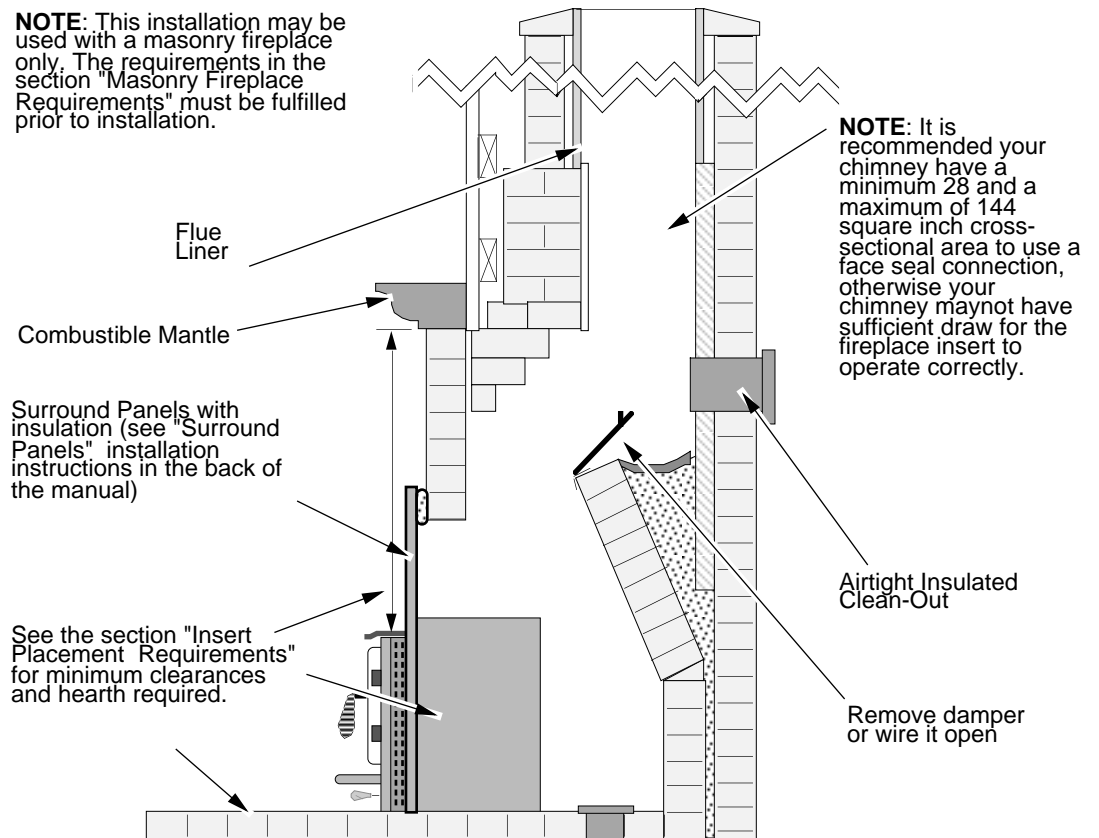


## Insert with Face Seal Connection

**NOTE:**

Face seal connections require installation of the surround panels and insulation (see the "Surround Panel Installation" on page 41).

**NOTE:** This installation may be used with a masonry fireplace only. The requirements in the section "Masonry Fireplace Requirements" must be fulfilled prior to installation.



## Safety Notice:



If this appliance is not properly installed, a house fire may result. For your safety, follow the installation directions. Contact local building or fire officials about restrictions and installation inspection requirements in your area.



Read and follow all of the warnings on pages 4 and 5 of this manual.

## Before Your First Fire

### Verify the Installation

Before starting the stove, verify that the stove is properly installed and all of the requirements in this manual have been followed.

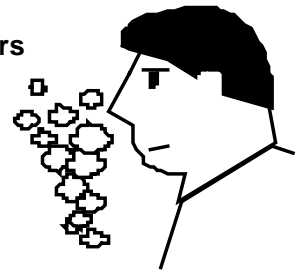
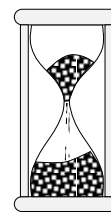


Keep all flammable materials 36" away from the front of the stove (drapes, furniture, clothing, etc.).

### Curing the Paint

This heater uses a heat-activated paint that will emit some fumes while starting the first fire. Open doors and windows to the room to vent these fumes. This typically lasts two to four hours. You may also notice oil burning off of the interior of the heater. This rust-stopping agent will soon dissipate.

2 to 4 hours

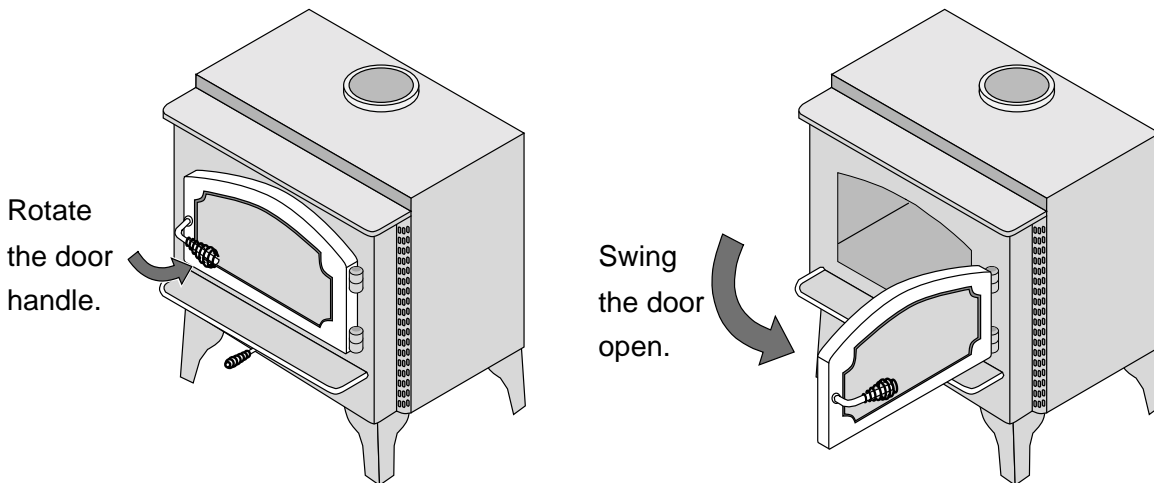


**Door Gasket** - The door gasket might adhere to the paint on the front of the heater. Leave the door slightly ajar for the first fire and be careful when opening the door after the first fire.

### Over-Firing the Stove

This stove was designed to operate at a high temperature. But due to differences in vent configuration, fuel, and draft, this appliance can be operated at an excessive temperature. If the stove top or other area starts to glow red, you are over-firing the stove. Shut the air control down to low and allow the stove to cool before proceeding.

## Opening the Door



The door becomes hot during use. Use a glove to open the door if the handle is hot.

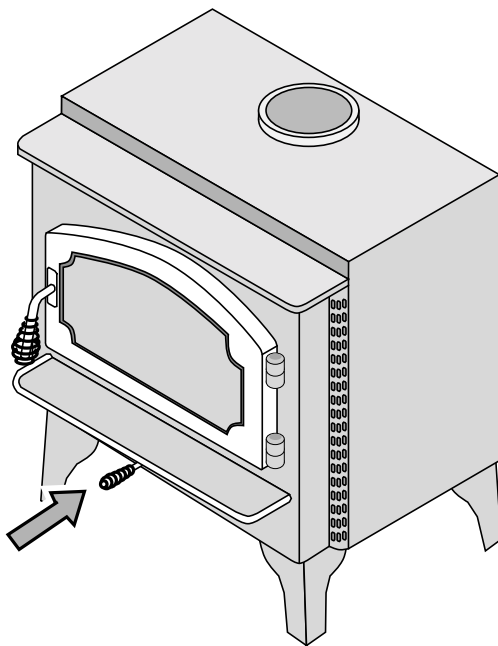


To prevent smoke from entering the room, open the door a small amount and let air enter the firebox. This stabilizes the air flow before opening the door completely.

## Starting a Fire

Since the dawn of time man has debated the best way to start a fire. Some use the boy-scout "tee-pee", some prefer the "tic-tac-toe" stack. Either way, review the hints and warnings below to ensure proper fire starting.

- Make sure the air control is pushed in. If additional air is needed, open the doors 1/4" during the first five minutes of start-up.



**Never** use gasoline, gasoline-type lantern fuel, kerosene, charcoal lighter fluid, or similar liquids to start or "freshen up" a fire in this stove. Keep all such liquids well away from the stove while it is in use.



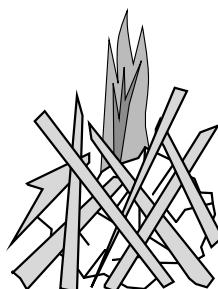
If using a firestarter, use only products specifically designed for stoves - follow the manufacturer's instructions carefully.



If the smoke does not pass up the chimney, ball up one sheet of newspaper, place it in the center of the grate and light it. This should start the chimney drafting (this eliminates "cold air blockage").



Use plenty of kindling to ensure the stove reaches a proper temperature. Once the kindling is burning rapidly, place a few larger pieces of wood onto the fire.

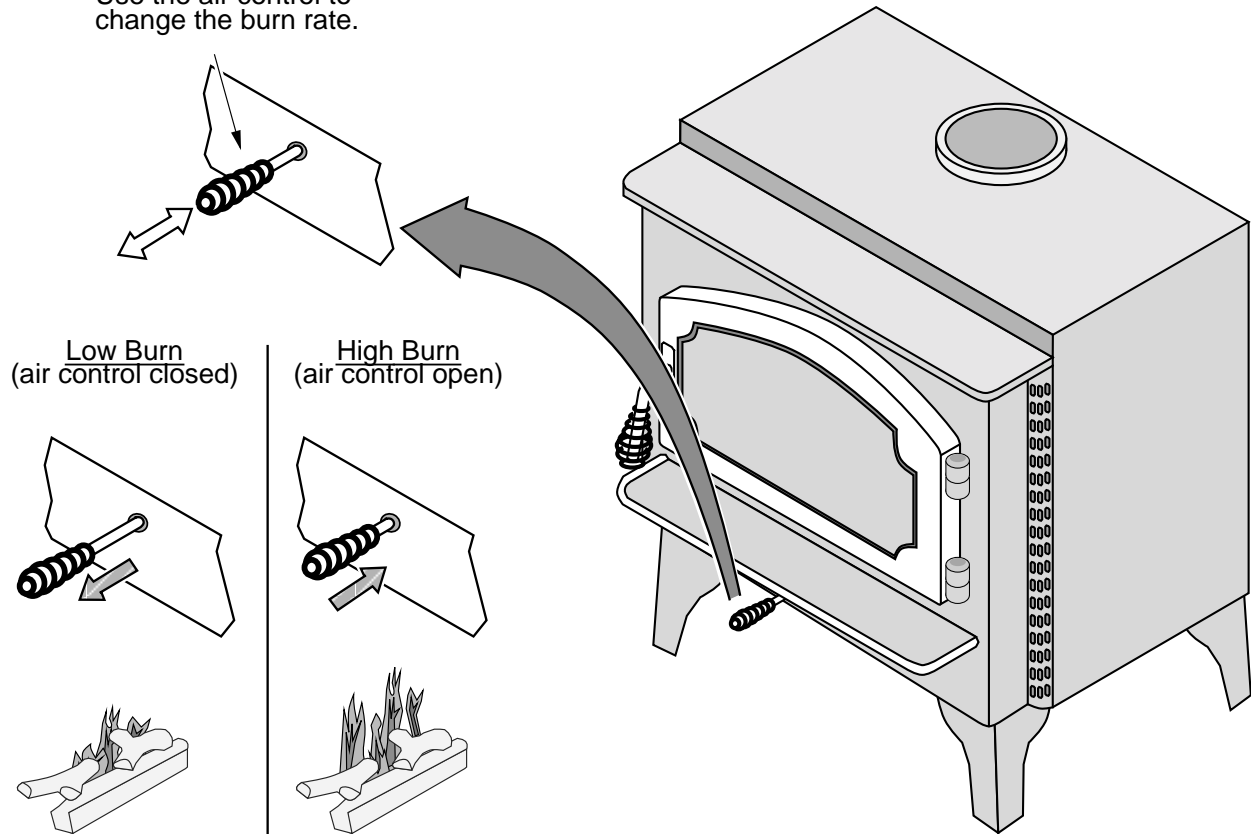




## Adjusting the Burn Rate

Use the air control slider to control the burn rate of the stove. See the illustration below for details.

Use the air control to change the burn rate.



### Approximate Air Control Settings:

Overnight Burn .....	Fully out to 9/32" pushed in
Medium Burn.....	9/32" to 5/16" pushed in
Medium High Burn .....	5/16" to 7/16" pushed in
High Burn.....	7/16" to fully pushed in



The air control becomes hot during operation - use gloves or a tool to prevent burns.



The air control may take several minutes to influence the burn rate. When making adjustments, you may wish to let the stove burn for 10 minutes to gauge performance.

## Ash Removal



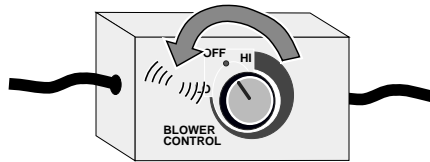
Ashes should be placed in a metal container with a tight fitting lid. The closed container of ashes should be placed on a noncombustible floor or on the ground, away from all combustible materials, pending final disposal. If the ashes are disposed of by burial in soil or otherwise locally dispersed, they should be retained in the closed container until all cinders have thoroughly cooled.

## Optional Blower Operation

The blower will turn on once the stove is up to temperature. This is typically 15 to 30 minutes after starting the fire. Follow the directions below to alter the blower speed.

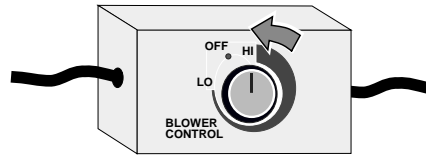
### OFF

Turn the dial all the way counter-clockwise until it clicks off.



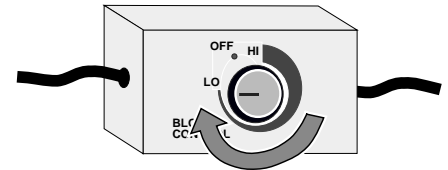
### HIGH

The high position is all the way counter-clockwise, without clicking off.



### LOW

Turn the dial all the way clockwise.



The blower may be used to affect heat output (i.e.: to reduce heat output, turn the blower down).



Route the power cord in a location where it will not come in contact with the appliance or become hot.

## Re-Loading the Stove

Follow the directions below to minimize smoke spillage while re-loading the stove.

- 1 Push the air control all the way in (high burn).
- 2 Open the door slightly. Let the airflow inside the firebox to stabilize before opening the doors fully.
- 3 Load wood onto the fire.

## Overnight Burn

This stove is large enough to accommodate burn times up to eight hours. Follow the steps below to achieve an overnight burn.

- 1 Move the air control to high burn and let the stove become hot (burn for approximately 15 minutes).
- 2 Load as much wood as possible. Use large pieces if possible.
- 3 Let the stove burn on high for 15 minutes to keep the stove hot, then turn the air control to low.
- 4 In the morning the stove should still be hot, with embers in the coal bed. Stir the coals and load small pieces of wood to re-ignite the fire, if desired.



Differences in chimney height and draft may lower overall burn times.

## Normal Operating Sounds

### Creaks and Clicks:

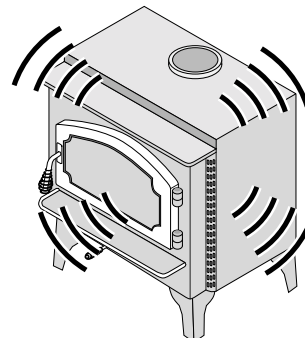
The 3/16" and 5/16" steel may creak or click when the stove heats up and cools down - this is normal.

### Blower Sounds:

The blower will make a slight "hum" as it pushes air through the stove.

### Hint:

Make sure the leveling bolts on legs are extended - preventing the hearth from amplifying any vibrations.



## Hints for Burning

- Get the appliance hot before adjusting to low burn
- Use smaller pieces of wood during start-up and high burns to increase temperature
- Use larger pieces of wood for overnight or sustained burns
- Stack the wood tightly together to establish a longer burn
- Leave a bed of ashes (1/2" deep) to allow for longer burns
- Be considerate of neighbors & the environment: burn dry wood only
- Burn small, intense fires instead of large, slow burning fires when possible
- Learn your appliance's operating characteristics to obtain optimum performance

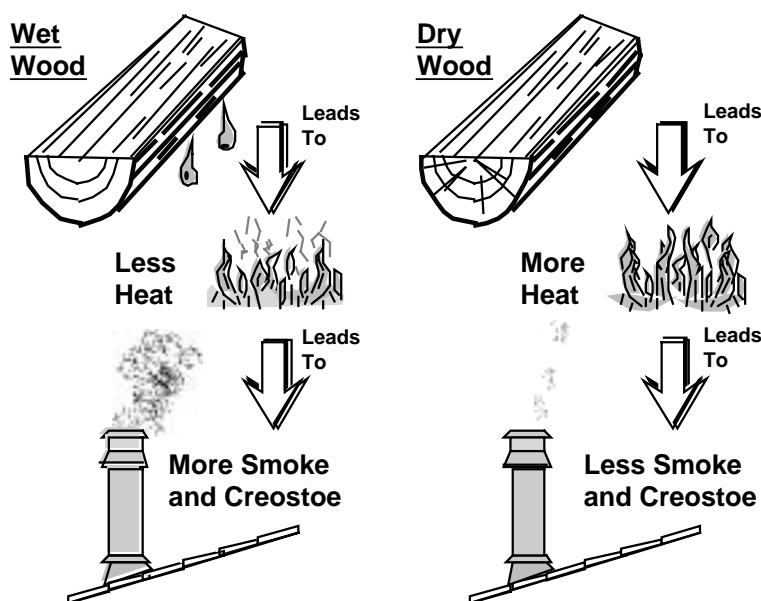
## Selecting Wood

### Dry Wood is Key

Dry wood burns hot, emits less smoke and creates less creosote.

### Testing Wood Moisture

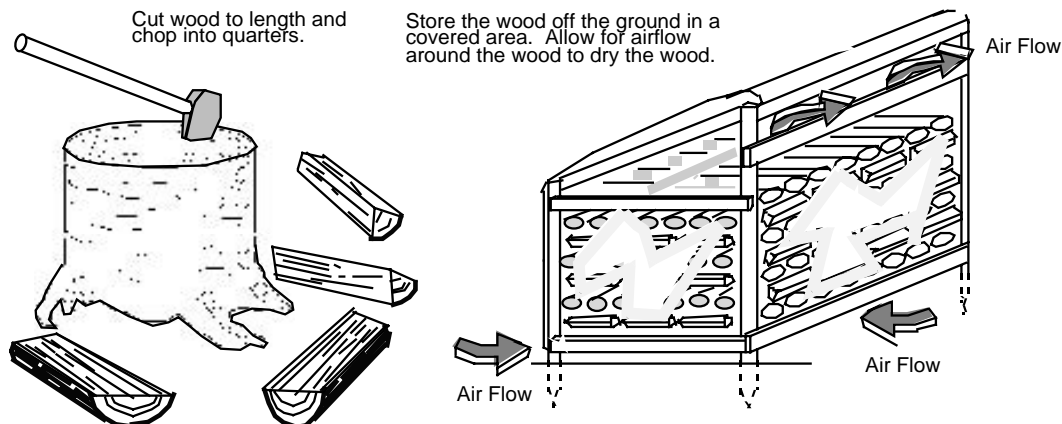
Split wood stored in a dry area will be fully dry within a year. This insures dry wood. If purchasing wood for immediate use, test the wood with a moisture meter. Some experienced wood burners can measure wood moisture by knocking pieces together and listening for a clear "knock" and not a "thud".



### Why Dry Wood is Key

Wet wood, when burned, must release water stored within the wood. This cools the fire, creates creosote, and hampers a complete burn. Ask any experienced wood burner and he or she will agree: dry wood is crucial to good performance.

### Wood Cutting and Storage



## Troubleshooting

Problem	Possible Cause
<b>Smoke Enters Room During Start-Up</b>	<ul style="list-style-type: none"> <li>• Cold Air Blockage - burn a piece of newspaper to establish a draft.</li> <li>• Close the doors - if the flame is not getting enough air, first make sure the air control is open (all the way in). If additional air is needed, a small crack in the door is all that is needed.</li> </ul>
<b>Kindling Does Not Start - Fire Smolders</b>	<ul style="list-style-type: none"> <li>• Cold Air Blockage - burn a piece of newspaper to establish a draft.</li> <li>• Not enough starter paper - use additional newspaper if necessary.</li> <li>• Not enough air - first make sure the air control is open (all the way in). If additional air is needed, a small crack in the door is all that is needed.</li> </ul>
<b>Smoke Enters Room While Re-Loading</b>	<ul style="list-style-type: none"> <li>• Let the air stabilize before fully opening the door. Push the air control in before opening the door. Then open the door approximately 1 inch. Let air go into the firebox for a few seconds. Once the smoke appears to be flowing up the chimney consistently, open the door.</li> <li>• Insufficient Draft - Chimney height and outside conditions can negatively affect draft. In these cases a small amount of smoke may enter the home. Adding more pipe or a draft-inducing cap may help.</li> </ul>
<b>Stove Does Not Burn Hot Enough</b>	<ul style="list-style-type: none"> <li>• Wood is Wet - see the section "Selecting Wood" on page 27 for details on wood.</li> <li>• Insufficient Draft - Chimney height and outside conditions can negatively affect draft. In these cases the fire may burn slowly. Adding more pipe or a draft-inducing cap may help.</li> <li>• Air Control is Not Wide Open - Make sure the air control is all the way in. Slide the control back and forth to insure the control is not stuck.</li> </ul>
<b>Blower Does Not Run</b>	<ul style="list-style-type: none"> <li>• Stove is Not Up to Temperature - This is normal. The blower will come on when the stove is hot - usually 15 to 30 minutes.</li> <li>• Electricity is Cut to the Blower - Check the household breaker or fuse to make sure it is operable.</li> </ul>
<b>Stove Does Not Burn Long Enough</b>	<ul style="list-style-type: none"> <li>• This appliance burns for up to 8 hours. Depending upon wood, draft, and other factors, the burn time may be shorter. Make sure the doors are sealing and not allowing air into the firebox - See the section "Door and Glass Inspection" on page 30 for details.</li> <li>• Check the ash bed for coals. Often, coals are still glowing under a slight bed of flyash. By raking these into a pile you can re-start your stove quickly.</li> </ul>



Failure to properly maintain and inspect your appliance may reduce the performance and life of the appliance, void your warranty, and create a fire hazard.

## Daily Maintenance (while stove is in use)

### Remove Ash (if necessary)

Ash removal is **not** required once it builds up. 1/2" to 1" of ash may be desirable because it slows the burn rate. Generally, remove ash once it has built up over 1". Follow the directions below to remove ash.

- 1 Let the stove cool completely (at least two hours after the last coal has extinguished).
- 2 Place a cloth or cardboard protector over the hearth to catch ash and protect against scratching.
- 3 Open the doors and scoop the ash into a metal container with a tight fitting lid. The closed container of ashes should be placed on a noncombustible floor or on the ground, away from all combustible materials, pending final disposal.



Improperly disposed ashes lead to fires. Hot ashes placed in cardboard boxes, dumped in back yards, or stored in garages, are recipes for disaster.



Wood-burning stoves are inherently dirty. During cleaning have a vacuum ready to catch spilled ash (make sure ash is entirely extinguished).



There are vacuum cleaners specifically made to remove ash (even if the ash is warm). Contact your dealer for details.

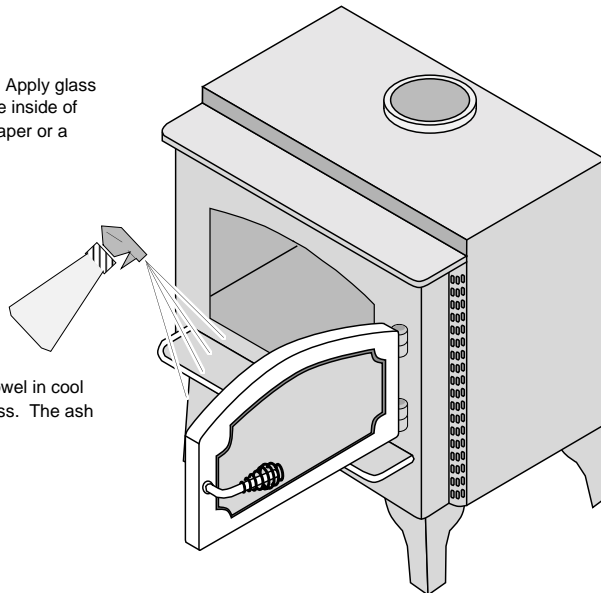
### Clean the Glass (if necessary)

This appliance has an airwash to keep the glass clean. However, burning un-seasoned wood or burning on lower burn rates leads to dirtier glass (especially on the sides). Clean the glass by following the directions below.

Allow the stove to fully cool. Apply glass cleaner or soapy water to the inside of the glass. Wipe with newspaper or a paper towel.



**For Stubborn Creosote:**  
Dip newspaper or a paper towel in cool ashes and wipe it on the glass. The ash acts as a light abrasive.



The glass will develop a very slight haze over time. This is normal and will not affect viewing of the fire.

## Monthly Maintenance (while appliance is in use)



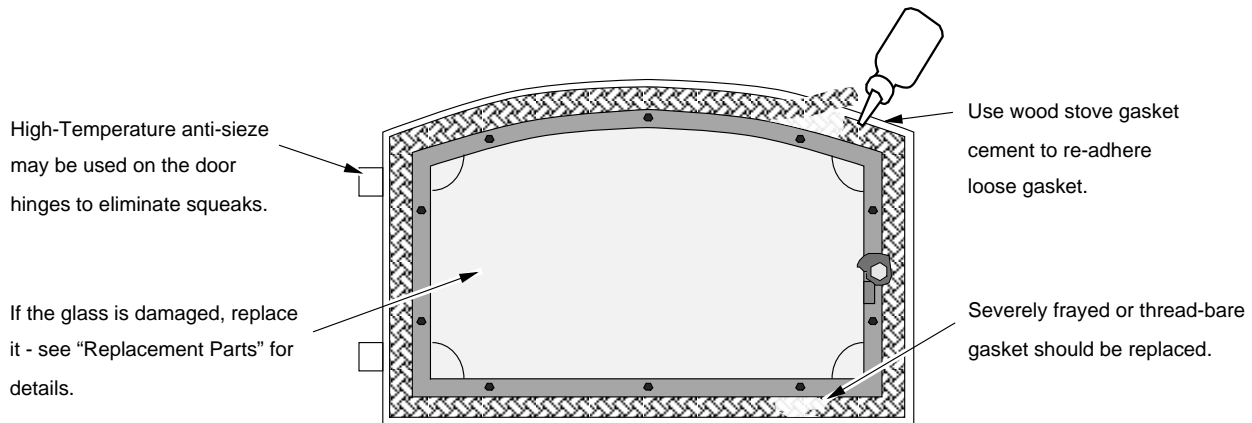
Make sure the appliance has fully cooled prior to conducting service.

### Door and Glass Inspection

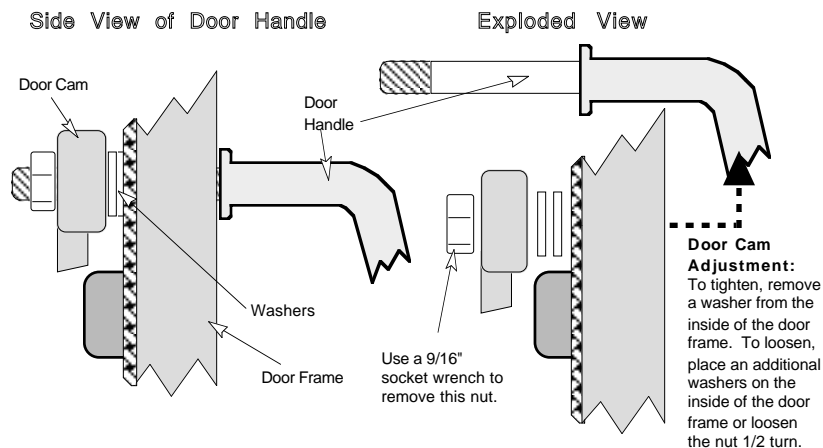
The door must form an air-tight seal to the firebox for the stove to work correctly. Inspect the door gasket to make sure it forms an air-tight seal to the firebox.



The door can be lifted off the hinges if extensive repairs are conducted.



The door latch should pull the door against the face of the stove (but not so tight as to not allow full handle rotation). If the latch requires adjustment, follow the directions below.



### Creosote - Formation and Need for Removal

When wood is burned slowly, it produces tar and other organic vapors, which combine with expelled moisture to form creosote. The creosote vapors condense in the relatively cool chimney flue of a slow-burning fire. As a result, creosote residue accumulates on the flue lining. When ignited, this creosote makes an extremely hot fire. The chimney and chimney connector should be inspected at least once every two months during the heating season to determine if a creosote buildup has occurred. If creosote has accumulated, it should be removed to reduce the risk of a chimney fire.



If you are not certain of creosote inspection, contact your dealer or local chimney sweep for a full inspection. Excess creosote buildup may cause a chimney fire, that may result in property damage, injury, or death.

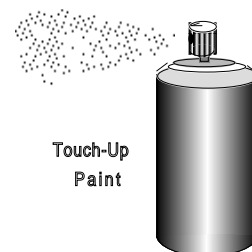
## Yearly Maintenance



Make sure the appliance has fully cooled prior to conducting service.

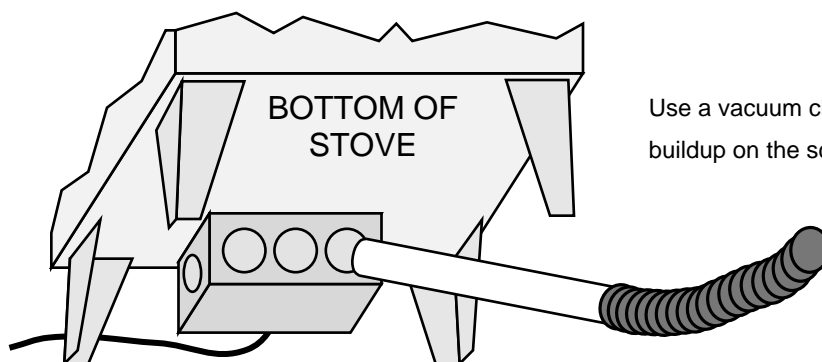
### Touch Up Paint

Included with the owner's pack of this appliance is a can of Stove-Brite® paint. To touch up nicks or dulled paint, apply the paint while the appliance is cool. Sand rusted or damaged areas before preparation (use 120 grit sandpaper). Clean and dry the area to prepare the surface. Wait at least one hour before starting the appliance. The touched up area will appear darker than the surrounding paint until it cures from heat. Curing will give off some fumes while curing – open windows to ventilate.



### Cleaning the Air Duct and Blower (if applicable)

Use a vacuum to clean the air ducts (channels). This prevents dust from burning and creating odors. The optional blower should be vacuumed every year to remove any buildup of dust, lint, etc.



Use a vacuum cleaner to remove any buildup on the screens of the blower.

### Firebrick and Baffle Inspection

Use the illustration on page 33 as a reference for checking the following items. Make sure the appliance is cool before proceeding.

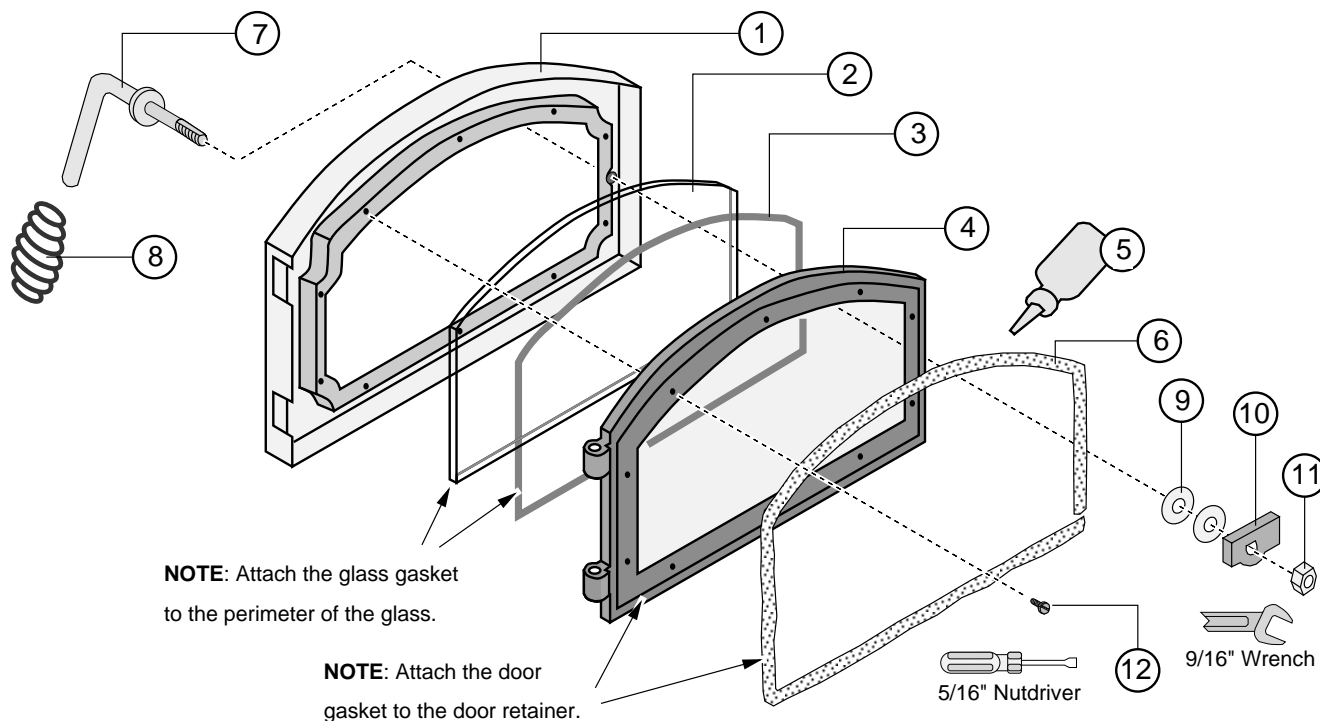
Baffle Firebricks - check the bricks along the ceiling of the firebox to make sure they are intact and have no gaps between them. Slide the bricks to eliminate any gaps.

Baffle Supports - make sure the front and back baffle supports in are place and not degraded. Slight scaling or rusting of the metal is normal.

Secondary Air Tubes - Check the two air tubes and collars to make sure they are intact and not severely deteriorated. Slight scaling or rusting of the metal is normal. Make sure the push pins hold the air tubes in place.

Floor and Wall Firebricks - replace any severely damaged firebrick along the side or floor of the firebox.

## Door Parts



ID #	Description	Qty	Part #	ID #	Description	Qty	Part #
1	Door Shell - Brass	1	99300211	2	Glass (15-3/8" x 8-7/8")	1	99400100
	Door Shell - Black		99300217				
3	Glass Gasket - Channel 3/4" x 70"	1	99900405	4	Door Retainer	1	99300214
5	Gasket Cement	1	99900409	6	Door Gasket	1	99900407
7	Door Handle (w spring)	1	99900413	8	Spring	1	99300100
9	Washers	2		10	Cam	1	99900417
11	Nut (w handle & cam)	1	99900410	12	Door Retainer Screws	10	99300215

### Replacing the Glass



The glass must not contact the door retainer or door shell directly. The glass gasket insulates the glass to prevent cracking. Do not over-tighten the door retainer.

The glass gasket attaches to the perimeter of the glass. Remove the screws and door retainer to access the glass. When installing, do not over-tighten the screws.

### Replacing the Door Gasket

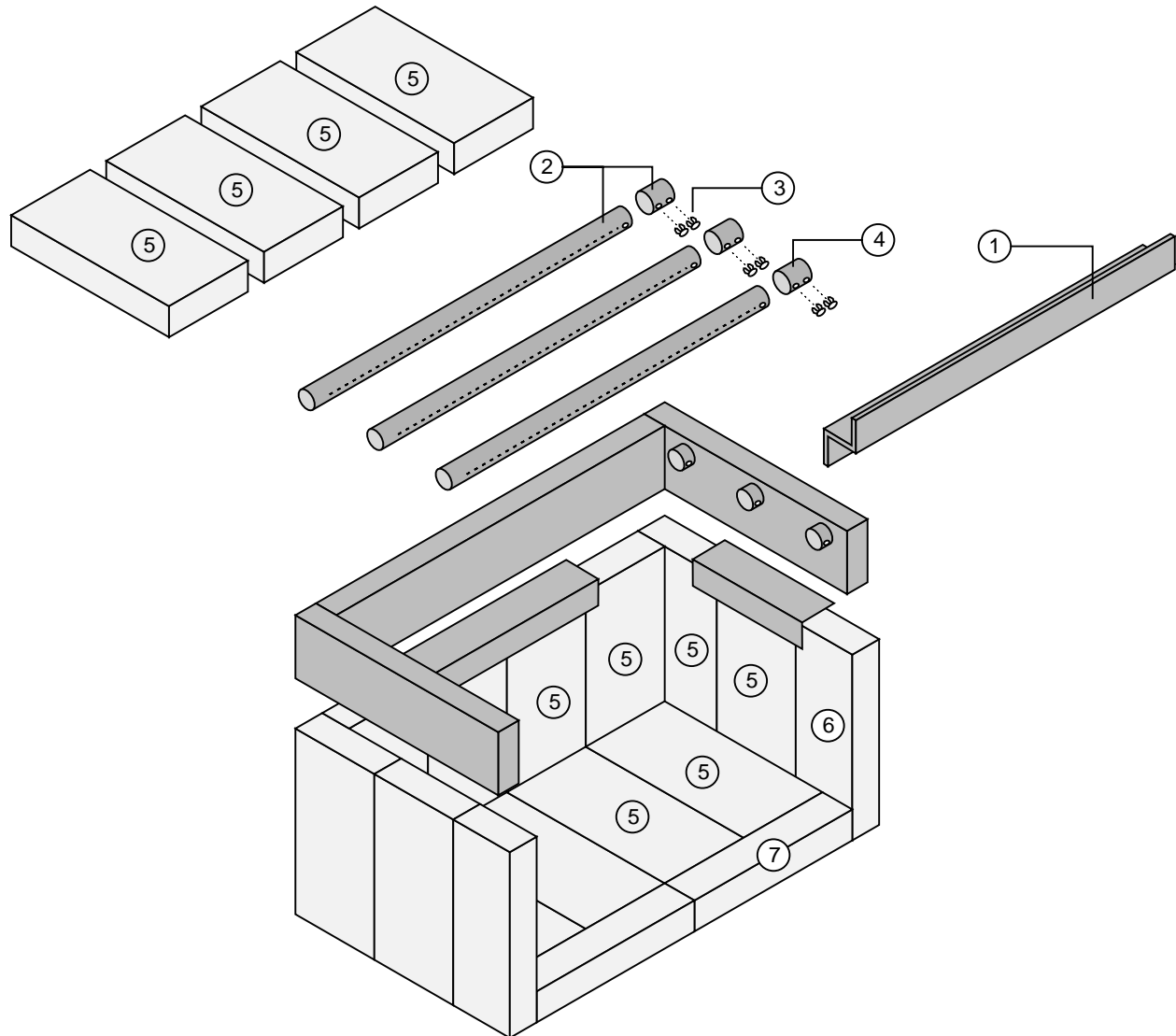
The door gasket inserts into the outer groove of the door retainer. Stove gasket cement holds it in place. Before installing, remove any residual cement. Lay the gasket in place (start at the lower left corner) and cut off any excess gasket (do not stretch the gasket. The cement fully cures with heat from the stove. You may need to open and close the door repeatedly to get the gasket to seat fully.

### Replacing the Door Handle

The door handle consists of several components. See the illustration above for a component list. For details on adjusting the door see page 30. **Error! Reference source not found.**



## Firebox Parts



ID #	Description	Qty	Part #	ID #	Description	Qty	Part #
1	Baffle Support "S" Bar	1	99900294	2	Air Tube with Sleeve	3	98900232
3	Air Tube Push Pins	6	98900353	4	Air Tube Retainer Sleeve	3	98900356
5	Brick - 9" x 4.5" un-cut	16	98900102 (qty of 9)	6	Brick - 9" x 2.5" (cut)	2	99900126 (notate size)
7	Brick - 9" x 1.375"	2	99900126 (notate size)				

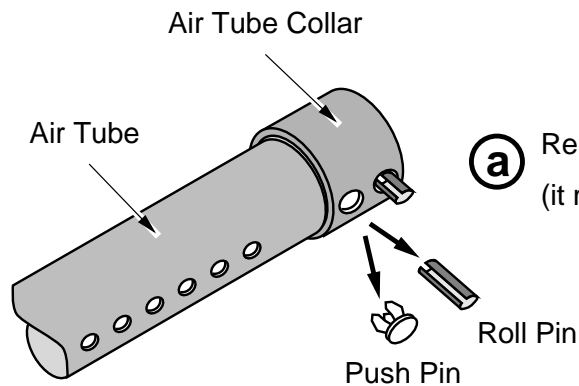
### Floor and Side Firebrick Removal & Replacement

**Do not pry firebrick - they chip and crack easily.** Remove the floor firebricks first. The side firebrick are removed later because they are pinned in place by the floor firebrick. Clean the firebox prior to replacing the firebrick.

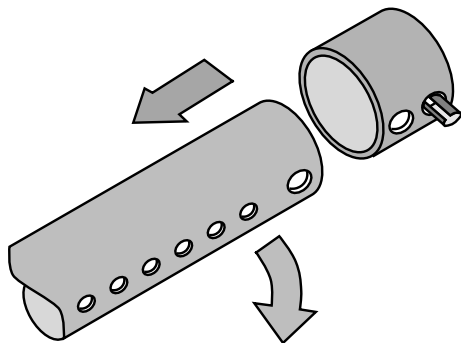
## Air Tube Removal & Replacement



All three air tubes are identical.



**a** Remove the left pin on the air tube collar (it may be a roll pin or push pin).



**b** Slide the air tube to the left, swing it down and remove from the firebox.

## Baffle Removal & Replacement



The baffle is held up by the front air tube. Make sure to support the baffle after removing the air tubes.

- 1 Lift the four baffle firebricks then lift the baffle deflector up and over its resting position.
- 2 Slide the bricks forward and tilt them downwards to remove.

To register your TRAVIS INDUSTRIES, INC. 7 Year Warranty, complete the enclosed warranty card and mail it within **ten (10)** days of the appliance purchase date to: TRAVIS INDUSTRIES, INC., 10850 117th Place N.E., Kirkland, Washington 98033. TRAVIS INDUSTRIES, INC. warrants this appliance (appliance is defined as the equipment manufactured by Travis Industries, Inc.) to be defect-free in material and workmanship to the original purchaser from the date of purchase as follows:

## Years 1 & 2 - COVERAGE: PARTS & LABOR

### Firebox Assembly:

Firebox, Baffle Supports, Air Tubes, Air Channels, Convection Chamber

### Door Assembly:

Solid Brass or Cast Door, Latch Assembly, Glass Retainers

### Air Control Assembly

Slider Plate, Pressure Plate

**Exclusions:** Paint, Gasketing

### Ceramic Glass

Glass (breakage from thermal shock)

### Firebrick

Breakage from thermal shock

### Accessories

Legs, Pedestal, Panels, Blower

### Re-Installation Allowance

In cases where heater must be removed from home for repairs, a partial cost of re-installation is covered (pre-authorization required)

### One-Way Freight Allowance

One-way freight allowance on pre-authorized repair done at factory is covered.

## Years 3 Through 5 - COVERAGE: PARTS & LABOR

### Firebox Assembly:

Firebox, Baffle Supports, Air Tubes, Air Channels, Convection Chamber

### Air Control Assembly

Slider Plate, Pressure Plate

**Exclusions:** Paint, Gasketing, Accessories (Legs, Pedestal, Panels, Blower), Glass, Firebrick, Re-Installation Allowance

### Door Assembly:

Solid Brass or Cast Door, Latch Assembly, Glass Retainers

### One-Way Freight Allowance

One-way freight allowance on pre-authorized repair done at factory is covered.

## Years 6 & 7 - COVERAGE: PARTS ONLY

### Firebox Assembly:

Firebox, Baffle Supports, Air Tubes, Air Channels, Convection Chamber

### Exclusions:

Paint, Gasketing, Accessories (Legs, Pedestal, Panels, Blower), Glass, Firebrick, Re-Installation Allowance, One-Way Freight Allowance, Labor

### Door Assembly:

Solid Brass or Cast Door, Latch Assembly, Glass Retainers

### Air Control Assembly

Slider Plate, Pressure Plate

## CONDITIONS & EXCLUSIONS

1. This new appliance must be installed by a qualified installer. It must be installed, operated, and maintained at all times in accordance with the instructions in the Owner's Manual. Any alteration, willful abuse, accident, neglect, or misuse of the product shall nullify this warranty.
2. This warranty is nontransferable, and is made to the ORIGINAL purchaser, provided that the purchase was made through an authorized Travis dealer.
3. Discoloration and some minor expansion, contraction, or movement of certain parts and resulting noise, is normal and not a defect and, therefore, not covered under warranty. Over-firing (operation where the steel may glow red) of this appliance can cause serious damage and will nullify this warranty.
4. The warranty, as outlined within this document, does not apply to the chimney components or other Non-Travis accessories used in conjunction with the installation of this product. If in doubt as to the extent of this warranty, contact your authorized Travis retailer before installation.
5. Travis Industries will not be responsible for inadequate performance caused by environmental conditions such as nearby trees, buildings, roof tops, wind, hills or mountains or negative pressure or other influences from mechanical systems such as furnaces, fans, clothes dryers, etc.
6. This Warranty is void if:
  - a. The unit has been operated in atmospheres contaminated by chlorine, fluorine or other damaging chemicals.
  - b. The unit is subject to submersion in water or prolonged periods of dampness or condensation.
  - c. Any damage to the unit, combustion chamber, heat exchanger or other components due to water, or weather damage which is the result of, but not limited to, improper chimney/venting installation.
7. Exclusions to this 7 Year Warranty include: injury, loss of use, damage, failure to function due to accident, negligence, misuse, improper installation, alteration or adjustment of the manufacturer's settings of components, lack of proper and regular maintenance, damage incurred while the appliance is in transit, alteration, or act of God.
8. This 7 Year warranty excludes damage caused by normal wear and tear, such as paint discoloration or chipping, worn or torn gasketing, chipped or cracked firebrick, etc. Also excluded is damage to the unit caused by abuse, improper installation, modification of the unit, or the use of fuel other than that for which the unit is configured (use cord wood only).
9. Damage to brass surfaces caused by fingerprints, scratches, melted items, or other external sources left on the brass surfaces from the use of abrasive cleaners is not covered in this warranty.
10. TRAVIS INDUSTRIES, INC. is free of liability for any damages caused by the appliance, as well as inconvenience expenses and materials. Incidental or consequential damages are not covered by this warranty. In some states, the exclusion of incidental or consequential damage may not apply.
11. This warranty does not cover any loss or damage incurred by the use or removal of any component or apparatus to or from the Travis appliance without the express written permission of TRAVIS INDUSTRIES, INC. and bearing a TRAVIS INDUSTRIES, INC. label of approval.
12. Any statement or representation of Travis products and their performance contained in Travis advertising, packaging literature, or printed material is not part of this 7 year warranty.
13. This warranty is automatically voided if the appliance's serial number has been removed or altered in any way. If the appliance is used for commercial purposes, it is excluded from this warranty.
14. No dealer, distributor, or similar person has the authority to represent or warrant Travis products beyond the terms contained within this warranty. TRAVIS INDUSTRIES, INC. assumes no liability for such warranties or representations.
15. Travis Industries will not cover the cost of the removal or re-installation of hearths, facing, mantels, venting or other components.
16. If for any reason any section of this warranty is declared invalid, the balance of the warranty remains in effect and all other clauses shall remain in effect.
17. This 7 year warranty is the only warranty supplied by Travis Industries, Inc., the manufacturer of the appliance. All other warranties, whether express or implied, are hereby expressly disclaimed and purchaser's recourse is expressly limited to the warranties set forth herein.

## IF WARRANTY SERVICE IS NEEDED:

1. If you discover a problem that you believe is covered by this warranty, you MUST REPORT it to your Travis dealer WITHIN 30 DAYS, giving them proof of purchase, the purchase date, and the model name and serial number.
2. Travis Industries has the option of either repairing or replacing the defective component.
3. If your dealer is unable to repair your appliance's defect, he may process a warranty claim through TRAVIS INDUSTRIES, INC., including the name of the dealership where you purchased the appliance, a copy of your receipt showing the date of the appliance's purchase, and the serial number on your appliance. At that time, you may be asked to ship your appliance, freight charges prepaid, to TRAVIS INDUSTRIES, INC. TRAVIS INDUSTRIES, INC., at its option, will repair or replace, free of charge, your appliance if it is found to be defective in material or workmanship within the time frame stated within this 7 year warranty. TRAVIS INDUSTRIES, INC. will return your appliance, freight charges (years 1 to 5) prepaid by TRAVIS INDUSTRIES, INC., to your regional distributor, or dealership.
4. Check with your dealer in advance for any costs to you when arranging a warranty call. Dealers may require you to pay a service or trip charges for any warranty work. This charge can vary from store to store.

Listed By **OTL** Beaverton Oregon, USA  
 OMI-Test Laboratories, Inc.  
 REPORT #028-S-47-4

**DO NOT REMOVE THIS LABEL**  
 CONTACT LOCAL BUILDING OR FIRE OFFICIALS ABOUT  
 INSTALLATION AND RESTRICTIONS IN YOUR AREA.  
 ROOM HEATER SOLID FUEL TYPE APPLIANCE ALSO FOR USE IN MOBILE HOMES  
 SUITABLE FOR USE IN FACTORY-BUILT (Z.C.) FIREPLACES AND MASONRY FIREPLACES.



**MODEL:**  
**ANSWER (ANSWER-NT)**

TESTED TO UL 1482 AND APPLICABLE SECTIONS OF UL 127, 737 AND 907.  
 FOR USE WITH SOLID WOOD FUEL ONLY

**SERIAL  
 NUMBER**

**PREVENT HOUSE FIRES** - Install and use only in accordance with the manufacturer's installation and operating instructions. Contact your local building or fire officials about restrictions and installation inspection in your area. Refer to local building codes and manufacturer's instructions for precautions required for passing a chimney through a combustible wall or ceiling. Do not run a chimney connector through a combustible wall or ceiling. Do not connect this unit to a chimney flue serving another appliance. Clearances may be reduced by methods specified in NFPA 211, listed wall shields, pipe shields, or other means approved by local building or fire officials. Inspect and clean chimney frequently, under certain conditions of use creosote build up may occur rapidly. Do not overfire. If heater glows, you are overfiring. Maintain 36" front clearances to all furnishings and other combustible materials. Do not use grate or elevate fire, build wood fire directly on hearth. Operate only with door closed.

**OPTIONAL EQUIPMENT:** Front or rear blower (electrical rating: 115V, 60 Hz., 1.8 Amps)  
 Replace glass only with LOPI supplied NEOGERAM ceramic glass (5mm).  
 Do not route power cord under or in front of appliance.

**FREESTANDING INSTALLATION**

**STANDARD RESIDENTIAL FREESTANDING INSTALLATIONS REQUIRE:** 6" diameter, minimum 24 MSG black or 25 MSG blued steel connector, with listed UL-103 HT factory-built chimney, suitable for use with solid fuels or masonry chimney. Pedestal or legs are required.

**ALCOVE INSTALLATIONS REQUIRE:** One of the Listed doublewall connectors listed below. Pedestal or legs are required. Maximum alcove depth 48", minimum alcove height 84".

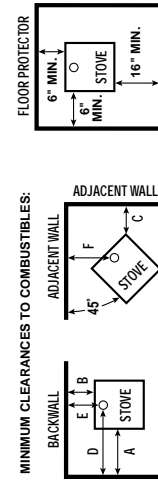
**MOBILE HOME AND REDUCED CLEARANCE INSTALLATIONS REQUIRE:** One of the Listed doublewall connectors listed below. In addition, mobile home installations require outside air - use the Lopi Answer optional pedestal or outside air boot. Pedestal or legs are required.

- DURAVENT model DVL with DURA-PLUS chimney
- AMERI-TEC model DCC with model HS chimney
- SECURITY model DP with SECURITY model ASHT or S2100 chimney
- GSW model Super Chimney Twenty-One connected directly to appliance
- SELKIRK METALBESTOS model DS connector with model SSII chimney
- DURAVENT Model DVL with DURA-TECH chimney

CLEARANCES AND FLOOR PROTECTION REQUIREMENTS:	STANDARD RESIDENTIAL INSTALLATION (SINGLEWALL CONNECTOR)	MOBILE HOME ALCOVE AND REDUCED CLEARANCE INSTALLATIONS (REQUIRES DOUBLE WALL CONNECTOR)
A. SIDEWALL TO UNIT	18"	13"
B. BACKWALL TO UNIT	16.5"	9"
C. CORNERWALL TO UNIT	10"	7.5"
D. SIDEWALL TO CONNECTOR	27"	21.5"
E. BACKWALL TO CONNECTOR	19.5"	11.5"
F. CORNERWALL TO CONNECTOR	19.5"	16.5"

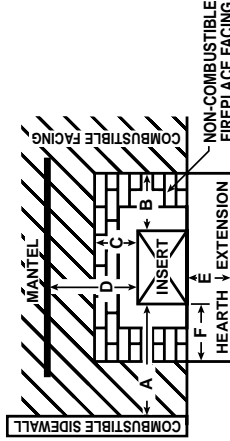
**U.S. ENVIRONMENTAL PROTECTION AGENCY**  
 Certified to comply with July 1990 particulate emission standards.

DATE OF MANUFACTURE	2002	2003	2004
Jan.	■	■	■
Feb.	■	■	■
Mar.	■	■	■
Apr.	■	■	■
May	■	■	■
June	■	■	■
July	■	■	■
Aug.	■	■	■
Sep.	■	■	■
Oct.	■	■	■
Nov.	■	■	■
Dec.	■	■	■



Manufactured By:  
**Travis Industries, Inc.**  
 10850 117th Pl. N.E., Kirkland, WA 98033

**LISTED FIREPLACE INSERT FOR INSTALLATION INTO A FACTORY-BUILT (Z.C.) FIREPLACE OR MASONRY FIREPLACE**



Minimum Clearance to Combustibles and Hearth Requirements	Masonry Fireplace Installations	Factory-Built (Z.C.) Fireplace Installations
A.	13"	30"
B.	9.5"	12"
C.	12"	12"
With Shield	N/A	N/A
D.	15.5"	24"
With Shield	N/A	N/A
Hearth Extension Front	16"	16"
Hearth Extension to Sides	8"	8"

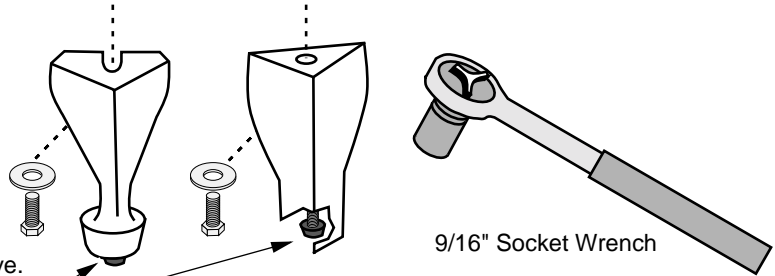
Masonry fireplace installation requirements, install with facing shroud plates, do not remove firebrick or mortar from masonry fireplace, install with or without a direct flue connection.  
 Factory-Built (Z.C.) Fireplace installations require a minimum 24" starter section directly connected to the fireplace chimney or a full re-line. Factory-Built (Z.C.) Fireplace chimney must have a minimum cross-sectional area of 28.85". The Factory-Built (Z.C.) Fireplace damper and control must be removed, or secured in the open position. For minimum Factory-Built (Z.C.) Fireplace firebox size, see manufacturer's installation instructions. Factory-Built (Z.C.) Fireplace floor protection must be 3/8" minimum non-combustible material or equivalent, extending 16" in front of insert and 8" to both sides. A metal deflector plate must be installed if the flue collar is not completely behind the lintel plate of the Factory-Built (Z.C.) Fireplace openings.

0240 (IGN)

## Stove Leg Installation (Brass # 99200500, Cast Black # 99200800, Black Steel # 99200100)

Raise the stove 8" (use lumber). Attach each leg following the instructions below.

Attach each leg to the stove by inserting a bolt and washer through the hole or slot in the leg and into the threaded hole on the stove.

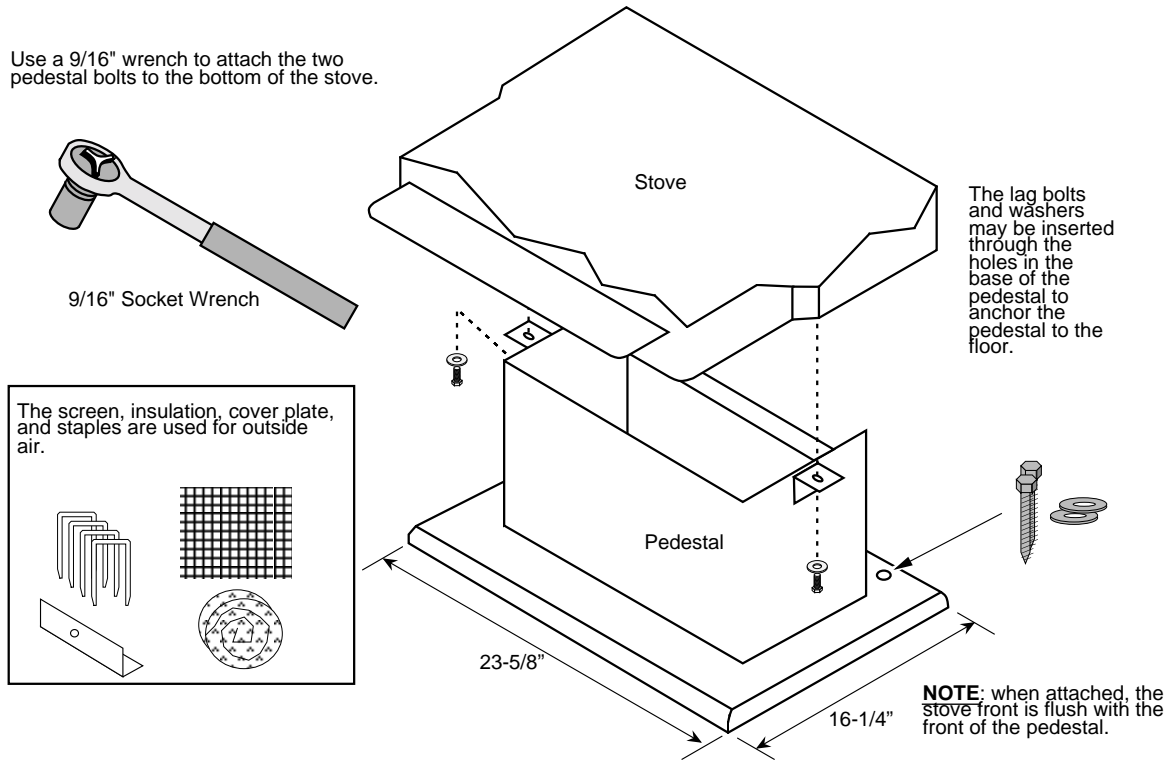


These rubber-tipped bolts are for leveling the stove. Make sure they contact the floor. Do not adjust with weight on the legs, the rubber tips may tear.

## Pedestal (Part # 99200106)

**i** If using outside air with the pedestal, follow the directions below under "Using Outside Air with the Pedestal" prior to installing the pedestal.

Use a 9/16" wrench to attach the two pedestal bolts to the bottom of the stove.



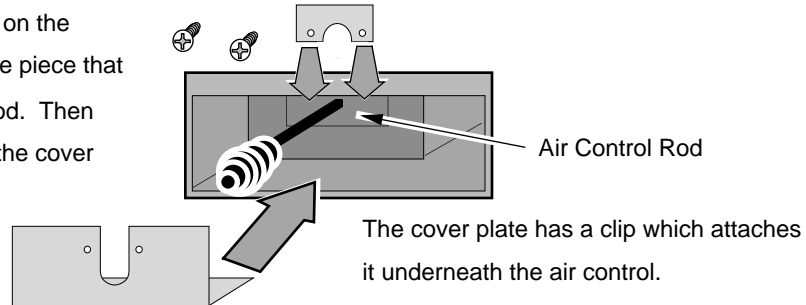
### Using Outside Air with the Pedestal

Before installing, check the section "Outside Air Requirements" on page 11 for installation concerns.

1. Determine the location of the outside air hole penetrating the floor (& hearth). The illustration above details the size of pedestal and its location in relation to the stove. The hole may be cut anywhere underneath the pedestal, as long as it is not within 2" of the outside perimeter of the pedestal, is at least 16 square inches in area, and does not interfere with structural members of the home. Place the rodent screen over the hole (above or below) and secure with staples.

2. Lift the stove and place a piece of wood along one side to keep it elevated. Use a screwdriver to pry out the forward knock-out underneath the stove (it is 4" wide and 2" deep).
3. Attach the stove to the pedestal with the included bolts. Tuck the included insulation underneath the side edges of pedestal to seal off any air from entering underneath the pedestal.
4. Attach the cover plate to the front of the stove. Remove the two screws that hold the piece that fits over the air control rod in place. Slide the air control plate in place underneath the air control rod. Replace the piece removed from the cover plate. The cover plate should form an air-tight seal against the air control portion of the stove (see the illustration below).

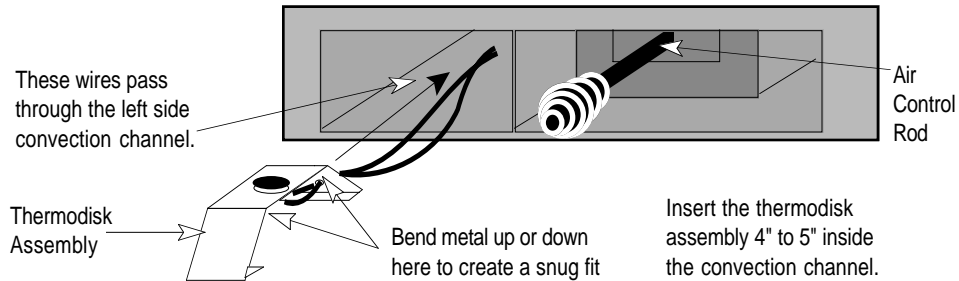
Remove the two screws on the cover plate to remove the piece that fits over the air control rod. Then replace the piece when the cover plate is in place.



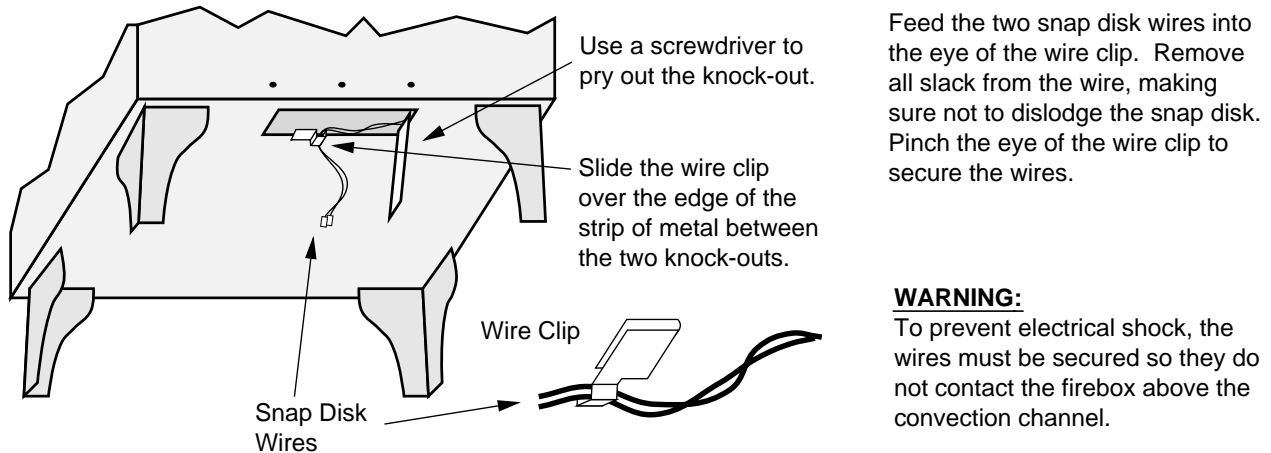
## Rear Blower Installation (Part number 99000138)

The rear blower improves heat transfer by pushing heated air through the convection channel. Operating instructions are described in the section "Blower Operation" on page **Error! Bookmark not defined.**

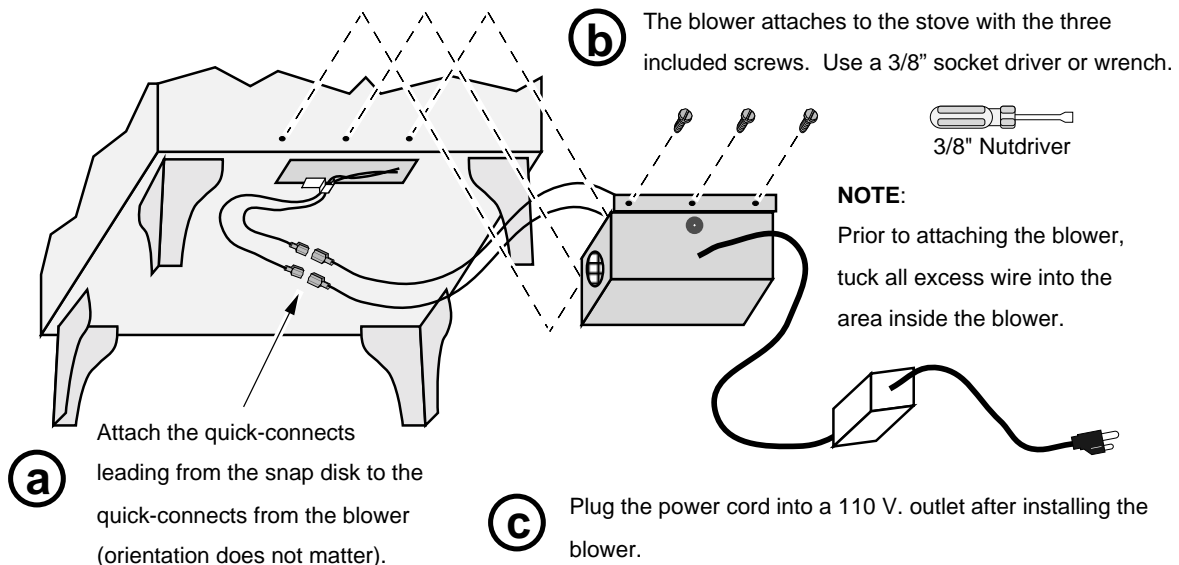
- 1 The stove should be in place with the legs installed prior to installing the rear blower.
- 2 Follow the directions below to install the thermodisk.



- 3 Install the wire clip following the directions below.



- 4 Attach the blower following the directions below.

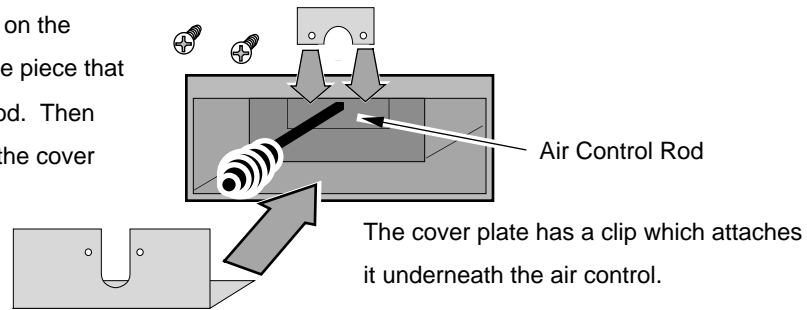


### Outside Air Boot Installation (Part number 99200134)

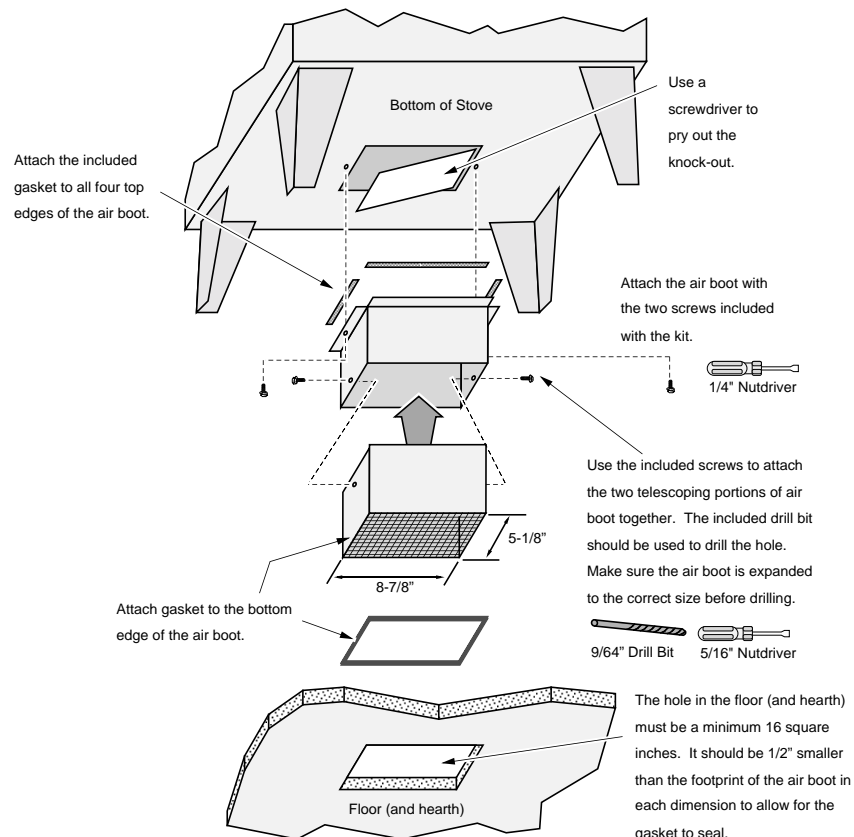
The outside air boot routes outside air to the stove for combustion. Refer to the section "Outside Air Requirements" on page **Error! Bookmark not defined.** for installation concerns. The directions below detail installation.

- 1 Install the cover plate following the directions below (use the cover plate that is 6-1/2" wide).

Remove the two screws on the cover plate to remove the piece that fits over the air control rod. Then replace the piece when the cover plate is in place.



- 2 Refer to the illustration on the following page to determine the location and size of the hole penetrating the floor and. Cut the hole prior to locating the stove.
- 3 Attach gasket to the bottom edge of the lower air boot section (near the screen). Attach gasket on top of the flanges on the upper air boot section. Slide the two sections together with both seams facing the rear (do not attach the two sections at this time).
- 4 Follow the directions below for attaching the upper section of the air boot (with gasket) to the stove.
- 5 Slide the lower section down until it contacts the hearth. Attach the two sections together following the directions below



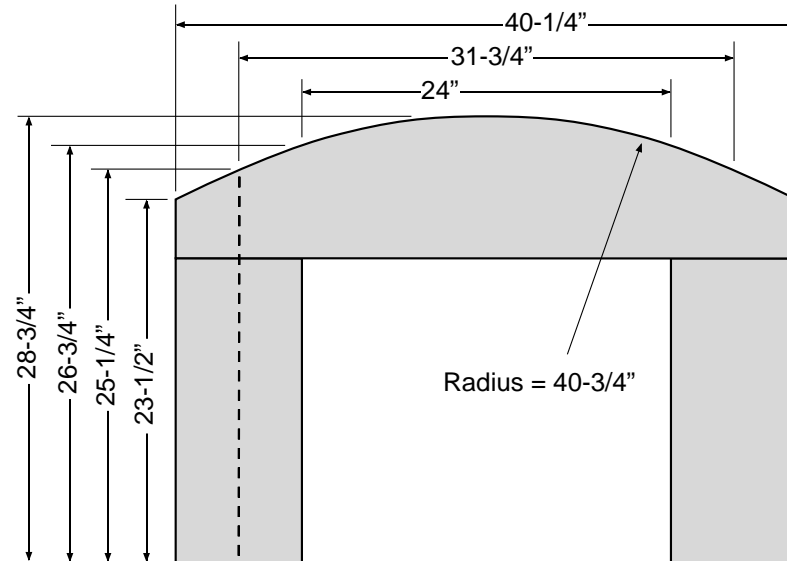


## Surround Panels (see part #'s below)

### Rectangular Panels:

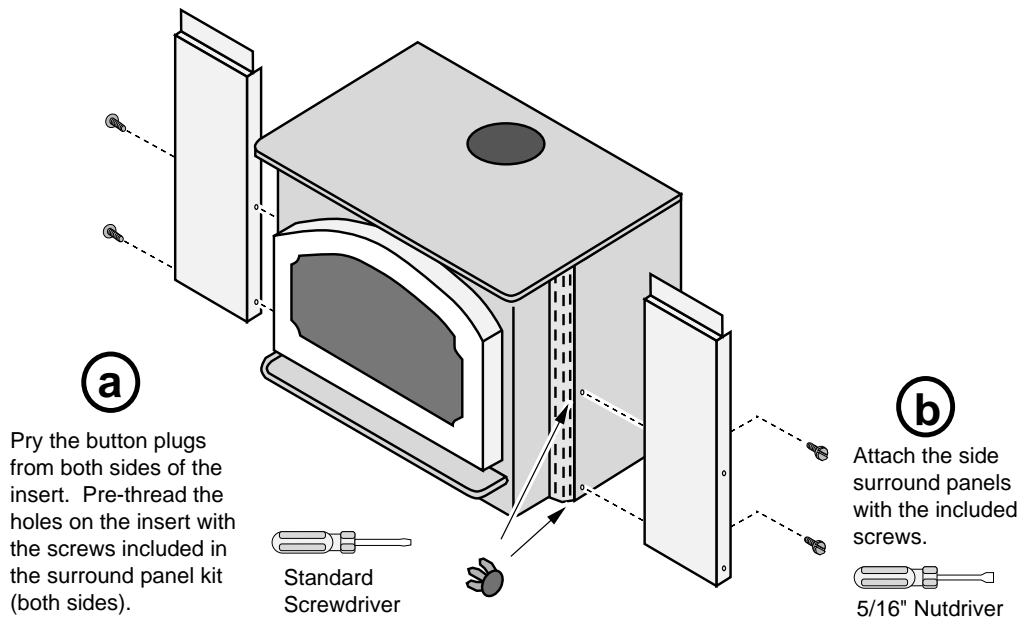
Surround Panel Size	Size on Appliance (Including Trim)	PART #
8"	40 1/8" width by 28 1/4" height	99300106
10"	44 1/8" width by 30 1/4" height	99300107

### Arched Panels (Part # 99300108)



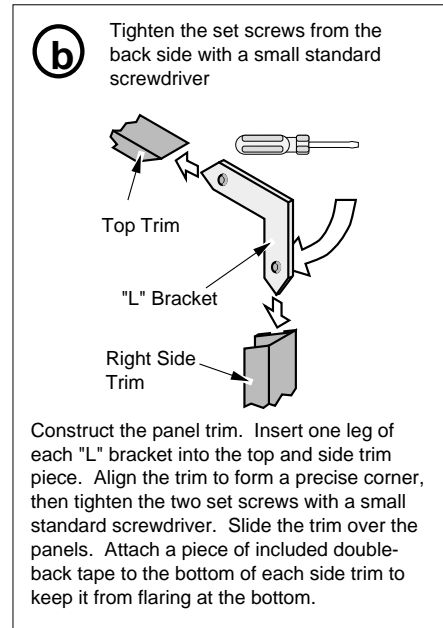
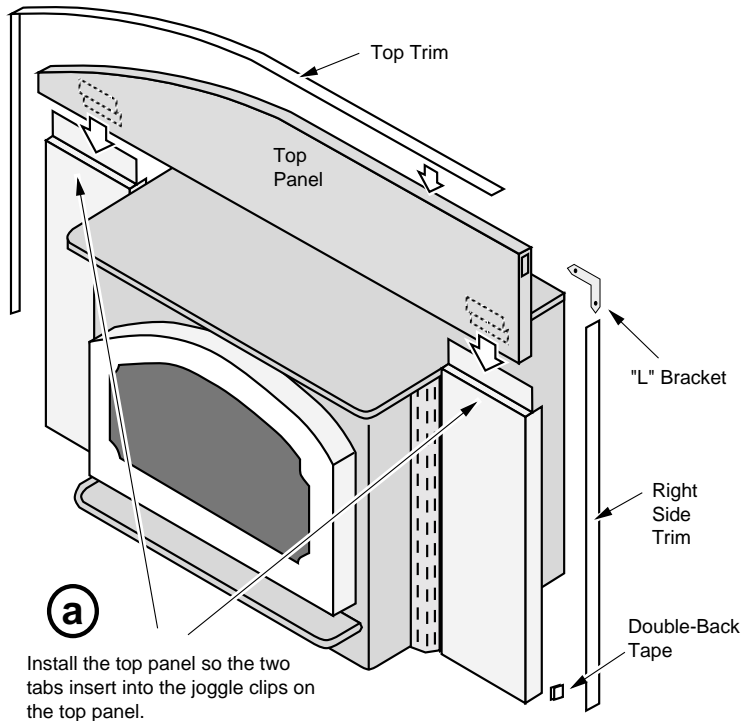
## INSTALLATION INSTRUCTIONS

1. With the insert 12" from the fireplace, install the side surround panels (see the directions below).



2. Adjust the position of the side panels so they are: 1) aligned with the top of the insert; 2) both the same distance back from the front of the insert; 3) perpendicular to the floor (use the top panel, if necessary, to judge alignment). Tighten the screws that hold the side panels in place.

- Place the insert into the fireplace and connect the flue (if using a positive or direct connection). Install the top panel and trim following the directions below.



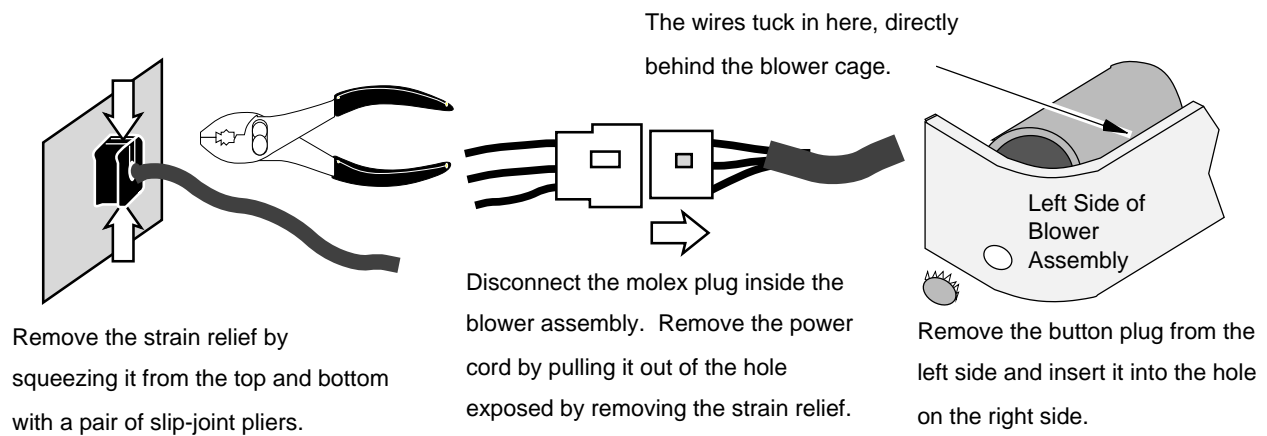
### Insulation Installation (required for face seal installations only)

- With the insert drawn 6" from the fireplace, glue the insulation strip included with the surround panel kit to the back of the panels using RTV silicon or stove gasket cement. The insulation should be installed so it overlaps the fireplace opening to form a seal between the panels and the fireplace face. Let the silicon or cement dry.
- Push the insert into the fireplace, allowing the insulation to form a seal between the panels and the fireplace. Use a screwdriver to tuck any exposed insulation behind the panels.

## Front Blower (part # 99000128)

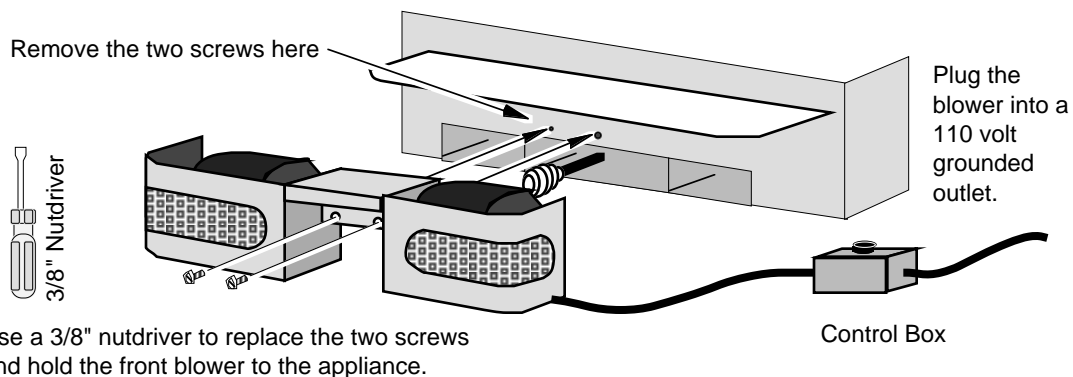
### TO SWITCH THE POWER CORD TO THE LEFT SIDE:

Use a pair of pliers to disconnect the strain relief which holds the power cord in place. With the power cord slackened, the moxex connectors that attach the power cord to the blower assembly may be disconnected. Pry the button plug from the left side of the blower assembly and insert it into the hole on the right side. Pull the left side moxex connector out from behind the deflection plate and cut the nylon tie that holds the wire back. Insert the moxex connector on the power cord through the hole on the left side of the blower assembly and attach it to the left side moxex connector. Route the wire directly behind the blower cage. Place the strain relief over the power cord (it should be in the same location on the power cord that it was before – approximately 2" from where the wires split). Insert the strain relief into the hole on the left side until the strain relief locks in place. Make sure the power cord, wires, or moxex assembly do not protrude into the opening of the blower.



### INSTALLATION INSTRUCTIONS

1. Remove the two screws above the air control and beneath the ashlip. Place the blower assembly underneath the ashlip and replace the two screws removed. Before tightening the screws with a 3/8" nutdriver, lift the blower up so it tucks underneath the ashlip.



2. Plug the power cord running from the control box into a grounded 110 volt electrical outlet.

Air Control .....	25	Installation (stove) .....	7
Air Tube Part Number .....	33	Installation (insert) .....	17
Air Tube Removal & Replacement .....	34	Leg Installation .....	37
Alcove.....	12	Listing Label.....	36
Ash Disposal .....	25	Maintenance .....	29
Baffle Parts .....	33	Masonry Fireplace.....	19
Baffle Removal and Replacement .....	33	Mobile Home Requirements .....	13
Blower Cleaning.....	31	Monthly Maintenance .....	30
Blower Does Not Run (Troubleshooting) .....	28	Noise (Normal Operating Sounds) .....	26
Blower Installation (rear) .....	39	Non-Combustible Alcove.....	12
Blower Installation (front) .....	43	Opening the Door .....	23
Blower Operation (optional) .....	26	Operation .....	23
Burn Rate .....	25	Outside Air Boot Installation.....	40
Cathedral Ceiling.....	14	Outside Air.....	11
Ceiling Penetration .....	10	Over-Firing the Stove .....	23
Chimney Cleaning .....	31	Overnight Burn .....	26
Chimney Inspection (Creosote) .....	31	Paint (Touch-Up Paint) .....	31
Chimney Requirements .....	10	Paint Curing .....	23
Chimney Termination Requirements.....	11	Rear Blower Installation.....	39
Cleaning the Ash.....	29	Re-Loading the Stove.....	26
Cleaning the Glass .....	29	Safety Label.....	36
Clearances (stove) .....	9	Safety Precautions .....	4
Clearances (insert) .....	18	Smell (from paint curing) .....	23
Close Clearance Connectors .....	9	Smoke Enters Room (Troubleshooting).....	28
Connector Requirements .....	10	Sounds (Normal Operating Sounds).....	26
Creosote Check .....		Starting a Fire.....	24
Daily Maintenance .....	29	Stove Does Not Burn Long Enough.....	26
Dimensions .....	6	Stove is Not Hot Enough (Troubleshooting) .....	28
Door and Glass Inspection .....	30	Table of Contents .....	3
Door Assembly .....	32	Touch-Up Paint.....	31
Door Gasket Replacement .....	32	Troubleshooting (Operation) .....	28
Door Handle Replacement .....	30	Warranty Card .....	2
Door Opening .....	23	Warranty.....	35
Door Parts .....	32	Wood.....	27
Draft Performance .....	10	Yearly Maintenance .....	31
Elbows (Chimney) .....	10		
Emissions .....	6		
EPA Approval .....	6		
Exterior Chimney.....	15		
Features.....	6		
Fire Starting .....	24		
Firebox Assembly.....	33		
Firebox Parts.....	33		
Firebrick and Baffle Inspection .....	33		
Firebrick Removal & Replacement .....	33		
Floor Protection Requirements (stove) .....	8		
Floor Protection Requirements (insert).....	18		
Glass Cleaning .....	29		
Glass Replacement .....	32		
Hearth (Floor Protection - Stove) .....	8		
Hearth (Floor Protection - Insert).....	18		
Hearth Stove .....	15		
Heating Specifications .....	6		
Hints for Burns.....	27		
Installation Options .....	6		