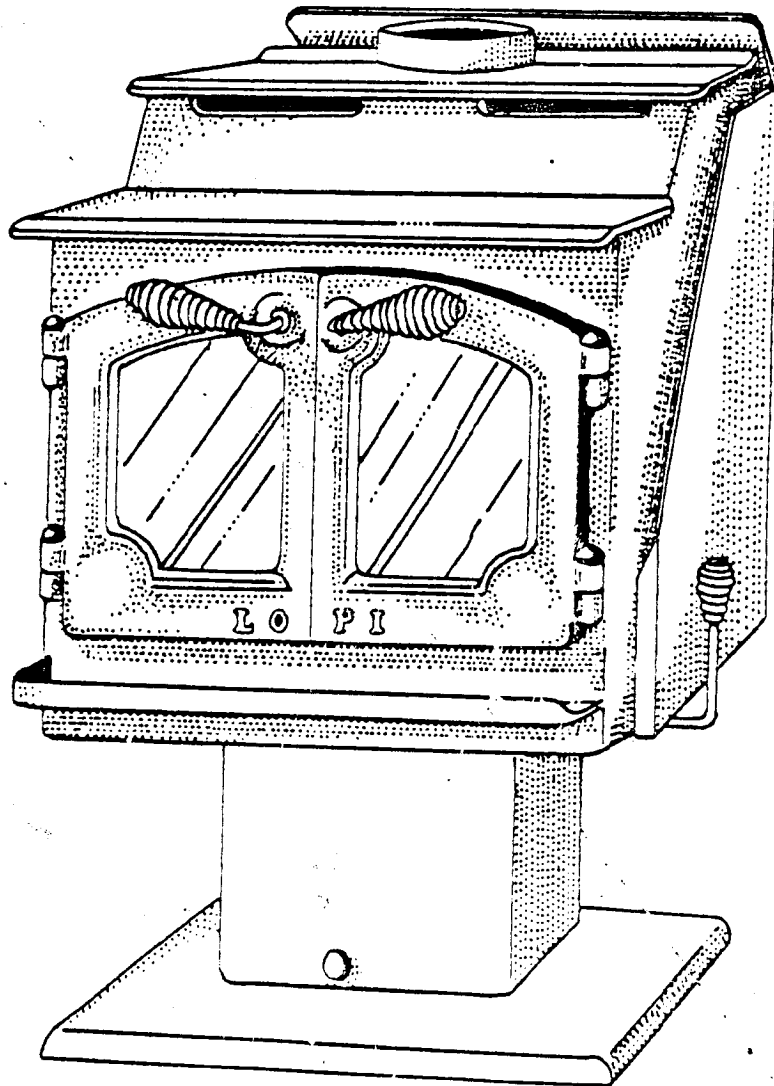




PRE-CLASSIFIED



OWNER'S MANUAL

Freestanding Woodstove M-440

For Mobile Home Installation (outside combustion air)
Or Conventional Home Installation (utilizing room air)

WELCOME TO LOPI

We wish to welcome you as a new owner of a LOPI woodburning appliance. In purchasing a LOPI product, you have joined the growing ranks of concerned individuals whose selection of an energy system reflects both a concern for efficiency and aesthetics.

We extend our continual support and guidance to help you achieve the maximum benefit and enjoyment from your new stove.

You are encouraged to familiarize yourself with the owner's manual before installing the stove. This manual covers in detail the necessary steps required in setting up, operating, and maintaining your woodburning stove. Also included are helpful hints which will help make the installation and operation of your new woodburning stove both an enjoyable and beneficial experience.

We at LOPI wish you many years of warmth and satisfaction.

Kurt W. F. Rumens

President
LOPI INTERNATIONAL, LTD.

INSTALLATION (FOR INSIDE AIR INSTALLATION SEE ITALICS)

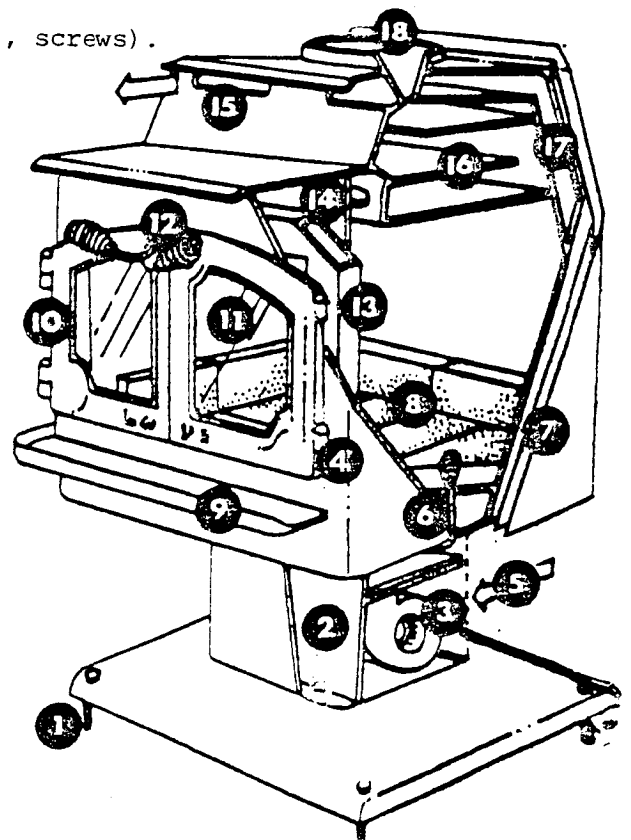
Some pre-installation assembly will make installation an easier task. This will include the removal of the doors and the installation of the glass.

Below, we have provided a general cut-away illustration on our stove to acquaint you with parts and operations that will be mentioned within the text of this manual.

Your LOPI M-440 will come delivered in two cartons. These will consist of:

1. The stove (includes hardware, firebrick, handles).
2. The glass (includes glass panes, retaining clips, screws).

1. Securing Bolts
2. Combustion Air Intake
3. 225 CFM Blower
4. 5/8" Hingepins & Heavy Hinge Assembly
5. Room Air Intake for Convection Chamber
6. Draft Control
7. Double Walled Heat Shield
8. Firebrick
9. Ash Fender
10. Cast Iron Loading Doors
11. High Temperature Glass
12. Spring Handles
13. Air Induction Tube
14. Airwash
15. Warm Air Exit for Convection Chamber
16. Folded Baffle
17. Convection Chamber
18. Stove Flue

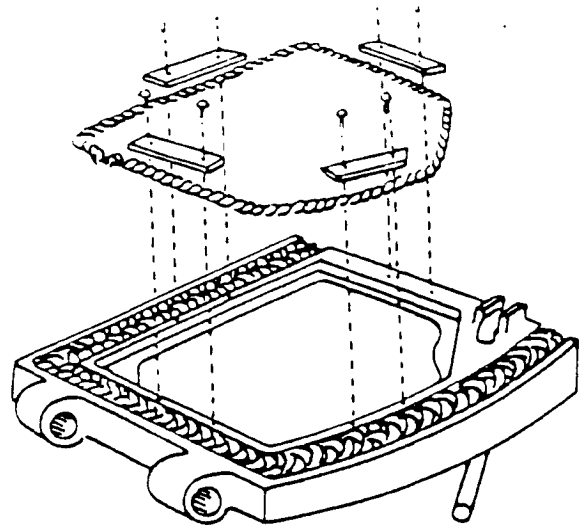


Before beginning installation of this stove, it is advisable to lighten it as much as possible to provide greater ease in moving. To do this, remove loading doors on the stove and remove contents. Once this has been done, you are ready to install the high temperature glass into the doors.

A. GLASS INSTALLATION:

List of parts found in box.

1. 2 Glass Panes
2. 8 Metal Retaining Clips
3. 16 Metal Screws



INSTRUCTIONS:

1. After the doors have been removed from the stove, take them to a table and place them face down with handle positioned to hang over the edge of the table. (To protect both doors and table, place a folded towel between the door and the table.)

2. Place glass, with gasketing attached, into the doors. Make sure glass is evenly centered in the door frame. If etched glass, place etched surface (rough side) down so it will face to the outside of the door. If gasketing is not on glass, you will have to apply it. Find adhesive-backed gasketing in glass boxes and adhere around glass. Make sure gasketing meets where it will be covered by the casting of the door.

3. Place the metal retaining clips around the door frame and glass. (Small clip with angled edges goes to top.) Tighten each screw firmly, not overtight. Caution must be taken in tightening screws, too loose or too tight can result in glass breakage! (See note below)

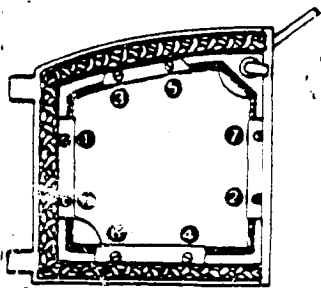
4. DO NOT RE-APPLY DOORS UNTIL STOVE HAS BEEN COMPLETELY INSTALLED!

NOTE: For uniform gasket seal & glass tension.

a. Turn screws in order shown until heads meet metal retaining clips.

b. Now tighten each screw again to firmly secure glass into door.

Follow the numbered layout provided for the tightening sequence.



B. INSTALLATION FOR MOBILE HOME APPLICATION:

THIS UNIT MEETS ALL REQUIREMENTS OF THE DEPARTMENT OF HOUSING AND URBAN DEVELOPMENT (HUD) FOR MOBILE HOME CONSTRUCTION AND SAFETY STANDARDS.

The LOPI M-440 has been designed and manufactured to meet specification required for installation in mobile homes and for conventional home owners who desire an installation that provides close clearances to combustibles and uses outside air as its' air source.

This freestanding stove requires pre-installation work to be completed before installation of the unit can take place. This will include the preparation of the floor and appropriate hearth pad for acceptance of outside air, and roof modifications of flue and chimney.

Installation of your stove also requires some preparation and home work. Learn your local building codes; you may be required to get a building permit before installing your stove. Your Local Building Inspection Department will be happy to assist you in information regarding installation requirements in your area.

Notify your home insurance company that you plan to install a woodburning stove in your home.

Before ever using your stove, have it inspected and approved in writing by your local building inspector.

WARNING: CARELESS INSTALLATION IS THE MAJOR CAUSE OF SAFETY HAZARDS. CHECK ALL LOCAL BUILDING AND SAFETY CODES BEFORE INSTALLATION.

NOTE: PREPLAN ALL INSTALLATION TO DETERMINE STOVE POSITION, HEARTH SIZE AND OUTSIDE AIR INTAKE POSITION.

It is best to select a location within the mobile home that will allow the air to be circulated freely to other parts of the home. When selecting a placement for the M-440, check for possible interference within the structure of the mobile home, as to where the air intake and chimney will be installed.

THE STRUCTURAL INTEGRITY OF THE MOBILE HOME FLOOR, WALLS AND CEILING/ROOF MUST BE MAINTAINED.

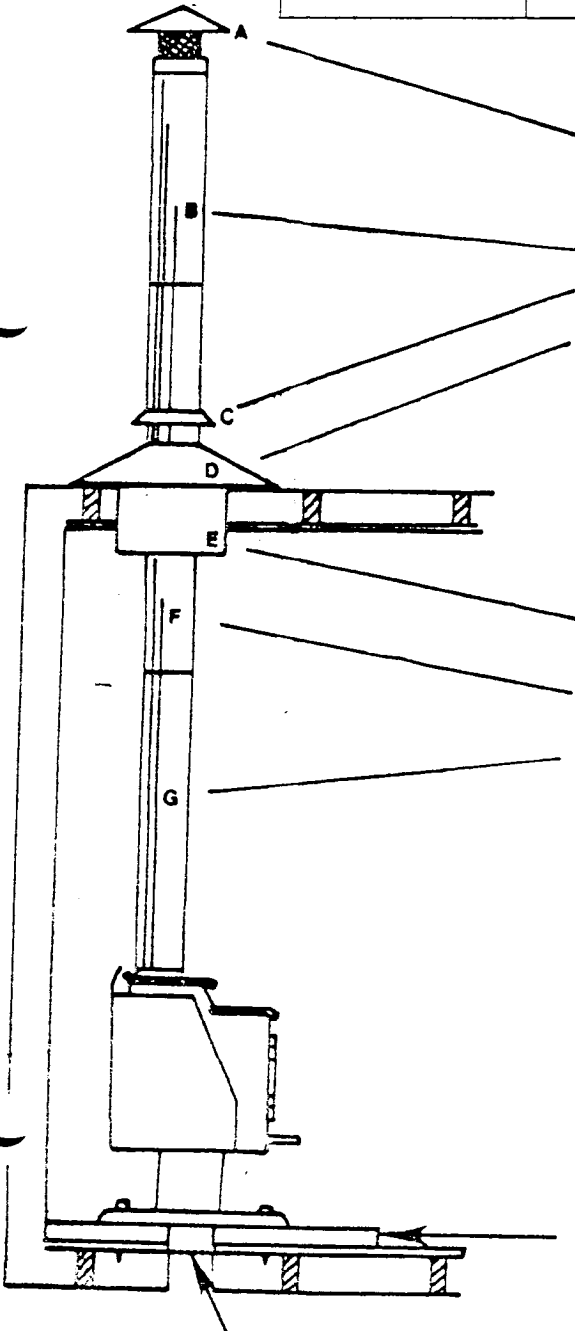
The LOPI M-440 Mobile Home Stove must meet the following requirements to have it meet (HUD) requirements.

1. Under NO situation shall this unit be installed in a sleeping room.
2. As all mobile homes are built tightly, outside air must be used as the only source of combustion air.
3. The stove must be securely installed to the mobile home floor and hearth.
4. The stove must be placed on a non-combustible hearth pad.
5. The weight of the stove, chimney connection and hearth extension must be spread over an area so as to not exceed the 40 lbs. per square foot floor load limit. (See section in hearth pad for further information.)
6. This stove requires UL listed chimney and flue pipe with spark arrestors, and must be attached directly to the stove.
7. The minimum ceiling height of the room in which the unit is to be installed must not be less than 7 feet.

OUTSIDE AIR INSTALLATION (MOBILE HOME)

C. Manufacturer

	Raincap Spark Arrestor	Exterior Pipe	Storm Collar	Flashing	Support Box or Radiation Shield	Slip Connector (if needed)	Interior Pipe
	A	B	C	D	E	F	G
DURAVENT	Kit 5093 6"					Kit 8693 6"	
SECURITY	Security Mobile Home Kit	L series 6" pipe	Security Mobile Home Kit			None	L series 6" pipe
PROJET	No. 6RCSA	6" GL/SL pipe	Kit RF17		6GSB Support box	None	6" GL/S pipe



A. Rain Cap with Spark Arrestor

B. Exterior Chimney Pipe

C. Storm Collar

D. Flashing

E. Support Box

F. Slip Connector

G. Interior Stove Pipe

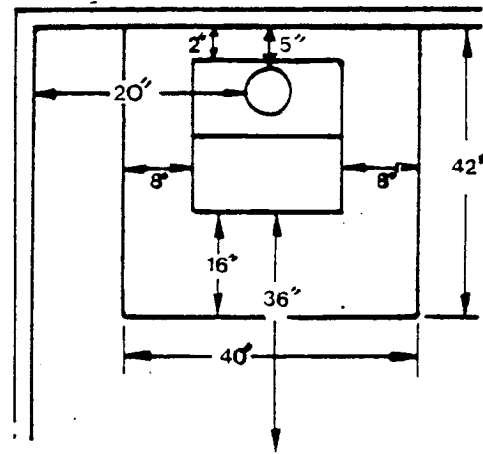
Hearth Pad

Rodent Guard

D. Clearances to combustibles:

The Lopi M-440 is designed for close clearances to combustibles. All clearances were derived with and requires usage of the following type flue pipe: Duravent DVL type L, Security or Projet Chimney Pipe (see list of parts on preceeding page). Clearances on installation parallel to wall.

* Clearances to combustible wall must be taken from flue pipe (see diagram)

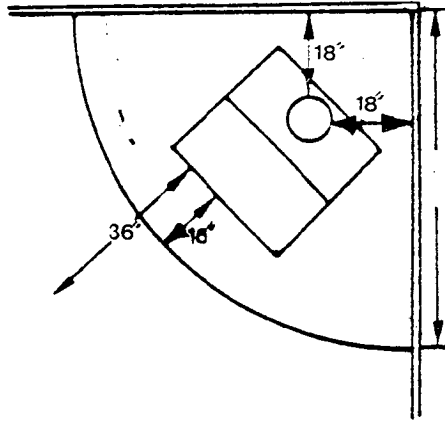


- A. Minimum clearance from stove flue pipe to combustible side walls 20".
- B. Minimum clearance from stove flue pipe to combustible backwall 5".
- C. Minimum clearance from stove front to any combustible objects, such as furniture, chairs, etc. 36".

NOTE: Objects such as doors, drapes, etc. should not swing closer than 36" from the stove.

Clearances on 45 degree corner installation:

*Clearances to combustible walls must be taken from flue pipe (see diagram)



- A. Minimum clearance from stove flue pipe to combustible side walls 18".
- B. Minimum clearance from stove front to any combustible object, such as furniture, chairs, etc. 36".

NOTE: Objects such as doors, drapes, etc. should not swing closer than 36" from the stove.

E. Hearth Pad

A hearth pad of non-combustible material of a minimum of 3/8" thick is required for installation.

The M-440 must be located on the hearth pad so as to allow for 8" of extension beyond the sides of the stove. 2" of extension beyond the back of the stove and 16" beyond the stove loading doors.

If a load limit regulation of 40 lbs. per square foot is applicable then a hearth pad of 40" deep by 42" wide is required for the parallel installation. A 45 degree corner installation will require a pad of 21 sq. feet/62" along both walls (see clearance dwgs).

F. Outside Air Intake Installation (Also applicable to conventional home installation):

To allow for the outside combustion air, you will be required to cut a matching hole in the hearth pad and the mobile home floor and install the rodent guard.

NOTE: If a structural member of the mobile home falls under the proposed air location, the hole must be moved to accommodate this obstruction. Same applies to the stove chimney assembly. The structural integrity of the mobile home must be maintained. Again preplan all installations.

To begin this procedure first place the hearth pad in the desired location (please recall clearances). Mark the pads position on the floor and remove it.

Remembering the required clearances for the hearth pad (given previously) mark how the stove will be situated on the hearth. You should have a 22" x 21 3/4" area marked on the pad as to the stoves position. Next measure in 3" all around the marked outside dimension of the stove. This will give you the area in which the outside air intake can be placed.

Position within this area a 4 1/2" diameter hole.

Next transpose this 4 1/2" diameter hole onto the mobile home floor. Check to make sure no structural member falls beneath this area. Then cut this hole into the mobile home floor.

Next cut a corresponding hole into the hearth pad.

G. Rodent Guard:

To prevent rodents from entering the home from this hole a rodent guard is required. You will be required to install the rodent guard.

Material: 1 square foot 1/4" mesh screened wire.

Place the screen material over the bottom or top of the opening, firmly secure with heavy duty staples.

Finally replace and align the hearth pad over the air intake along the lines previously marked.

H. Securing the Stove:

Place the stove on the hearth and align to previously marked position.

Next locate 4-4" x 1/4" hex head wood screws. These will be used to anchor the stove securely to the floor of the mobile home.

To accomplish this you will be required to predrill the hearth pad and the floor.

1. With a 1/4" drill bit, carefully drill through the hearth pad, using the holes in the base of the stove as a guide. Pay special attention not to drill into the floor.
2. Next with a 3/8" drill bit, carefully drill through the floor boards of the mobile home (these will act as guides for the wood screws).
3. Next place four (4) securing bolts into the respective holes and tighten securely.

I. Chimney Installation:

To install the chimney, place a plumb bob from the ceiling down over the top of the center of the flue opening. Mark this location on the ceiling.

NOTE: Be sure that no structural members fall through the area of the flue exit. As stated before preplanning is necessary in determining all alterations in the structure of the mobile home.

Chimney kits are offered by all three of the tested pipe manufacturers. Please refer to the illustration (pg. 6) and following chart for chimney parts needed for installation. Each kit will include detailed instructions as to installation of each respective kit.

When constructing the chimney make note that the pipe extends at least three (3) feet above that part where the chimney pipe passes through the roof and at least two (2) feet higher than the highest point on the mobile home roof within 10 feet of the chimney.

Note when installing flashing be sure to completely waterproof the edges and nail holes with mastic or simalar sealing compound.

J. Grounding the Stove:

Enclosed within the stove please find a strip of No. 8 copper wire 12" in length with pressure fittings attached. This wire must be secured in such a way as to ground the stove to the chassis of the mobile home.

K. Inside Combustion Air Installation (Optional):

The following installation applies only when room air is desired for combustion in the M-440.

WARNING: OUTSIDE AIR IS MANDATORY IN ALL MOBILE HOMES, DUE TO THEIR AIR TIGHT CONSTRUCTION.

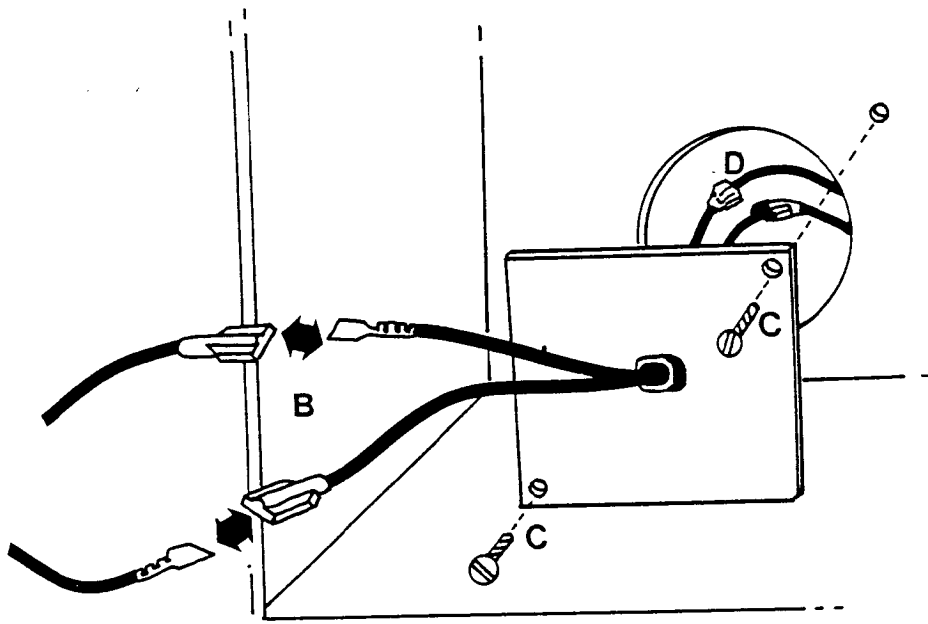
When planning to use inside combustion air with the M-440 you will be able to delete the installation of the outside air vent, rodent guard and the securing of the unit to the floor and hearth.

To allow for inside combustion air, please follow these instructions:

- A. Remove blower from back of unit (do not disconnect wires) unit simply slides out.
- B. Note the attached plate in the front of the blower compartment. Disconnect blower control wires that lead to this plate by simply pulling apart the clips along the wires.

- C. Remove the 2 screws securing the plates and pull the plate away.
- D. Note the wires and connections on the back of the plate and disconnect wires as was done before.
- E. After removing the plate reconnect the blower control wire back through the opening made by the removal of the plate. Reinstall blower.

The opening provided by removal of this plate will allow inside room air to be used for combustion in the M-440.

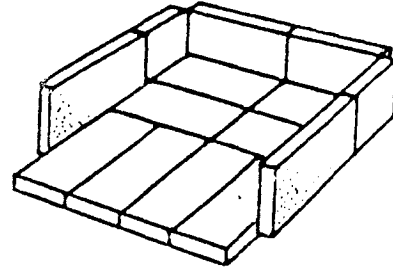


L. Firebrick:

Firebrick is provided to protect and extend the life of the steel and helps radiate heat evenly throughout the stove.

Below is installation instructions for firebrick for the M-440:

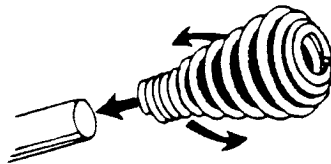
1. Place two firebricks horizontally along the back wall of the stove floor.
2. Place one and 1/2 firebricks along both sides of the stove floor.
3. Place six firebricks along the floor of the stove in the sequence suggested by the preceding illustration (4 in back, 2 in front).



L. Final Touches:

Finish installation by reinstalling doors and applying spring handles to doors and draft control.

NOTE: To install the spring handles simply push spring handle down over the metal post. While at the same time turning counterclockwise. This will allow the spring handle to open enough to allow for easy placement over the metal post.



OPERATION

WARNING: TO BUILD A FIRE IN IGNORANCE OR DISREGARD THE INFORMATION PROVIDED IN THIS SECTION CAN CAUSE SERIOUS PERMANENT DAMAGE TO THE UNIT AND VOID YOUR WARRANTY!

First Fire:

When your installation has been completed and inspected you are ready to build your first fire.

1. Fully set open the draft control, located on the right side of the stove.

2. Open loading doors and build a small fire in the stove using paper and dry kindling. Secure doors on the firebox and wait a few minutes for a good updraft to establish the fire.
3. Now place two or three THOROUGHLY DRIED logs on the burning kindling and reseal doors.
4. After about 30 to 45 minutes of burning, when the wood has begun to burn strongly, close the draft control down to a medium setting to keep the fire burning at a MODERATE LEVEL. This allows the heat to be transferred through the stove rather than up the chimney.

WARNING: NEVER BUILD A ROARING FIRE IN A COLD STOVE. ALWAYS WARM YOUR STOVE UP SLOWLY AND TO A MODERATE LEVEL.

5. Once a bed of coals has been established you may adjust the draft control to a low setting to operate at the unit's most efficient mode. NEVER COMPLETELY CLOSE DRAFT CONTROL DURING OPERATION! Doing so can lead to a dangerous build-up of gas vapors within the stove.
6. During the first few fires, keep the combustion rate at a MODERATE LEVEL as was stated before. Avoid burning fires with draft controls wide open for long periods of time, this will result in an updraft fire which will result in a very hot fire with most of the heat escaping up the chimney.
7. For the first few days the stove will give off an odor from the paint. This is to be expected as the high temperature paint becomes seasoned to the metal. Do not burn stove at a very high temperature the first few days to allow the seasoning to take place, high temperatures may damage the paint.

Daily Use

Kindle fire in the same fashion as was done for the "FIRST FIRE". When the wood is burning well (30-45 minutes) adjust the draft control to lessen the air intake and maintain a slow, efficient burn.

Each time the stove is refueled, allow the fire to burn hot for about 15 minutes with the draft control wide open. This allows the excess wood moisture to evaporate and get wood burning efficiently. Once wood is burning adjust draft control to your desired setting.

Safety Precautions in Operation

1. Use only dry seasoned wood (dried at least one year).
2. Never use gasoline-type lantern fuel, kerosene, charcoal lighter or similar liquids to start or "Freshen Up" a fire. Keep all such liquids well away from the stove while in use.
3. Do not use the stove for any other purpose but for heating.
4. Do not load fuel in unit when fire is burning strongly.
5. Do not allow stove to get into an "Overfire Condition," that is, to build a fire larger and hotter than necessary.
6. Do not burn large quantities of paper or combustible materials that could create an extremely hot quick fire.
7. Keep all household combustibles at least 3 feet from wall.
8. Do not use grates, iron or other methods of supporting fuel in your unit. Build the fires directly upon the brick hearth.
9. Educate children as to safety around the unit.

MAINTENANCE

It is very important to carefully maintain your stove. Burning seasoned wood and maintain a clean stove and chimney system. Have the chimney cleaned before the burning season and as necessary during the burning season, as creosote deposits may build up rapidly.

CREOSOTE

When wood is burned slowly, it produces tar and other organic vapors. These combine with moisture to form creosote. Creosote vapors condense in the relatively cool chimney flue of a slow-burning fire. As a result, creosote residue accumulates on the flue lining. When ignited this creosote makes an extremely hot fire.

WARNING: Things to remember in case of a chimney fire:

1. CLOSE ALL DRAFT AND DAMPER CONROLS.
2. CALL THE FIRE DEPARTMENT.

Ways to Prevent And Keep Unit Free of Creosote:

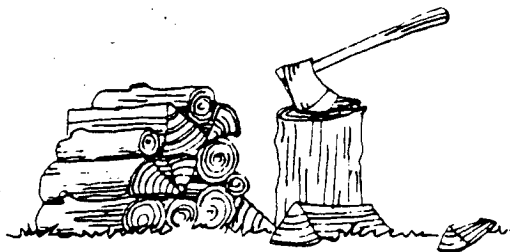
1. Burn stove with draft and damper controls wide open for about 45 minutes every morning during the burning season. This will burn out creosote deposits within the heating system.
2. Burn stove with draft and damper controls wide open for about 10-15 minutes every time you apply fresh wood. This allows wood to achieve the charcoal stage faster and burns wood vapors which might otherwise be deposited within the system.
3. ONLY BURN SEASONED WOOD! Avoid burning wet or green wood. Seasoned wood has been dried at least one year (see next page).
4. A small fire is preferable to a large smoldering one that can deposit creosote within the system.
5. Never completely close draft controls while unit is in operation. Closing draft while burning will allow unburned gas vapors to escape and be deposited within the chimney.

6. Check the chimney at least twice a month for creosote buildup during the burning season.
7. Have the chimney system and unit cleaned by competent chimney sweeps twice a year during the first year of use and at least once a year thereafter.

ASH DISPOSAL:

Lopi stoves features a convenient ash lip for easy removal of ash. During constant use, ashes should be removed every few days, or when they have built up to the loading door. Only remove ash when fire has died down, as in the morning. Even then, expect to find a few hot embers.

Ashes should be placed in a metal container with a tight fitting lid. The closed container of ashes should be placed on a non-combustible floor or on the ground, well away from all combustible materials, pending final disposal. If ashes are disposed of by burial in soil or otherwise locally dispersed, they should be retained in the closed container until all cinders have thoroughly cooled!



WOOD:

Use only dry, seasoned wood. Green wood, besides burning at only 60% of the fuel value of dry wood, deposits creosote on the inside of your stove and along the chimney. This can cause an extreme danger of chimney fire. To be called "Seasoned", wood must have been dried for a year. Regardless if the wood is green or seasoned, it should be stored in a well sheltered, ventilated area to allow proper drying during the year to come.

BRASS:

If unit is purchased with brass doors, be sure to use only brass cleaner approved by LOPI, purchased at your fireplace dealer. DO NOT UNDER ANY CIRCUMSTANCE CLEAN BRASS WITH AN ABRASIVE.

Glass

Should soot or creosote occur on glass during operation, clean, when stove is cold, with oven cleaner (such as Mr. Muscle) or approved creosote glass cleaner.

Creosote deposits on glass indicate the wood being used is not completely seasoned (dried). Remember to burn fire at a moderate level, dampering fire down to much will result in a slow burning, smoldering fire that will deposite creosote throughout the system.

WARRANTY

LIMITED WARRANTY

LOPI INTERNATIONAL, LTD. (the Company) warrants this LOPI woodburning unit against defects in metal components and workmanship as follows:

During the first three (3) years from date of purchase, the Company will replace defective parts at no charge to the original purchaser, and will pay reasonable repair charges associated with replacement of said defective parts; provided, however, the purchaser must obtain prior agreement from the Company as to the extent said repair charges are reasonable.

During the fourth (4) and fifth (5) years following the date of purchase, the Company will replace defective parts to the purchaser at the current factory costs regularly charged to dealers and will not assume responsibility for labor costs.

EXCLUSION: This limited warranty shall not include or extend to: paint, firebrick, gasketing, glass, nickel or brass trim, or to fans. Further, no warranty is extended to damage caused by or resulting from accident, improper handling or operation, abuse or misuse, improper installation (including failure to comply with local building codes) or any modifications or repairs made or attempted.

THIS LIMITED WARRANTY IS THE ONLY WARRANTY SUPPLIED BY THE COMPANY. ALL OTHER WARRANTIES, WHETHER EXPRESS OR IMPLIED, ARE HEREBY EXPRESSLY DISCLAIMED, AND PURCHASER'S RECOURSE IS EXPRESSLY LIMITED TO THE WARRANTIES SET FORTH HEREIN.

To make claim under this warranty, contact the dealer from whom you purchased this unit. If your dealer cannot be reached or is unable to provide service, contact the Company. In the event the unit must be returned to the factory for inspection or repair, purchaser must ship the same shipping prepaid to Lopi International, Ltd. 10850 117th Pl. N.E., Kirkland, WA 98033.

DATE PURCHASED _____ MODEL _____ SERIAL # _____