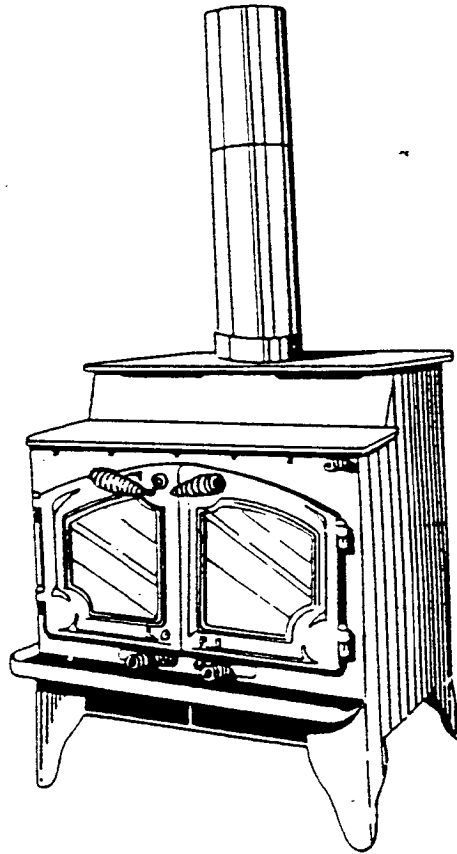




CLASSIC



OWNER'S MANUAL
freestanding stoves:
M-520/M-380

ALL UNITS TESTED AND APPROVED TO UL STANDARDS 1482 & 737, ICBO FILE NO. 4002

Installation

Operation

Maintenance

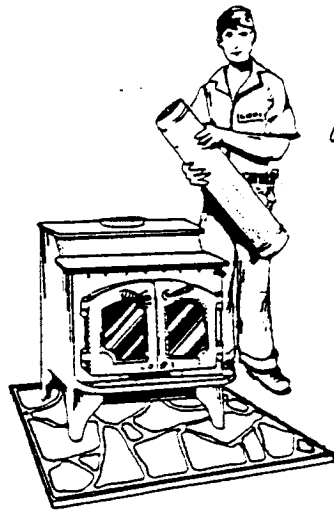
Welcome to Lopi

We wish to welcome you as a new owner of a Lopi woodburning appliance. In purchasing a Lopi product, you have joined the growing ranks of concerned individuals whose energy systems selection reflects both a concern for efficiency and aesthetics.

We extend our continual support and guidance to help you achieve the maximum benefit and enjoyment from your new stove.

You are encouraged to familiarize yourself with the owner's manual before installing the stove. This manual covers in detail the necessary steps required in setting up, operating, and maintaining your woodburning stove. Also included are helpful hints, which will help make the installation and operation of your new woodburning stove both an enjoyable and beneficial experience.

We at Lopi wish you many years of warmth and satisfaction.



Kurt Rumens



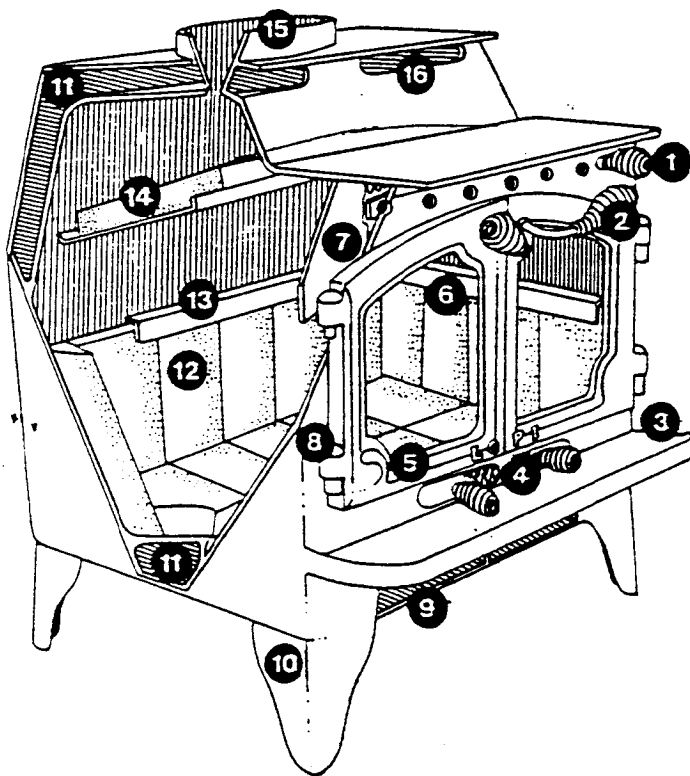
President
Lopi International

Installation

Assembly

This freestanding stove requires some pre-installation assembly to make the installation an easier task. This will include the removal of the doors and the installation of the glass.

Below we have provided a general cut-away illustration of our stove for you to acquaint yourself with the parts and operations that will be mentioned within the text of this manual.



- (1) Secondary Draft Controls
- (2) Spring Handles
- (3) Ash Fender
- (4) Primary Draft Controls
- (5) Cast Doors
- (6) High Temp. Glass
- (7) Air Wash
- (8) $\frac{3}{8}$ " Hinge Pin
- (9) Convection Chamber *
(Cool Air Intake)
- (10) Sculptured Legs
- (11) Air Flow Chamber*
- (12) Firebrick
- (13) Firebrick Retainer
- (14) Masonry Baffle
- (15) Flue Collar
- (16) Convection Chamber*
(Warm Air Exit)

*Not Found on M-380

Your Lopi Freestanding stove will come delivered in two cartons. These will consist of:

1. The Stove—(Includes hardware, Baffle, Firebrick, Handles)
2. The Glass—(Includes 2 Glass Panes, Retaining Clips, Screws)

Before beginning work on the installation of this insert it is advisable to lighten it as much as possible to provide greater ease in moving. To remove loading doors, simply open doors and lift straight up. Once the doors are removed the installation of the high temperature glass into the door can be carried out.

Installation

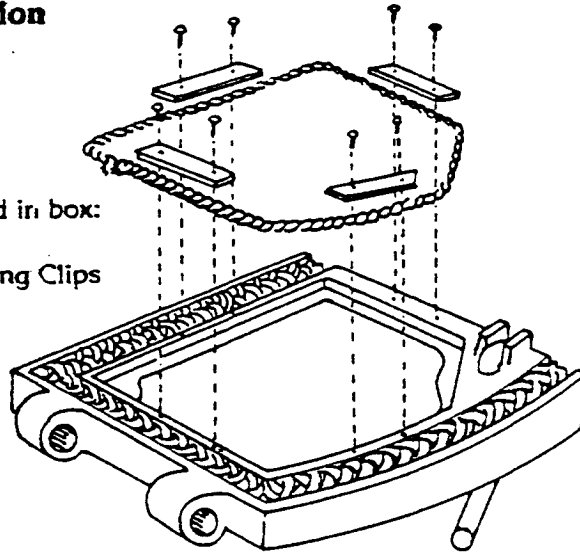
Operation

Maintenance

Glass Installation

List of parts found in box:

1. 2 Glass Panes
2. 8 Metal Retaining Clips
3. 16 Screws

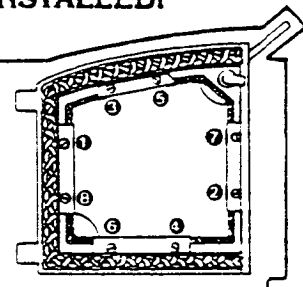


Instructions:

1. After the doors have been removed from the stove, take them to a table and place them face down with handle positioned to hang over the edge of the table. (To protect both doors and table, place a folded up towel between the door and the table.)
2. Place glass with gasketing attached into the doors. Make sure glass is evenly centered into the door frame. If etched glass, place etched surface (rough side) down so it will face to the outside of the door. If gasketing is not on glass you will have to apply it. Find the gasketing in glass boxes and adhere around glass. Make sure gasketing meets where it will be covered by the casting of the door. See drawing.
3. Place the metal retaining clips around the door frame and glass. (Small clip with angled edges goes to top.) Tighten each screw firmly, not overtight. Caution must be taken in tightening screws; too loose or too tight can result in glass breakage!
4. **DO NOT REAPPLY DOORS UNTIL STOVE HAS BEEN COMPLETELY INSTALLED!**

NOTE:

- (A) Turn screws in order shown until heads meet metal retaining clips.
- (B) Now tighten each screw again to firmly secure glass into door. Follow the numbered layout provided for the tightening sequence.



Installation Of Stove

Installing your stove requires some preparation and homework. Learn your local building codes; you may be required to get a building permit before installing your stove. Your local Building Inspection Dept. will be happy to give you information regarding installation requirements in your area.

Also notify your home insurance company that you plan to install a woodburning stove in your home.

Before ever using your stove, have it inspected and approved in writing by your local building inspector.

WARNING: CARELESS INSTALLATION IS THE MAJOR CAUSE OF SAFETY HAZARDS. CHECK ALL LOCAL BUILDING AND SAFETY CODES BEFORE INSTALLATION!

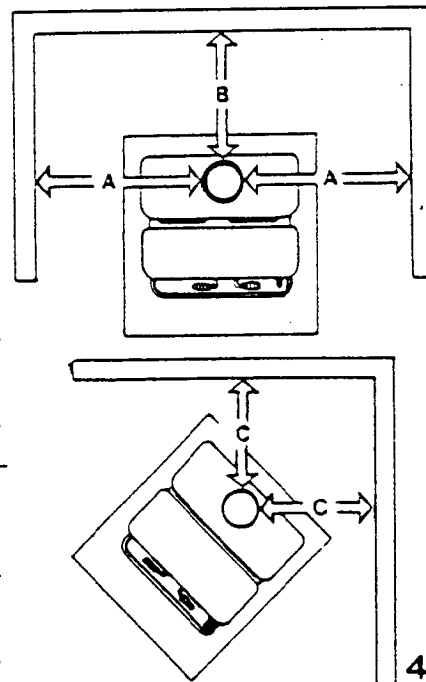
Floor Protection

It is required that all Hearth Pads must extend at least 18" beyond the front of the stove loading doors, and must extend at least 8" beyond both side and back of stove, and be at a minimum, 3/8" non-combustible construction, such as 3/8" thick asbestos millboard.

Clearance to Combustibles

Placement of your stove must meet on of these requirements.

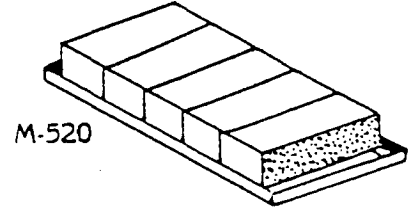
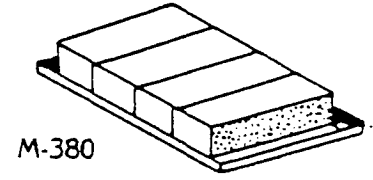
	A From chimney pipe to side wall	B From chimney pipe to back wall	C If set at 45° angle
M520			
Clearance with single wall pipe. (minimum 26 gauge pipe)	43"	31"	43"
Clearance with DVL Pipe	43"	15"	33"
M380			
Clearance with Single wall pipe (minimum 26 gauge pipe)	33"	23"	33"
Clearance with DVL Pipe	33"	15"	23"



Baffle Assembly

Units come with either steel or masonry baffles. The steel baffle will be preinstalled and requires no installation. The masonry baffle on the other hand requires installation.

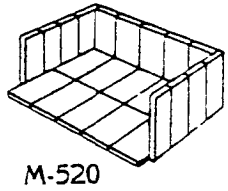
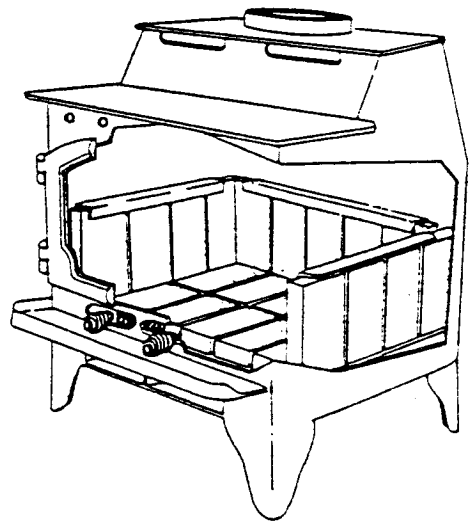
- (1) make sure steel frame support is in place at top of firebox.
- (2) Position bricks along frame through flue opening, center (see illustration for proper number and position of brick).



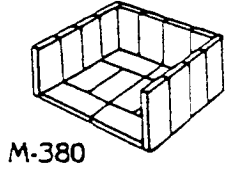
Firebrick Assembly

Firebrick is provided to protect and extend the life of the steel and help radiate heat evenly throughout the stove.

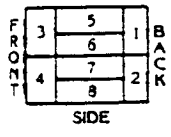
Below are the installation instructions for each model —



- (1) Place four firebricks on each side.
- (2) Place five firebricks along the back.
- (3) Place fifteen firebricks along the floor of the stove (see diagram provided).



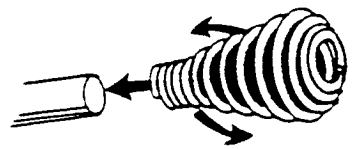
- (1) Place four firebricks on each side.
- (2) Place four firebricks along the back.
- (3) Place eight firebricks along the floor of the stove. (See diagram and order of positioning.)



Finish installation by installing doors and applying spring handles to doors and draft controls.

NOTE:

To install the spring handles simply push spring handle down over the metal post while at the same time turning counterclockwise. This will allow the spring handle to open enough to allow for easy placement over the metal post.



Operation

WARNING: TO BUILD A FIRE IN IGNORANCE OR DISREGARD THE INFORMATION PROVIDED IN THIS SECTION CAN CAUSE SERIOUS PERMANENT DAMAGE TO THE UNIT AND VOID YOUR WARRANTY!

First Fire

When your installation has been completed and inspected you are ready to build your first fire.

1. Fully set open the primary draft controls, located below loading doors.
2. Open loading doors and build a small fire in the stove using paper and dry kindling. Secure doors on the firebox and wait a few minutes for a good updraft to establish the fire.
3. Now place two or three **THOROUGHLY DRIED** logs on the burning kindling and reseal doors. Open secondary draft controls above loading doors gradually as the fire builds. The secondary draft is a new feature found in all Lopi stoves that helps provide a more efficient burn by helping to create secondary burning of unburned volatile wood vapors that accumulate around the baffle. It also allows, with the addition of the air wash, a cleaner burning stove (lessens build-up of creosote on glass).
4. After about 30 to 45 minutes of burning, when the wood has begun to burn strongly, close the primary draft controls down to a medium setting to keep the fire burning at a **MODERATE LEVEL**. This allows the heat to be transferred through the stove rather than up the chimney. Be sure to leave secondary draft controls open while stove is in operation.

WARNING: NEVER BUILD A ROARING FIRE IN A COLD STOVE. ALWAYS WARM YOUR STOVE UP SLOWLY AND KEEP IT AT A MODERATE LEVEL!

5. Once a bed of coals has been established you may adjust the primary draft controls to a low setting to operate at the unit's most efficient mode. **NEVER COMPLETELY CLOSE DRAFT CONTROLS DURING OPERATION!** Doing so can lead to a dangerous build-up of gas vapors within the stove.
6. During the first few fires, keep the combustion rate at a **MODERATE LEVEL** as was stated before. Avoid burning fires with draft controls wide open for long periods of time, this will result in an updraft fire with most of the heat escaping up the chimney.
7. For the first few days the stove will give off an odor from the paint. This is to be expected as the high temperature paint becomes seasoned to the metal. Do not burn stove at a very high temperature the first few days to allow the seasoning to take place. High temperatures may damage the paint.
8. Place nothing on stove top during curing process as paint may be severely affected.

Operation

Maintenance

DAILY USE:

Kindle fire in the same fashion as was done for the "FIRST FIRE". When the wood is burning well (30-45 minutes) adjust primary draft controls to lessen the air intake and maintain a slow, efficient burn. It is always best to burn your stove with bright but not roaring fire. If less heating is required, it is better to use a smaller amount of wood with a flame, than to use a large amount of wood burned in a smoldering fashion.

Each time the stove is refueled, allow the fire to burn hot for about 15 minutes with the primary draft controls wide open. This allows the excess wood moisture to evaporate and get wood burning efficiently. Once wood is burning adjust draft controls to your desired setting.

For an overnight burn, load wood onto existing hot coals, open primary draft controls and let wood burn hot for about 15 minutes. Now close the primary draft controls completely and leave the secondary draft controls wide open. This will allow the stove to create an airwash over the glass, thus minimizing any creosote build-up to occur on the glass and allowing for a slow all-night burn.

Safety Precautions In Operation

1. Use only dry seasoned wood (dried at least one year).
2. Never use gasoline, or gasoline-type lantern fuel, kerosene, charcoal lighter or similar liquids to start or "Freshen Up" a fire. Keep all such liquids well away from the stove while in use.
Do not load fuel in unit when fire is burning strongly.
4. Do not allow stove to get into an "Overfire Condition," that is, to build a fire larger and hotter than necessary.
5. Do not burn large quantities of paper or combustible materials that could create an extremely hot quick fire.
6. Keep all household combustibles at least 3 feet from wall.
7. Though an elevated fire presents no safety hazard, we recommend that you **DO NOT** use grates or andirons or other methods of supporting fuel in your unit. Build fires directly upon the brick hearth.
8. Educate children as to safety around the unit.
9. Keep the doors closed unless the optional firescreens are installed. (Note: Burning stove with doors open will minimize efficiency.)
10. Check that the stove is not starved for combustion air due to your house being air tight.

Maintenance

It is very important to carefully maintain your fireplace stove, including burning seasoned wood and maintaining a clean stove and chimney system. Have the chimney cleaned before the burning season and as necessary during the burning season, as creosote deposits may build up rapidly.

Creosote

When wood is burned slowly, it produces tar and other organic vapors, when combined with moisture, form creosote. The creosote vapors condense in the relatively cool chimney flue of a slow-burning fire. As a result, creosote residue accumulates on the flue lining. When ignited this creosote makes an extremely hot fire.

WARNING: Things to remember in case of a chimney fire:
1. **CLOSE ALL DRAFT AND DAMPER CONTROLS.**
2. **CALL THE FIRE DEPARTMENT.**

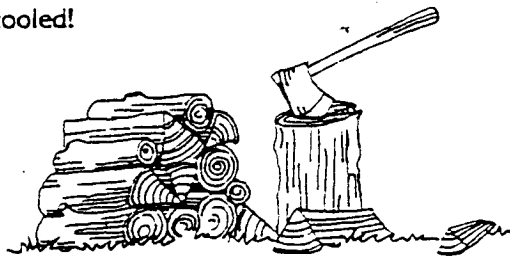
Ways To Prevent And Keep Unit Free Of Creosote

1. Burn stove with draft and damper controls wide open for about 45 minutes every morning during the burning season. This will burn out creosote deposits within the heating system.
2. Burn stove with draft and damper controls wide open for about 10-15 minutes every time you apply fresh wood. This allows wood to achieve the charcoal stage faster and burns up any wood vapors which might otherwise be deposited within the system.
3. **ONLY BURN SEASONED WOOD!** Avoid burning wet or green wood. Seasoned wood has been dried at least one year. (See next page.)
4. A small fire is preferable to a large smoldering one that can deposit creosote within the system.
5. Never completely close draft controls while unit is in operation. Closing draft while burning will allow unburned gas vapors to escape and be deposited within the chimney.
6. Check the chimney at least twice a month for creosote buildup during the burning season.
7. Have chimney system and unit cleaned by competent chimney sweeps twice a year during the first year of use and at least once a year thereafter or when needed.

ASH DISPOSAL

Lopi stoves feature a convenient ash lip for easy removal of ash. During constant use, ashes should be removed every few days or when they have built up to the lower draft controls. Only remove ash when fire has died down, as in the morning. Even then, expect to find a few hot embers.

Ashes should be placed in a metal container with a tight fitting lid. The closed container of ashes should be placed on a noncombustible floor or on the ground, well away from all combustible materials, pending final disposal. If ashes are disposed of by burial in soil or otherwise locally dispersed, they should be retained in the closed container until all cinders have thoroughly cooled!



WOOD

Be sure to use only dry seasoned wood. Green wood, besides burning at only 60% of the fuel value of dry wood, deposits creosote on the inside of your stove and along the chimney. This can cause an extreme danger of chimney fire if not properly taken care of. To be called "Seasoned Wood" it must have been dried for a year.

Regardless if the wood is green or seasoned, store your wood in a well sheltered, ventilated area that will allow proper drying and storage for the year to come.

BRASS

If unit is purchased with brass doors, be sure to use only brass cleaner recommended by Lopi, purchased at your fireplace dealer. **Do not under any condition clean brass with an abrasive!**

The Brass Cleaner provided is non-abrasive and formulated to be used on all Lopi products. Apply **ONLY WHEN STOVE IS NOT IN OPERATION**, to use while stove is hot will discolor and damage brass plating. Be sure to clean and wipe off any excess brass cleaner after use, not doing so can lead to brass discoloring.

GLASS

Should soot or creosote occur on glass during operation, clean, when stove is cold, with oven cleaner (such as Mr. Muscle) or approved creosote glass cleaner.

Creosote deposits on glass is a sign that the wood being used is not completely seasoned (dried). Remember to open secondary draft controls once fire has become established and leave open during operation. This will help minimize this problem.

Warranty

LIMITED WARRANTY

LOPI INTERNATIONAL, LTD. (the Company) warrants this LOPI woodburning unit against defects in metal components and workmanship as follows:

During the first three (3) years from date of purchase, the Company will replace defective parts at no charge to the original purchaser, and will pay reasonable repair charges associated with replacement of said defective parts; provided, however, the purchaser must obtain prior agreement from the Company as to the extent said repair charges are reasonable.

During the fourth (4) and fifth (5) years following the date of original purchase, the Company will replace defective parts to the purchaser at the current factory costs regularly charged to dealers and will not assume responsibility for labor costs.

EXCLUSIONS: This limited warranty shall not include or extend to: paint, gasketing, firebrick, glass, nickel or brass trim, or to fans. Further, no warranty is extended to damage caused by or resulting from accident, improper handling or operation, abuse or misuse, improper installation (including failure to comply with local building codes), any modifications or repairs made or attempted, or any incidental or consequential damages arising from the use or misuse of the product.

THIS LIMITED WARRANTY IS THE ONLY WARRANTY SUPPLIED BY THE COMPANY. ALL OTHER WARRANTIES, WHETHER EXPRESS OR IMPLIED, ARE HEREBY EXPRESSLY DISCLAIMED, AND PURCHASER'S RECOURSE IS EXPRESSLY LIMITED TO THE WARRANTIES SET FORTH HEREIN. SOME STATES DO NOT ALLOW THE EXCLUSION OF LIMITATION OF INCIDENTAL OR CONSEQUENTIAL DAMAGES. SO THE ABOVE LIMITATIONS OR EXCLUSIONS MAY NOT APPLY TO YOU.

This limited warranty gives you specific legal rights and you may also have other rights which vary from state to state.

To make claim under this warranty, contact the dealer from whom you purchased this unit. If your dealer cannot be reached or is unable to provide service, contact the Company. In the event the unit must be returned to the factory for inspection or repair, purchaser must ship the same shipping prepaid to Lopi International, LTD. 10850-117th Pl. N.E., Kirkland, WA 98033.

DATE PURCHASED _____ MODEL _____ SERIAL # _____

All units tested by



STOVE TESTING LAB

A division of Vulcan Quality Assurance Corp

2721 No. Hayden Island Drive

Portland, Oregon 97217