

- Direct Vent Fireplace Insert
- Masonry or Factory Built (Metal) Fireplace
- Residential or Mobile Home



**WARNING:** Improper installation, adjustment, alteration, service or maintenance can cause injury or property damage. Refer to this manual. For assistance or additional information consult a qualified installer, service agency, or the gas supplier.

- Do not store or use gasoline or other flammable vapors and liquids in the vicinity of this or any other appliance.
- Installation must be performed by a qualified installer, service agency or the gas supplier

#### **IF YOU SMELL GAS**

- Do not try to light any appliance.
- Do not touch any electrical switch; do not use any phone in your building.
- Immediately call gas supplier from a neighbor's phone. Follow the gas supplier's instructions.
- If you cannot reach your gas supplier, call the fire department.

## DVL Insert Owner's Manual

**Installer:** After installation give this manual to the homeowner and explain operation of this fireplace.

\$10.00    © Copyright 2001, T.I.    Part # 93508104  
4011025



## ***Introduction***

---

We welcome you as a new owner of a Travis DVL Insert. In purchasing a Travis DVL Insert you have joined the growing ranks of concerned individuals whose selection of an energy system reflects both a concern for the environment and aesthetics. The Travis DVL Insert is one of the finest home heaters the world over. This manual will explain the installation, operation, and maintenance of this heater. Please familiarize yourself with the Owner's Manual before operating your heater and save the manual for future reference. Included are helpful hints and suggestions that will make the operation and maintenance of your new heater an easier and more enjoyable experience. We offer our continual support and guidance to help you achieve the maximum benefit and enjoyment from your heater.

## ***Important Information***

---

No other Travis DVL Insert has the same serial number as yours. The serial number is below and to the left of the gas control valve.

This serial number will be needed in case you require service of any type.

Model: Travis DVL Insert

Serial Number: \_\_\_\_\_

Purchase Date: \_\_\_\_\_

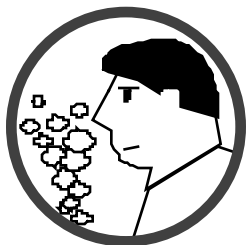
Purchased From: \_\_\_\_\_

\_\_\_\_\_  
\_\_\_\_\_

### **Mail your Warranty Card Today, and Save Your Bill of Sale.**

To receive full warranty coverage, you will need to show evidence of the date you purchased your heater. Do not mail your Bill of Sale to us.

We suggest that you attach your Bill of Sale to this page so that you will have all the information you need in one place should the need for service or information occur.

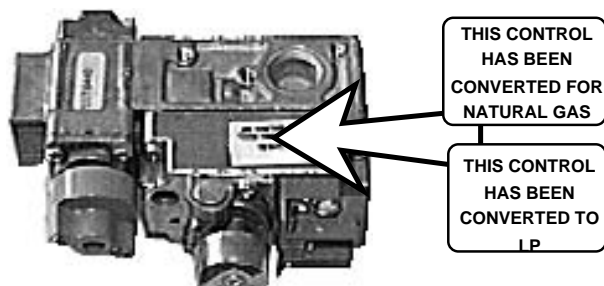


## • IF YOU SMELL GAS:

- \* Do not light any appliance
- \* Extinguish any open flame
- \* Do not touch any electrical switch or plug or unplug anything
- \* Open windows and vacate building
- \* Call gas supplier from neighbor's house, if not reached, call fire department



- This unit must be installed by a qualified installer to prevent the possibility of an explosion. Your dealer will know the requirements in your area and can inform you of those people considered qualified. The room heater should be inspected before use and at least annually by a qualified service person. More frequent cleaning may be required due to excessive lint from carpeting, bedding material, etc.
- The instructions in this manual must be strictly adhered to. Do not use makeshift methods or compromise in the installation. Improper installation will void the warranty and safety listing.



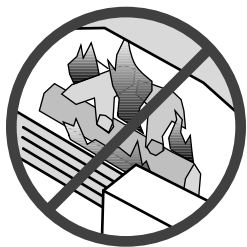
- This heater is either approved for natural gas (NG) or for propane (LP). Burning the incorrect fuel will void the warranty and safety listing and may cause an extreme safety hazard. Direct questions about the type of fuel used to your dealer. Check the label and flame adjust knob on the gas control valve.



- Contact your local building officials to obtain a permit and information on any installation restrictions or inspection requirements in your area. Notify your insurance company of this heater as well.



- If the flame becomes sooty, dark orange in color, or extremely tall, do not operate the heater. Call your dealer and arrange for proper servicing.



- It is imperative that control compartments, screens, or circulating air passageways of the heater be kept clean and free of obstructions. These areas provide the air necessary for safe operation.



- Do not operate the heater if it is not operating properly in any fashion or if you are uncertain. Call your dealer for a full explanation of your heater and what to expect.



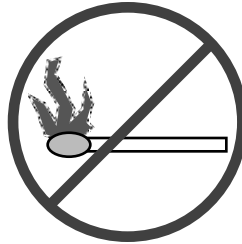
- Do not store or use gasoline or other flammable liquids in the vicinity of this heater.



- Do not operate if any portion of the heater was submerged in water or if any corrosion occurs.



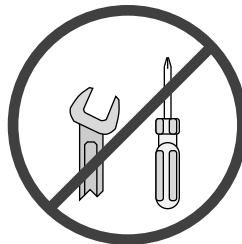
- Do not place clothing or other flammable items on or near the heater. Because this heater can be controlled by a thermostat there is a possibility of the heater turning on and igniting any items placed on or near it.



- Light the heater using the built-in piezo igniter. Do not use matches or any other external device to light your heater.



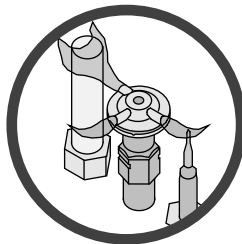
- The viewing glass should be opened only for lighting the pilot or conducting service.
- Any safety screen or guard removed for servicing must be replaced prior to operating the heater.



- Never remove, replace, modify or substitute any part of the heater unless instructions are given in this manual. All other work must be done by a trained technician. Don't modify or replace orifices.
- Allow the heater to cool before carrying out any maintenance or cleaning.



- Operate the heater according to the instructions included in this manual.
- If the main burners do not start correctly turn the gas off at the gas control valve and call your dealer for service.



- The pilot flame must contact the thermopile and thermocouple (see the illustration to the left). If it does not, turn the gas control valve to "OFF" and call your dealer.



- This unit is not for use with solid fuel
- Do not place anything inside the firebox (except the included fiber logs).
- If the fiber logs become damaged, replace with Travis Industries log set.



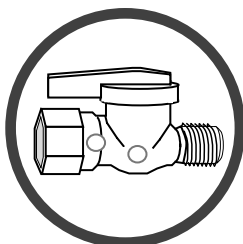
- Do not throw this manual away. This manual has important operating and maintenance instructions that you will need at a later time. Always follow the instructions in this manual.



- Do not touch the hot surfaces of the heater. Educate all children of the danger of a high-temperature heater. Young children should be supervised when they are in the same room as the heater.



- Keep all furniture or other combustible items at least 36" away from the front of the heater (this includes drapes or doors that may swing within 36" of the front of the heater).



- Instruct everyone in the house how to shut gas off to the appliance and at the gas main shutoff valve. The gas main shutoff valve is usually next to the gas meter or propane tank and requires a wrench to shut off.



- Travis Industries, Inc. grants no warranty, implied or stated, for the installation or maintenance of your heater, and assumes no responsibility of any consequential damage(s).**

## **Introduction & Important Info.**

Introduction & Important Information.....1

## **Safety Precautions**

Safety Precautions .....2

## **Features & Specifications**

Installation Options.....5

Heating Specifications.....5

Dimensions.....5

Fuel.....5

Compliance.....5

## **Insert Installation**

Installation Warning.....6

Items Required for Installation.....6

Packing List.....6

Items Packed with Face .....6

Order of Installation.....6

Insert Placement .....7

Zero Clearance (Metal) Fireplace Requirements.....7

Insert Clearances .....8

Mantel Requirements.....8

Hearth Requirements.....8

Gas Line Installation.....9

Vent Requirements.....10

Altitude Considerations.....10

Vent Installation .....10

Vent Location.....11

Vent Configurations.....11

Installation Without Surround Panels .....12

Surround Panel Installation.....12

Manifold Removal and Installation .....14

## **Finalizing the Installation**

Glass Removal.....16

Log, Twig, and Ember Installation.....17

Purge and Leak Test the Gas Line.....18

Pilot Flame Inspection.....18

Air Shutter Adjustment.....19

Flame Inspection .....19

Explain Heater Operation to Owner.....19

## **Operating Your Heater**

Before You Begin.....20

Location of Controls .....20

Starting The Pilot Flame.....21

Starting the Heater for the First Time.....22

Turning the Heater On and Off .....22

Adjusting the Flame Height.....22

Adjusting the Blower Speed.....23

Normal Operating Sounds.....23

## **Maintaining Your Heater**

Maintaining Your Heater's Appearance.....24

Cleaning Your Heater.....24

Yearly Service Procedure.....24

Troubleshooting Table.....25

How this Stove Works.....26

Wiring Diagram .....27

Replacement Parts List.....27

## **Listing Information**

Safety Label .....28

## **Warranty**

Warranty.....29

## **Optional Equipment**

LP Conversion Instructions.....30

Thermostat.....34

Remote Control Thermostat.....35

Decorative Fireback .....35

## **Index**

Index.....36

### Features:

- Works During Power Outages (millivolt system)
- High Efficiency
- Optional Thermostat or Remote Control
- Realistic "Wood Fire" Look
- Quiet Blower for Effective Heat Distribution
- Convenient Operating Controls
- Variable-Rate Heat Output
- Low Maintenance

### Installation Options:

- Residential or Mobile Home
- Fireplace Insert
- Masonry or Zero Clearance (Metal) Fireplace

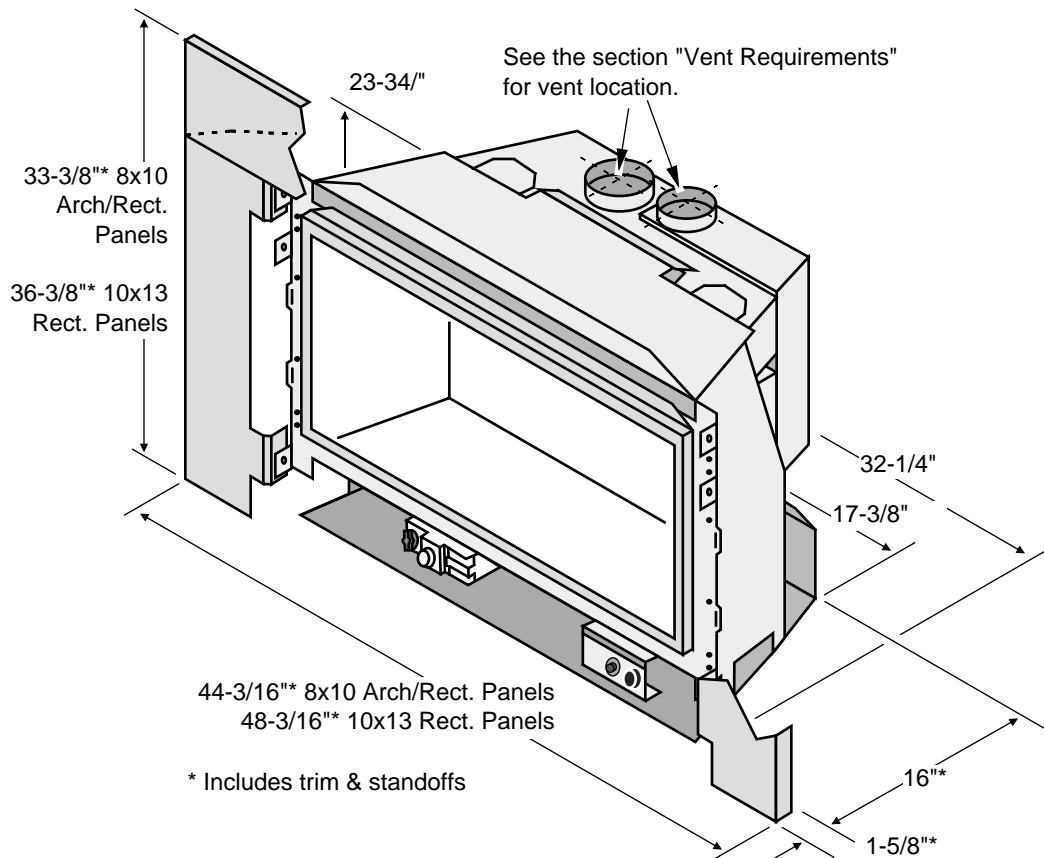
### Heating Specifications:

Approximate Heating Capacity (in square feet)\*  
 BTU Input Per Hour (from high to low)  
 BTU Output on High (with blowers on)  
 Efficiency\*\* (with blowers on)  
 AFUE (Annual Fuel Utilization Efficiency)

Natural Gas	Propane
600 to 2,000	600 to 2,000
21,700 to 40,000	23,200 to 40,000
31,560	32,400
78.9 %	81.0 %
71.0 %	73.7 %

\* Heating capacity will vary with floor plan, insulation, use of power heat vent, and outside temperature.

\*\* Efficiency rating is a product thermal efficiency rating determined under continuous operation independent of installed system.



### Fuel:

This heater is designed either for natural gas or for propane. Check the sticker on top of the gas control valve or check with the installer to verify gas use.

### Compliance:

This unit has passed the ANSI Z21.88 – 1998, CSA 2.33 M98 Vented Gas Fireplace Heater Standard as tested by OMNI-Test Laboratories, Inc. Beaverton, Oregon.

***Installation Warnings:***

---

- ! Failure to follow all of the requirements may result in property damage, bodily injury, or even death.
- ! This heater must be installed by a qualified installer who has gone through a training program for the installation of direct vent gas appliances.
- ! This appliance must be installed in accordance with all local codes, if any; if not, follow ANSI Z223.1 and NFPA 54(88) in the USA and B-149 in Canada.
- ! In Manufactured or Mobile Homes must confirm with: In USA, Manufactured Home Construction and Safety Standard, Title 24 CFR, Part 3280; In Canada, CSA Z240.4 and Gas-Equipped Recreational Vehicles and Mobile Housing. This appliance may be installed in Manufactured Housing only after the home is site located.
- ! The DVL Insert is designed to operate on natural gas (NG) or propane (LP).
- ! All exhaust gases must be vented outside the structure of the living-area. Combustion air is drawn from outside the living-area structure.
- ! Notify your insurance company before hooking up this heater.
- ! The requirements listed below are divided into sections. All requirements must be met simultaneously. The order of installation is not rigid – the qualified installer should follow the procedure best suited for the installation.

***Additional Items Required for Installation***

---

- 6-5/8" to 3" & 4" Co-Linear Adapter – W/ Flashing (Travis Part # 98900124)
- Face
- Gas Hookup Equipment
- Surround Panels (Optional - see "Installation without Surround Panels")
- 3" and 4" UL 1777 Gas Liner
- Direct Vent Cap (Simpson Duravent Part # 991)

***Packing List***

---

- |  |                             |
|--|-----------------------------|
| • DVL Insert                           | • Two Leveling Bolts        |
| • Log Set (Log Set, Coals, and Embers) | • 8" Pipe Inlet (3/8" dia.) |
| • Owner's Manual                       | • Door Latch Tool           |
| • Propane Conversion Kit               | • Block Off Plate           |

***Items Packed with the Face***

---

- Face (with attachment hardware)
- Face Installation Instructions

***Order of Installation***

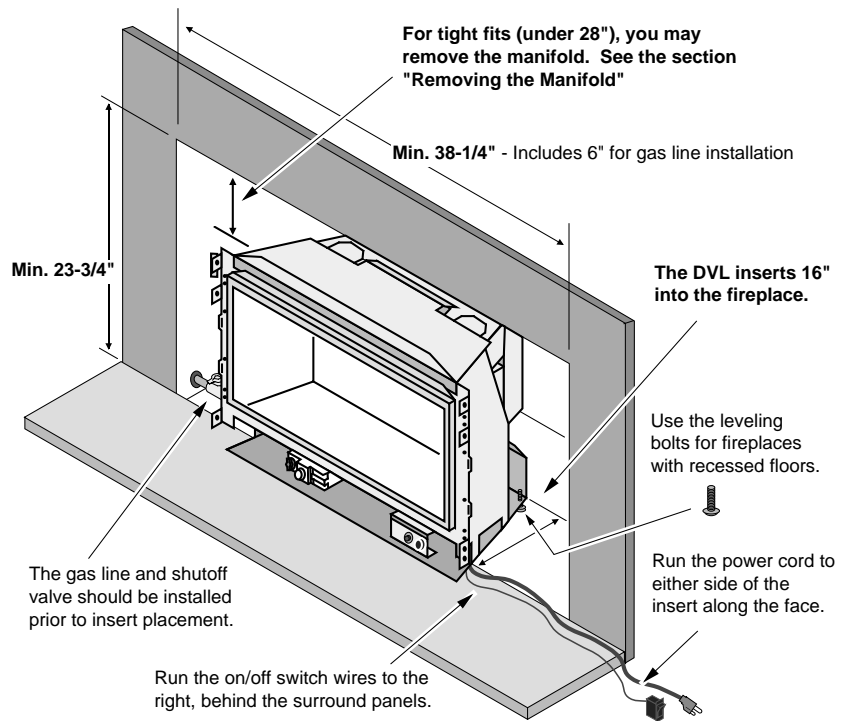
---

- 1 If the heater is to use propane, install the propane conversion kit (see pages 30)
- 2 Install gas line into the fireplace (do not connect to unit)
- 3 Position the heater (see "Insert Placement")
- 4 Connect the gas line and gas vent to the appliance.
- 5 Install the optional surround panels and trim. Attach the on/off switch.
- 6 Follow the instructions under "Finalizing the Installation" on pages 16 through 19.



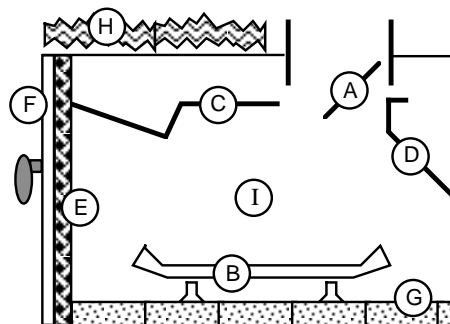
## Insert Placement

- Insert must be placed within a code-conforming masonry fireplace or tested and listed zero-clearance (metal) fireplace. Fix any fireplace damage prior to installation.
- Because the insert uses a circulation blower, clean the fireplace, smoke shelf, and chimney prior to installation. We recommend painting the interior surface of the fireplace with latex paint to further eliminate dust.
- This heater may be placed in a bedroom. Please be aware of the large amount of heat this appliance produces when determining a location.



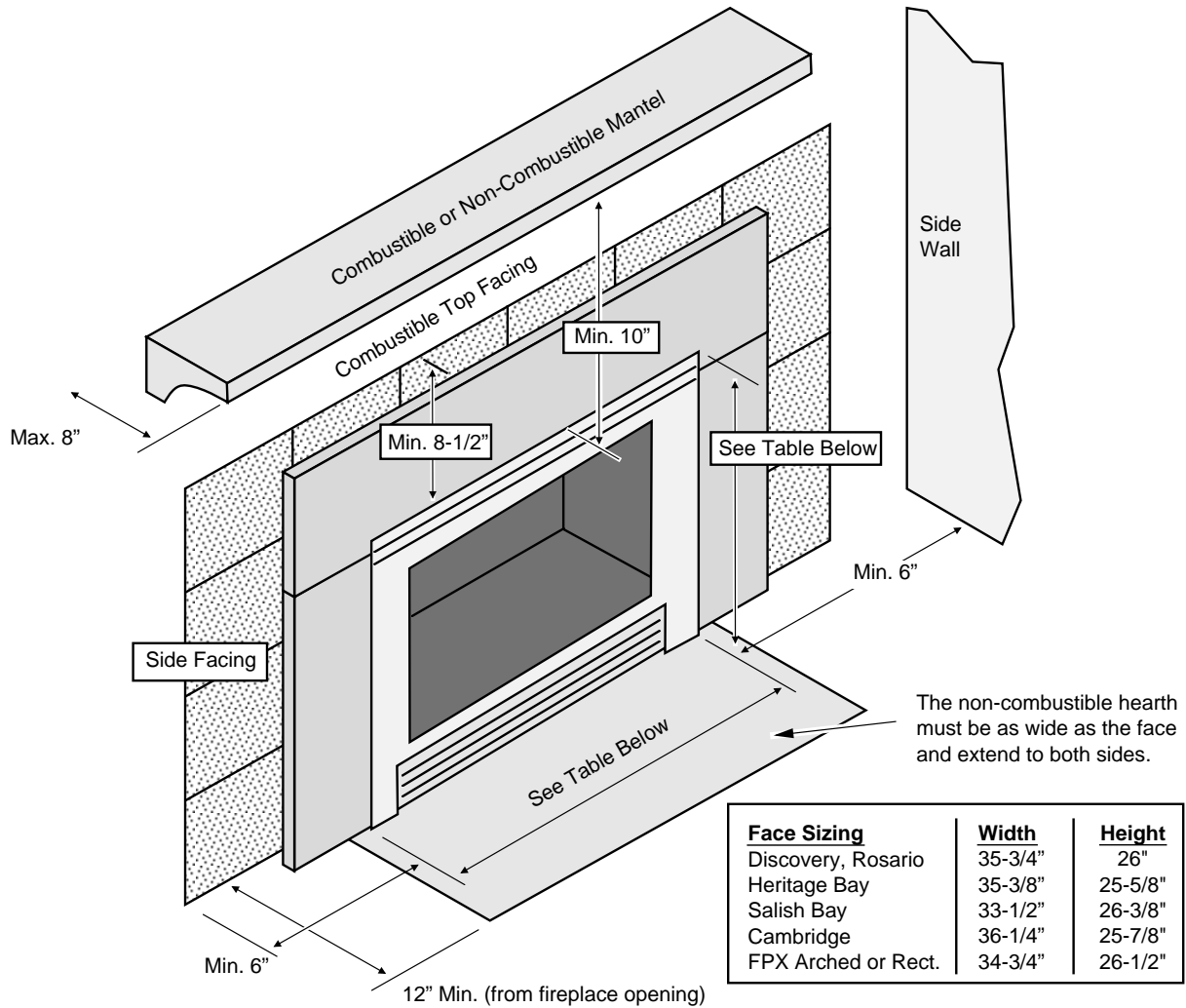
## Zero-Clearance (Metal) Fireplace Requirements:

- The damper ("A") and grate (with log set) ("B") must be removed (see the illustration below)
  - The smoke shelf ("C"), internal baffles ("D"), screen ("E"), masonry lining or refractory ("G" & "I"), and metal or glass doors ("F") may be removed (if applicable)
- NOTE:** If any internal baffle is cut, bent, or removed, the fireplace must be permanently marked to indicate that it has been altered and is no longer suitable for burning solid fuel (wood).
- The insulation ("H"), and any structured rigid frame members (metal sides, floor, door frame, face of the fireplace, etc.) must not be removed or altered.



## Insert Clearances

- No combustibles may be within, or swing within, 36" of the front of the insert (drapes, doors)



## Mantel Clearances

The mantel must be a minimum 10" above the face and a maximum 8" deep.

NOTE: The combustible area above the facing must not protrude more than 3/4" from the facing. If it does, it is considered a mantel and must meet the mantel requirements listed in this manual.

## Hearth Requirements

- The heater must be installed on a non-combustible hearth extending a minimum 12" from the fireplace opening (local codes may require a larger hearth). The hearth must also extend to both sides of the face (see the table above for the exact width of the face).

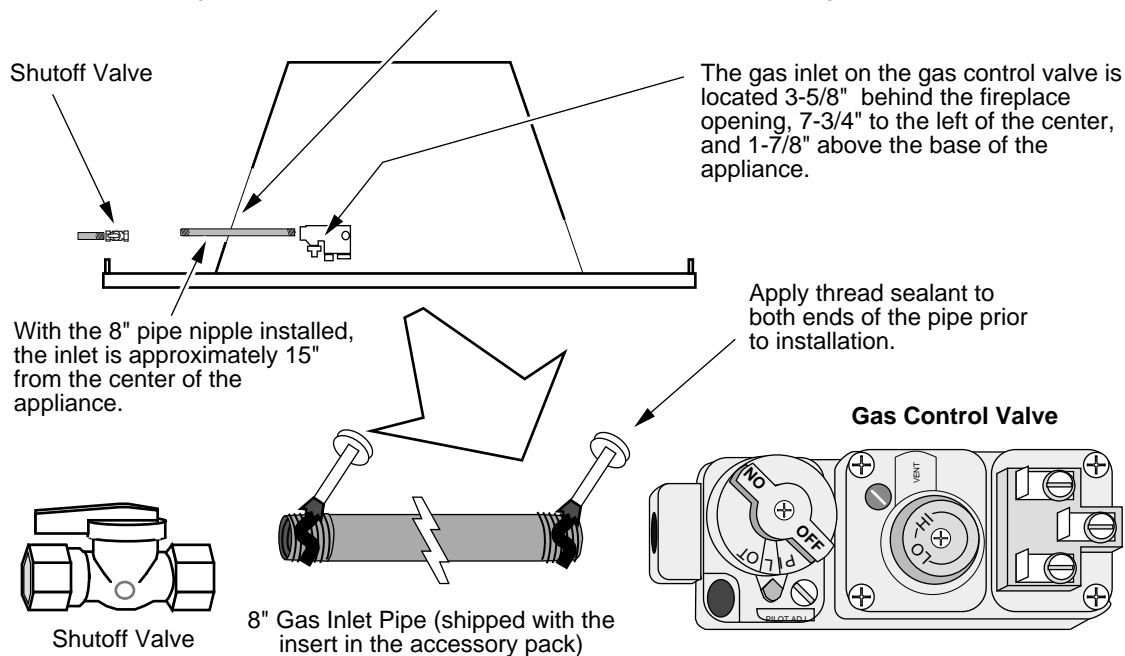
## Gas Line Installation

- ! This appliance must be installed in accordance with all local codes, if any; if not, follow ANSI Z223.1 and NFPA 54(88) in the USA and B-149 in Canada.
- ! The heater and gas control valve must be disconnected from the gas supply piping during any pressure testing of that system at test pressures in excess of 1/2 psig (3.45 kPA). For pressures under 1/2 psig (3.45 kPA), isolate the gas supply piping by closing the manual shutoff valve.
- Leak test all gas line joints and the gas control valve prior to and after starting the heater.

### Gas Line Connection

- The location of the gas inlet is shown below
- A manual shutoff valve is required within 3' of the fireplace. It should be placed upstream of the flex line (if used) and may be installed behind the access door inside the heater.

A 6" wide opening is provided on the left side, 3" behind the fireplace opening. It is 3" tall.



### Fuel

- This heater is designed for natural gas but can be converted to propane. Check the sticker on the top of the gas control valve to make sure the correct fuel is used.

### Gas Inlet Pressure

	Standard Input Pressure
Natural Gas	7" W.C. (1.74 kPA)
Propane	11" W.C. (2.73 kPA)

- ? If the pressure is not sufficient, make sure the piping used is large enough and the total gas load for the residence does not exceed the amount supplied.
- ? The supply regulator (the regulator that attaches directly to the residence inlet or to the propane tank) should supply gas at the suggested input pressure listed above. Contact the local gas supplier if the regulator is at an improper pressure.

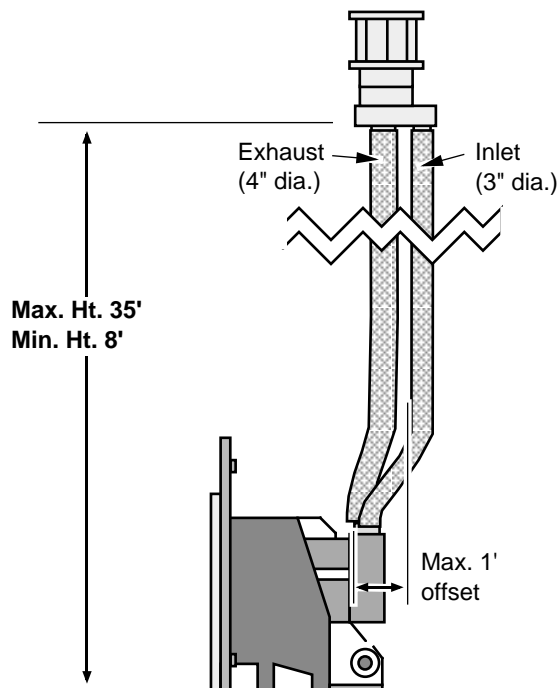
## Vent Requirements

- ! The gas appliance and vent system must be vented directly to the outside of the building, and never be attached to a chimney serving a separate solid fuel or gas-burning appliance. Each direct vent gas appliance must use its own separate vent system.
- ! Make sure the exhaust pipe on the heater connects to the exhaust portion of the cap. The illustrations below show how the flex liners should be attached.
- The exhaust vent must reline the entire length of the chimney and terminate above the chimney top
- ! Be careful not to crimp or rupture the liner when bending it into chimney offsets
- When installed, the vent must meet all of the vent manufacturer's requirements
- Make sure to order the following:
  - 4" UL 1777 Gas Liner for Exhaust, 3" UL 1777 Gas Liner for Air Inlet
  - 6-5/8" to 3" & 4" Co-Linear Adapter & Flashing (Travis Part # 98900124).
  - Vertical Termination Cap (Dura-Vent pt # 991)

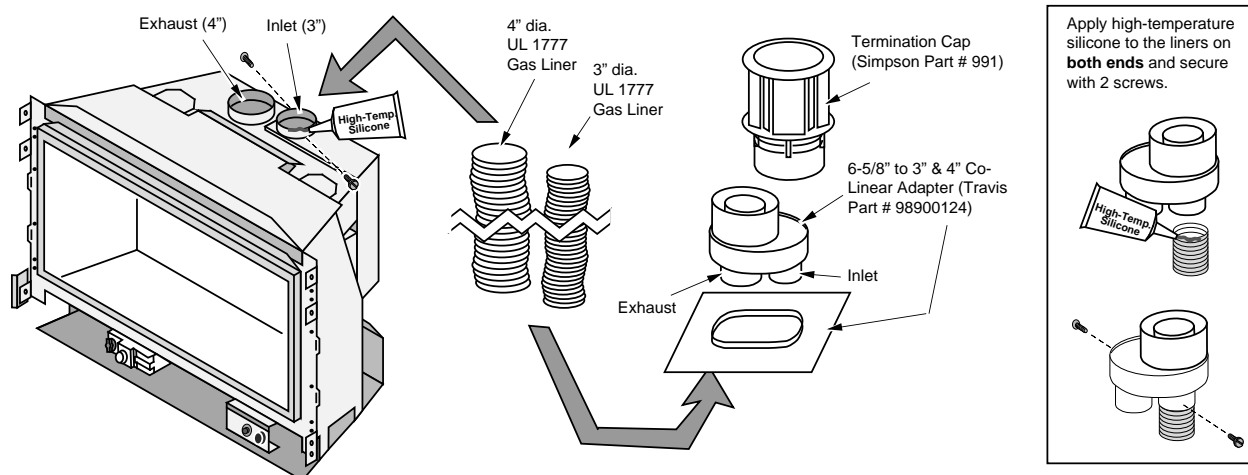
## Altitude Considerations

This heater has been tested at altitudes ranging from sea level to 8,000 feet (2,400 M). In this testing we have found that the heater, with its standard orifice, burns correctly with just an air shutter adjustment. If local codes require resizing the orifice, in the U.S.A. refer to ANSI 223.1, Appendix P, in Canada B-149.1 or B-149.2

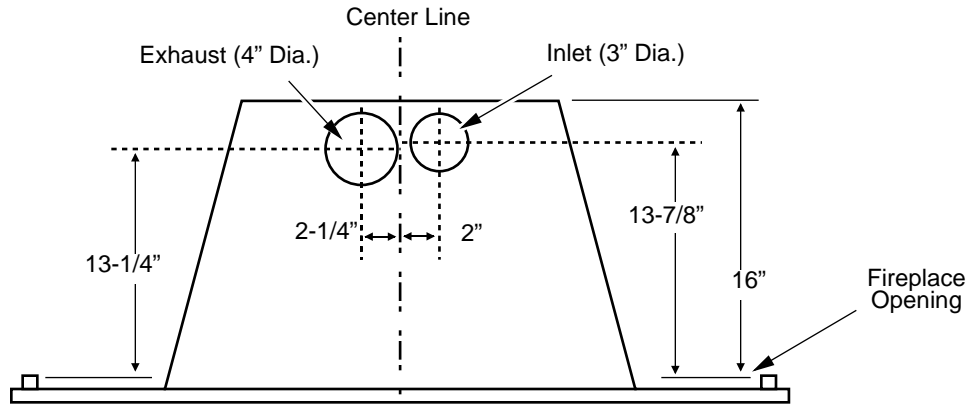
- ! Failure to adjust the air shutter properly may lead to improper combustion which can create a safety hazard. Consult your dealer or installer if you suspect an improperly adjusted air shutter.



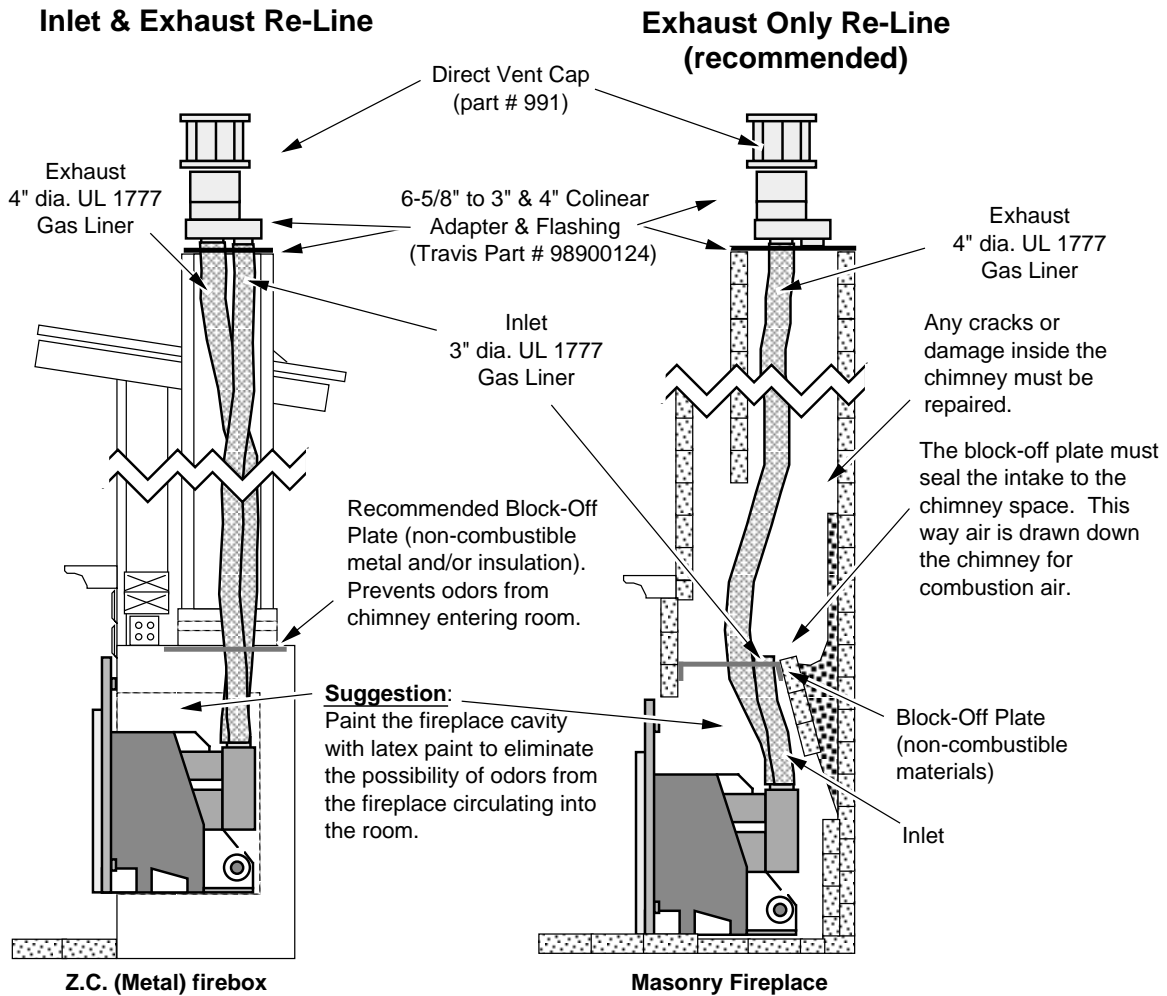
## Vent Installation



## Vent Location



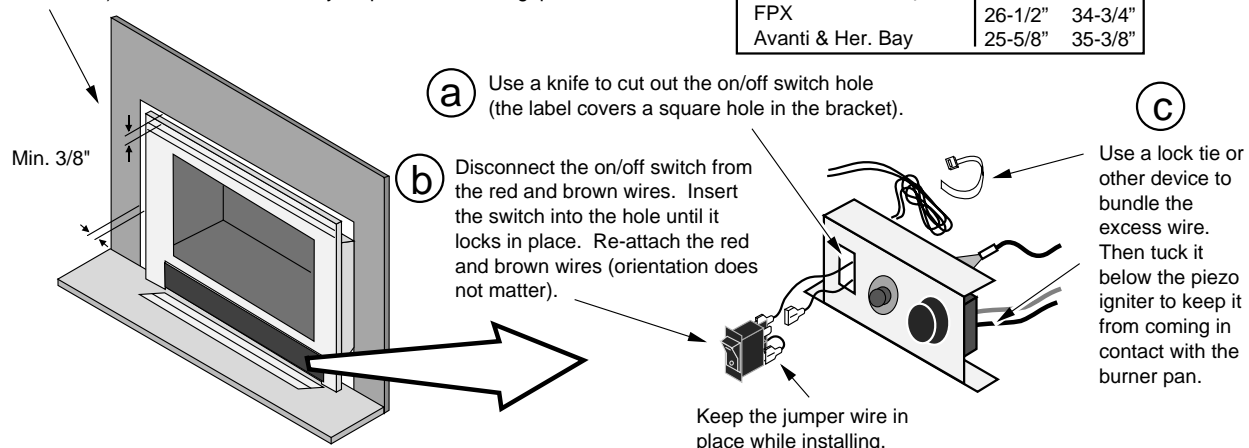
## Vent Configurations



**NOTE:** You may use either re-line configuration with a masonry or zero-clearance fireplace.

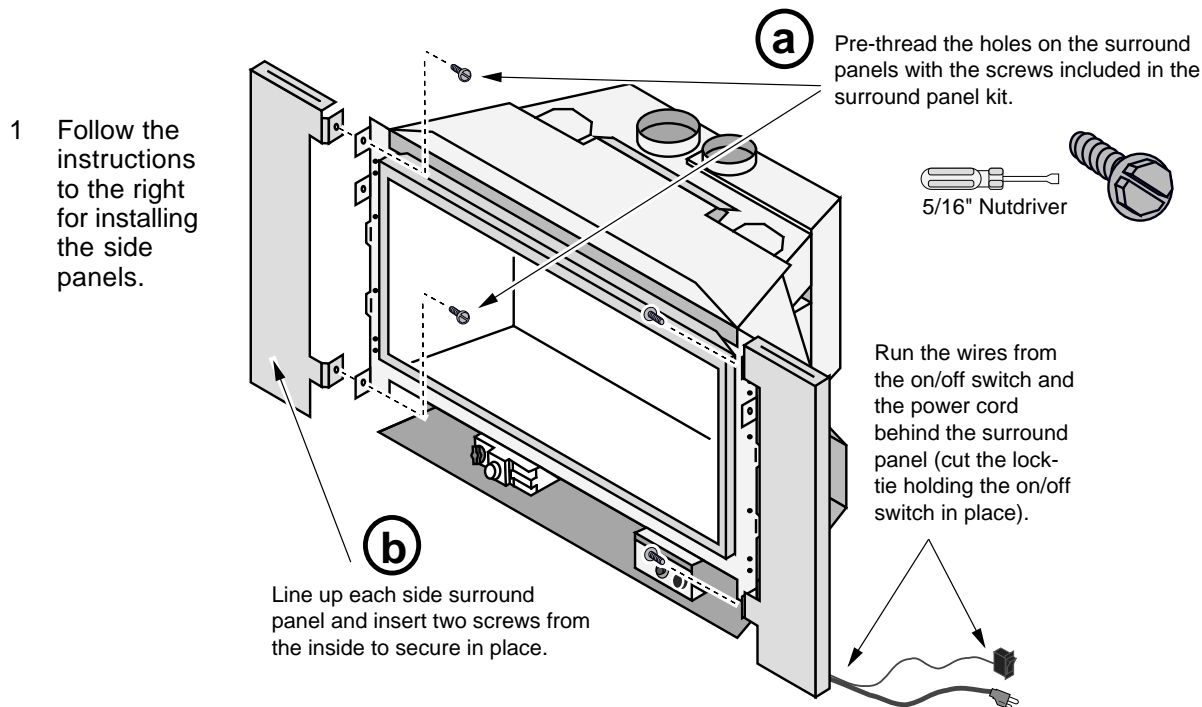
## Installation Without Surround Panels

The insert may be installed without surround panels if a 3/8" gap is allowed between the sides and top of the face and the fireplace (for ventilation). Wire mesh screen may be placed over this gap.



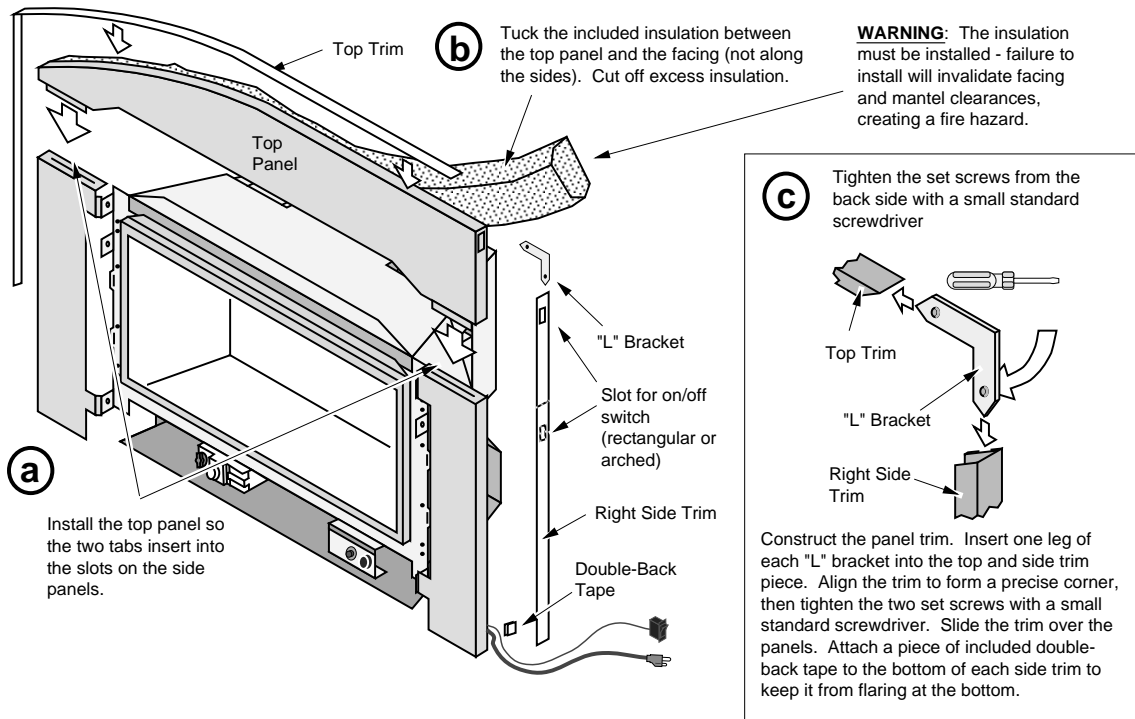
## Surround Panel Installation

PANEL SIZE	WIDTH	HEIGHT	PART #
8" x 10" Rectangular	44-3/16"	33-3/8"	98500614
Arched (8" x 10")	44-3/16"	33-3/8"	98500616
10" x 13" Rectangular	48-3/16"	36-3/8"	98500615

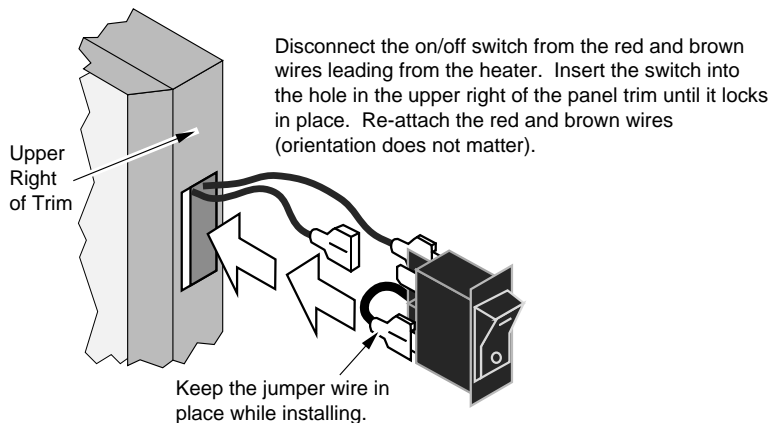


## Surround Panel Installation (continued)

2 Follow the instructions below for installing the top panel, insulation, and trim.

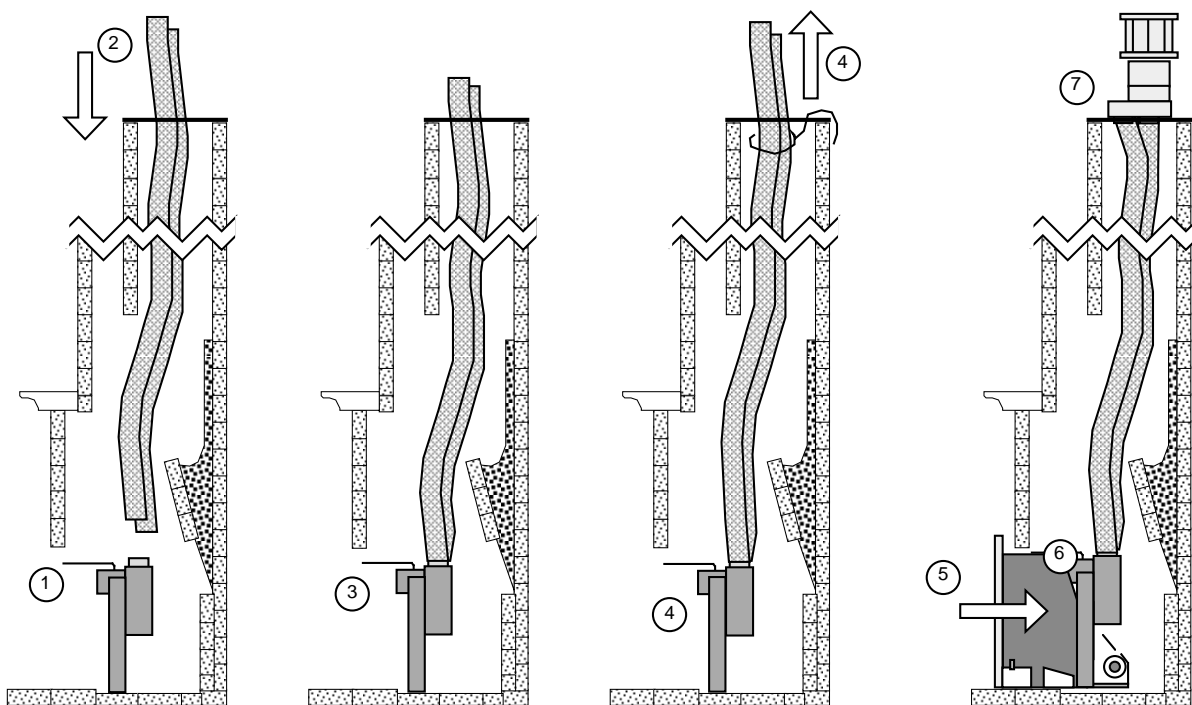


3 Install the on/off switch following the directions below.



## ***Manifold Removal and Installation***

- The manifold is shipped attached to the insert, but may be removed to facilitate especially tight installations. See the directions below for installation.
- 1 Remove the manifold and place it within the fireplace (see the instructions on the following page).
  - 2 Route the flex vent through the chimney from above (leave an extra 3' (914 mm) at the top).
  - 3 Attach the flex vent to the manifold (seal with silicone and attach with screws).
  - 4 Place the manifold in an upright position (so it rests on the manifold legs) and have a partner pull on the excess flex vent. Temporarily attach the flex vent to the top of the chimney (leave extra slack).
  - 5 Slide the insert into place, guiding the convection top over the insert until fully in place.
  - 6 After removing any slack from the flex vent, attach the manifold to the appliance.
  - 7 Remove any excess slack in the flex line then attach the vent termination.

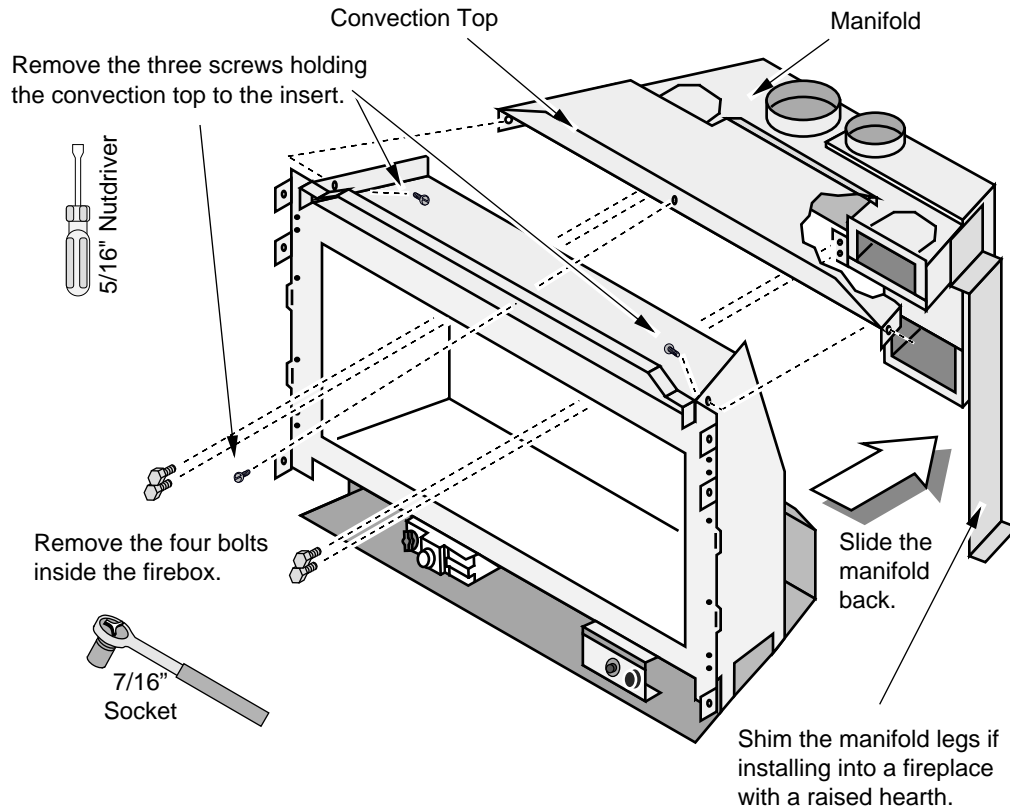




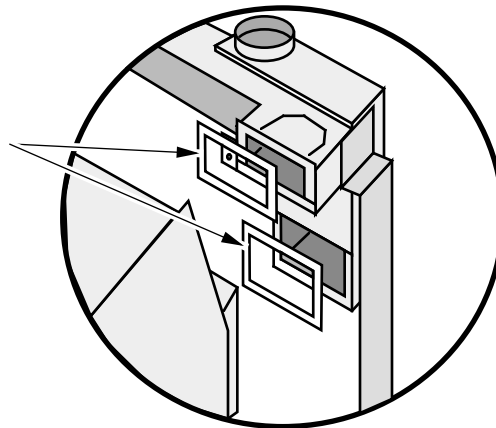
## ***Manifold Removal and Installation (Continued)***

Remove the glass (see the instructions on page 16). Follow the directions below to remove the manifold.

**NOTE:** When replacing the manifold, use the convection top to guide the manifold. You may also reach through the exhaust ducts to guide the manifold forward to the appropriate location.



**NOTE:** when installing the manifold, make sure the gaskets sealing the inlet and exhaust ducts are in place. If a gasket is loose, use high-temperature silicone to secure it to the manifold.



## ***Electrical Connection***

- Plug the power cord into a grounded 120 Volt outlet (do not remove the grounding pin).

# Finalizing the Installation

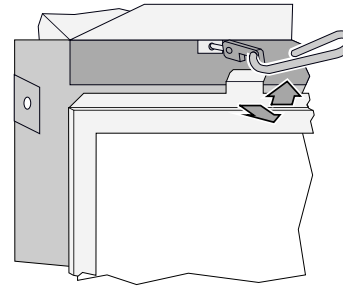
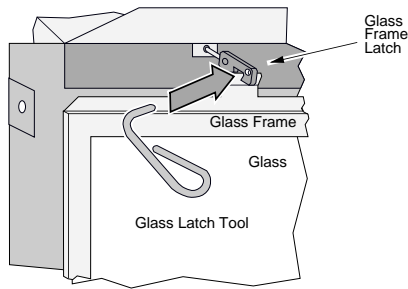
- 1 Remove the glass following the directions below.

**Warning:** The appliance must be completely cool before removing the glass.

**Note:** If using an FPX arched face, attach the arch covers after installing the glass.

- a** Insert the included glass latch tool into the hole on the glass frame latch.

- b** Pull the latch out then up to detach it from the glass frame.

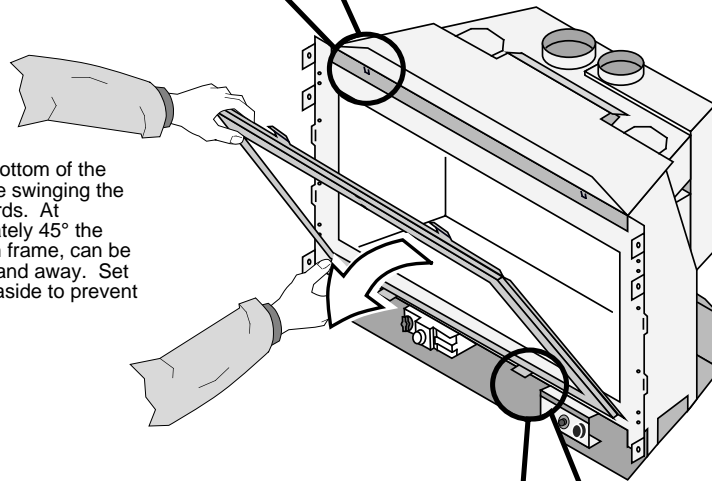


**c**

Hold the glass in place and repeat steps "a" and "b" for the opposite side latch.

**d**

Hold the bottom of the glass while swinging the top outwards. At approximately 45° the glass, with frame, can be pulled up and away. Set the glass aside to prevent damage.



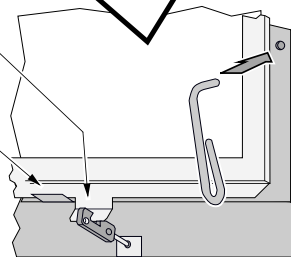
## Glass Replacement

Make sure both bottom latches are facing upwards

Position the glass at a 45° angle and lay it on the two tabs below the firebox. When correctly positioned, the tabs on the frame should insert into the bottom latches.

Swing the glass into place (make sure the bottom latches are engaged).

Re-attach the top latches (see steps "a" and "b" above).

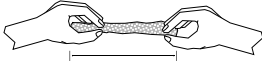


**NOTE:**  
A hole is provided here to store the glass latch tool.


- ? If converting this unit to propane, do so now (see the instructions on page 30).
- 2 Install the log set, kibbles (optional), and embers (if using the decorative fireback, install it prior to the log set - page 35).

**Preparing the Glowing Embers:**

The glowing embers comes in a single strip. Stretch them as thin as possible (nearly transparent) to form three strips of the following sizes:


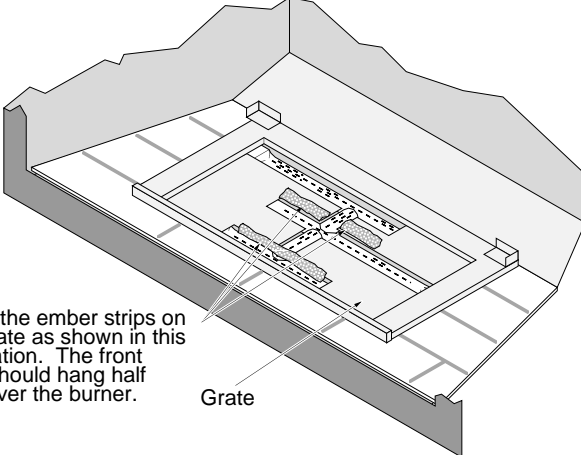


One Strip Approximately -  
7-1/2" by 1-1/2"



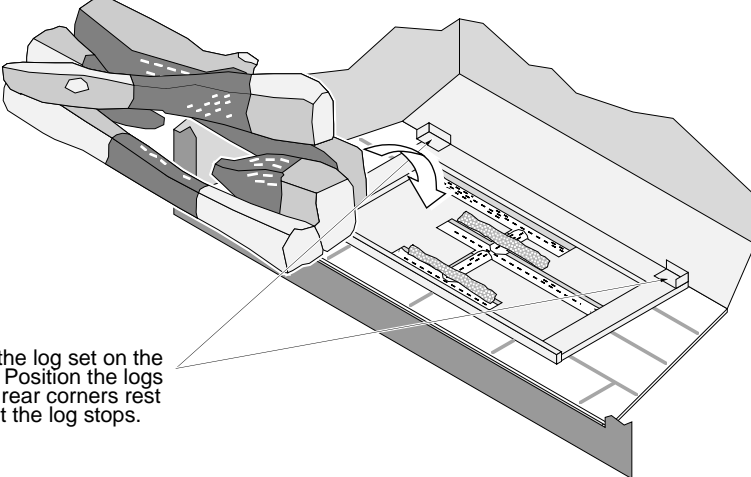
Two Strips Approximately  
3" by 1-1/2"

There may be extra material - save it for future use.

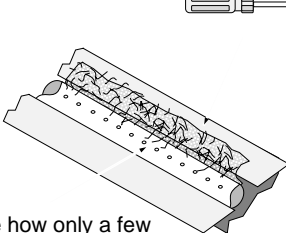
Place the ember strips on the grate as shown in this illustration. The front strip should hang half way over the burner.

Grate




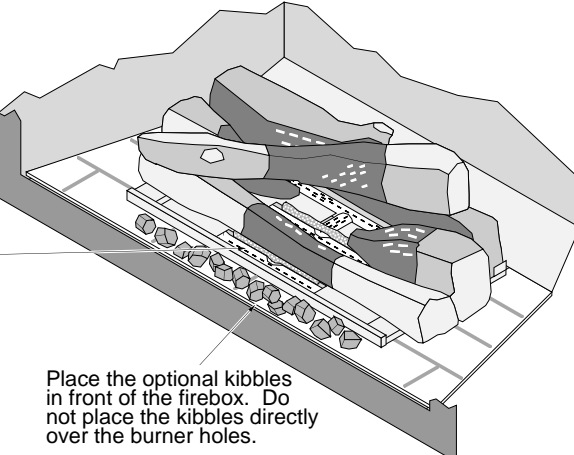
Place the log set on the grate. Position the logs so the rear corners rest against the log stops.

Tuck the front of the ember strip down, behind the burner with a screwdriver. Make sure the mat of ember wool is not over the burner holes. Tuck it behind the burner tube if necessary.



Note how only a few "whiskers" are over the burner holes.

Side View

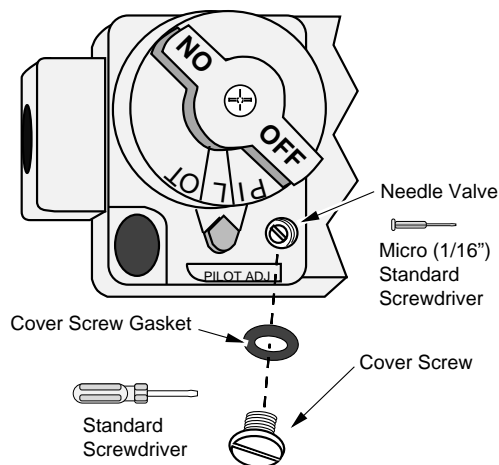
Place the optional kibbles in front of the firebox. Do not place the kibbles directly over the burner holes.

- ! We recommend you purge the gas line at this time (with the glass removed). This allows gas to be detected once it enters the firebox, ensuring gas does not build up.
- 3 Turn on gas to the heater. Leak test all gas joints prior to starting the appliance. Start the pilot (see page 21).

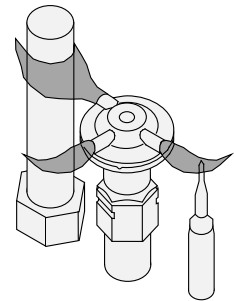
**Warning: When lighting or re-lighting the pilot, the glass must be removed (see page 21 for the full set of instructions on starting the pilot).**

- 4 Replace the glass (see page 16). Start the main burner. Leak test all gas joints again.
- 5 Install the faceplate following the instructions included with the face (shut off the insert if necessary).
- ! **ACID WASH WARNING:** Before installing the faceplate, make sure any masonry that has been treated with acid wash has been properly neutralized (this is used primarily with brick faces). Acid wash (muriatic acid) is used to remove excess mortar. If not properly neutralized with an ammonia solution, the gold or nickel face may develop a permanent tarnish when the acid evaporates over time. Contact your dealer if uncertain your facing has been properly neutralized.
- 6 Check the pilot flame to make sure it looks like the illustration below. Adjust the pilot flame if necessary.

To adjust the pilot flame, remove the cover screw and gasket and turn the needle valve (NOTE: if the needle valve is totally unscrewed, gas will come out of this port). Clockwise lowers the flame while counter-clockwise raises it. Replace the cover screw and gasket.



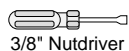
The pilot flame must contact the thermocouple and thermopile (see the illustration below). Adjust the pilot up or down as necessary.



7 Let the heater burn for fifteen minutes. Adjust the air shutter, if necessary, to achieve the correct looking flame (see the illustration below).

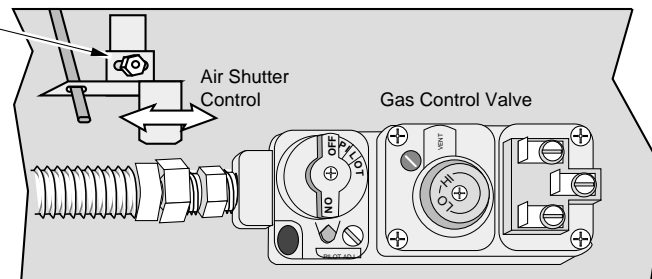
- The air shutter adjusts the amount of air that mixes with the gas before it exits the burner holes. It is used to fine-tune the flame for differences in altitude and vent configuration.

Loosen the nut on the air shutter control. Move the control left or right until the flame looks correct. Pushing to the right gives the flame more air (making it bluer). Pushing to the left cuts air down, making it more orange.

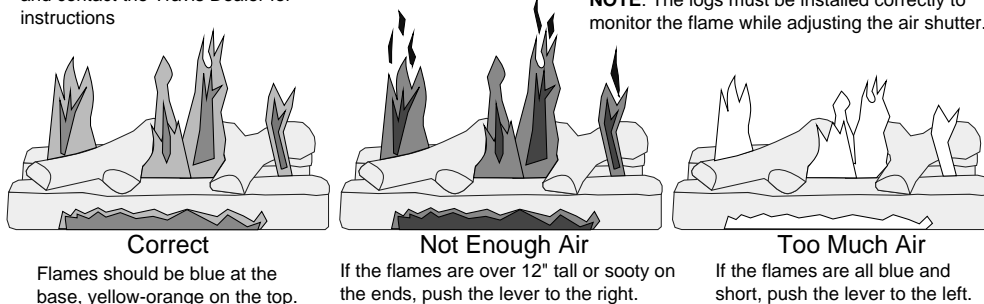


3/8" Nutdriver

**NOTE:** If the air control is all the way open, yet the flames remain sooty, shut off gas to the appliance and contact the Travis Dealer for instructions



**NOTE:** The logs must be installed correctly to monitor the flame while adjusting the air shutter.



Correct

Flames should be blue at the base, yellow-orange on the top.

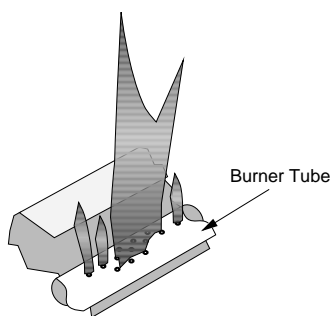
Not Enough Air

If the flames are over 12" tall or sooty on the ends, push the lever to the right.

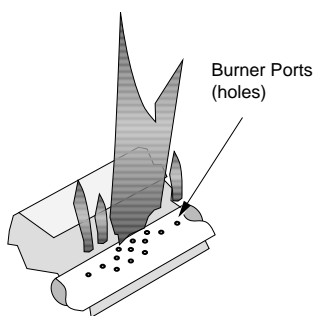
Too Much Air

If the flames are all blue and short, push the lever to the left.

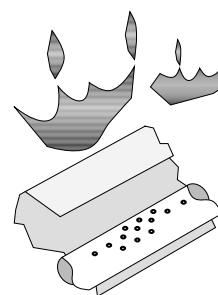
- ! If the air shutter is in its fully open position, yet the flames remain sooty, shut off gas to the heater and contact the Travis Dealer for instructions.
- ! If the vent configuration is installed incorrectly the vent may cause the flames inside the heater to lift or "ghost" – a dangerous situation. Inspect the flames after installation to insure proper performance. If the vent configuration is correct, yet the flames are lifting or ghosting, shut off gas to the heater and contact the dealer for information on remedying the problem.
- ! This heater has been tested at altitudes up to 8,000 feet. In this testing we have found that the heater, with its standard orifice, burns correctly with just an air shutter adjustment.
- ! **Failure to properly adjust the air shutter may lead to improper combustion and a safety hazard. Consult your dealer if you suspect an improperly adjusted air shutter.**



The flames should burn right off the top of the burner ports (if they are too blue, adjust the air control).



If the flames are lifting, yet the vent configuration is correct, contact your dealer.



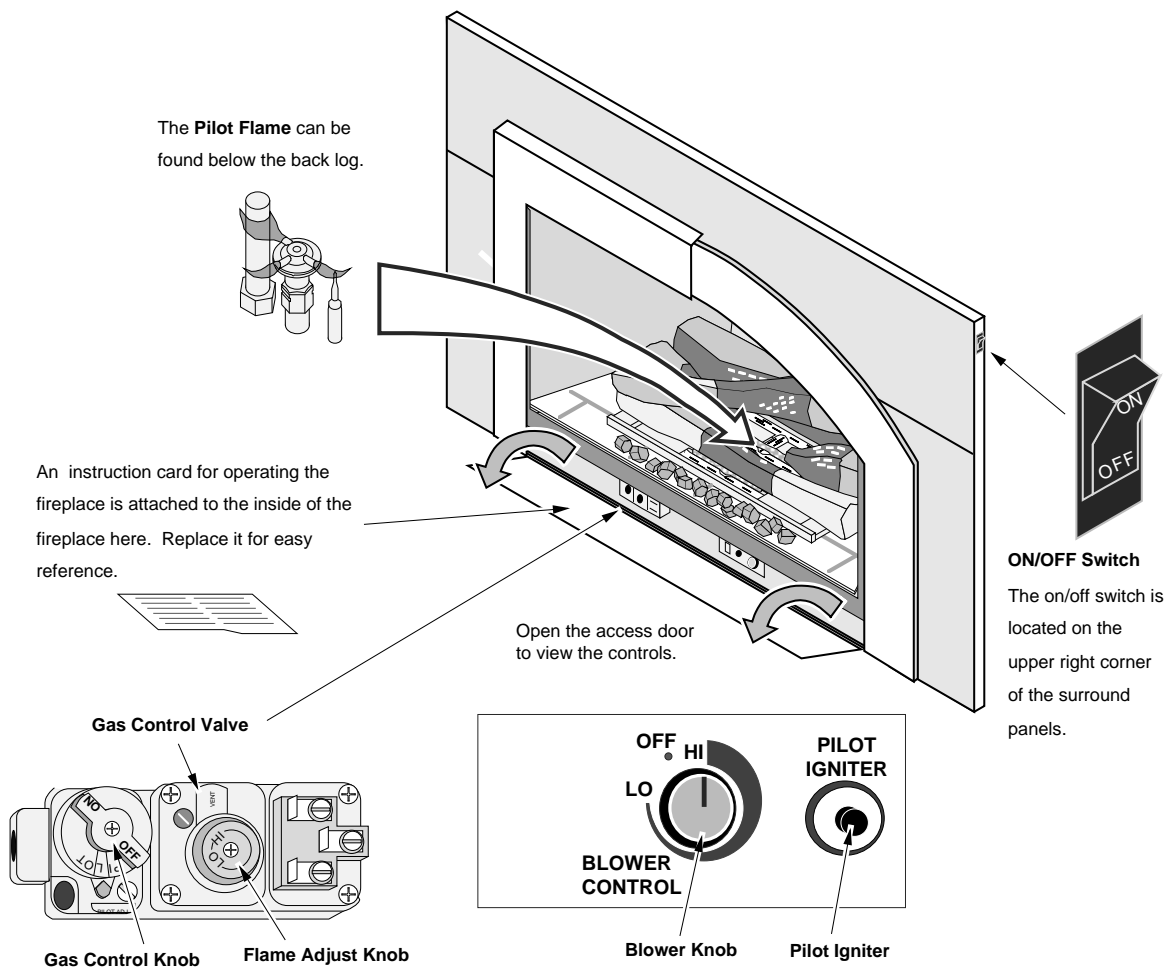
If the flames are ghosting, yet the vent configuration is correct, contact your dealer.

- 8 Turn the flame adjust knob to its highest position - the flames should be approximately 12" tall. Check the flame on low position. The flames should burn off of each burner hole. If the heater does not work correctly, contact the Travis Dealer for instructions.
- 9 Give this manual to the home owner and fully explain the operation of this heater.

## Before You Begin

- ! Read this entire manual before you use your new heater (especially the section "Safety Precautions" on pages 2 & 3). Failure to follow the instructions may result in property damage, bodily injury, or even death.

## Location of Controls - See explanation below



### Blower Knob

This knob controls the speed of the internal convection blower that pushes the heated air into the room.

### On/Off Switch

This control is used to turn the heater on and off.

### Pilot Igniter

The pilot igniter is used only to start the pilot. When pressed, it sends an electrical charge to the pilot assembly. This creates a blue spark directly next to the pilot, igniting the pilot flame.

### Gas Control Knob

This knob is used to control gas to the heater and for starting the pilot. There are three positions, ON, OFF, & PILOT. The pointer directly below the knob indicates the position this knob is in.

### Flame Adjust Knob

This knob controls the flame height from low ("LO") to high ("HI"). The pointer to the upper left of the knob points to the position this knob is in.

- ? If using a remote control or thermostat, the On/Off Switch must be left "ON". Turning the On/Off Switch "OFF" will keep the heater off always.

## Starting The Pilot Flame

The pilot flame is required to ignite the main burners (it also plays a safety role). It should be left on once lit. It will stay lit unless the gas control valve is turned to "OFF". However, the pilot will go out if the gas is shut off, the propane tank runs out (or low) or if the stove malfunctions. If the pilot turns off frequently, call your dealer for information. To start the pilot follow the directions below:

**WARNING:**

**When lighting or re-lighting the pilot, the glass must be removed (see page 16).**

- a Remove the glass (see page 16 for details).
- b Push the gas control knob in slightly and turn it to the "OFF" position. The knob will not turn from "ON" to "OFF" unless the knob is depressed slightly. Wait five minutes to let any gas that may have accumulated inside the firebox escape. If you smell leaking gas, follow the directions on the cover "IF YOU SMELL GAS".
- c Turn the gas control knob to the "PILOT" position and press the knob in, this will allow gas to flow to the pilot light. Press the red button on the pilot igniter repeatedly until you see the pilot light.

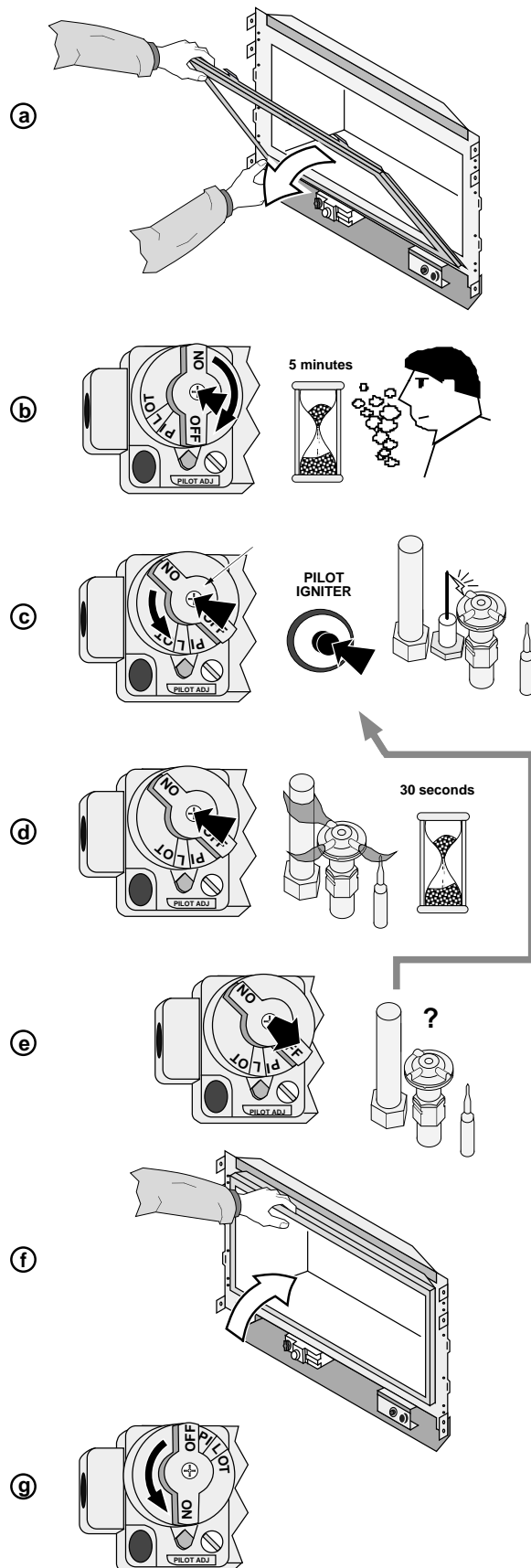
**WARNING:**

**If the pilot does not light after 15 seconds, release the knob and call your dealer for service. Do not attempt to light pilot until service has been performed.**

**NOTE:**

**You may wish to remove the log set to gain a better view of the pilot (see page 17).**

- d Keep the gas control knob depressed for 30 seconds once it is lit.
- e Release the gas control knob. If the pilot goes out, repeat step C. If the pilot refuses to stay lit, call your dealer for service. With the pilot lit, proceed to step "f".
- f Replace the glass.
- g Turn the gas control knob counter-clockwise to "ON". The pilot is now lit and the heater can be turned on and off.

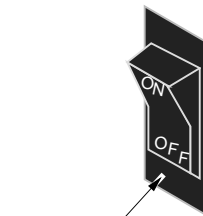


## Starting the Heater for the First Time

- + Burn the heater at a medium setting for approximately one hour the first time. This will cure the painted surfaces. **Fumes** from the paint curing and oil burning off the steel may occur. This is normal. We recommend you open the window to vent the room.
- + **Condensation** may appear on the glass each time you start the Heater - this is normal.
- + **Blue Flames** will occur on the heater when it first comes on. After fifteen minutes the flames will turn a more realistic yellow and orange color.
- ? Certain installations use a remote "wall switch" to turn the heater on and off. If this is the case, leave the ON/OFF switch "ON".

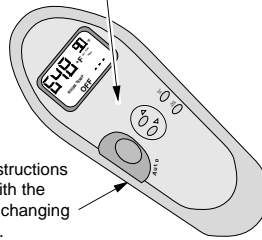
## Turning the Heater On and Off

After the pilot has been started...



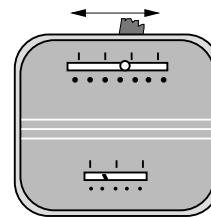
Use this switch to turn the main burner on and off manually.

See the instructions included with the remote for details on operation.



See the instructions included with the remote for changing the battery.

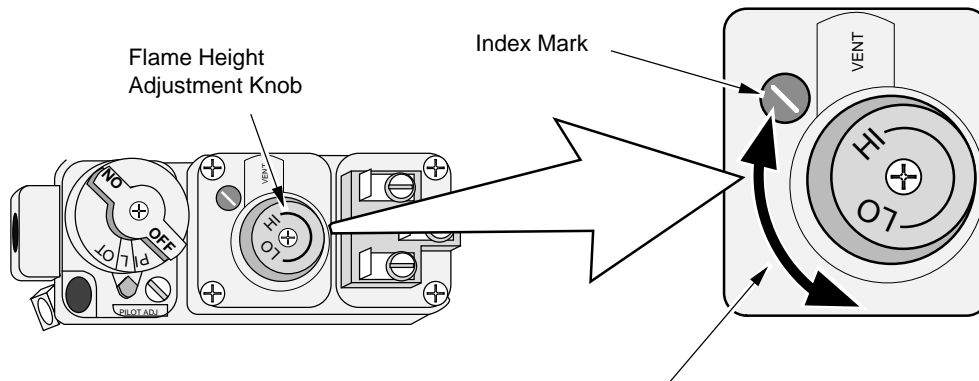
For systems with wall thermostats, use this switch to control the temperature (right is hotter, left cooler). Some systems require the on/off switch to be on.



- ! Do not place any combustible items on top of or directly in front of the heater, even temporarily. The optional thermostat may start the heater causing a combustible item to ignite.
- ? If the heater turns on and off frequently while using the thermostat, you may want to adjust the flame height down until it produces just enough heat needed.

## Adjusting the Flame Height

- + Your heater has an adjustable flame to tailor the look and heat output to your specific needs. It is adjusted by turning the "HI - LO" dial on the gas control valve.

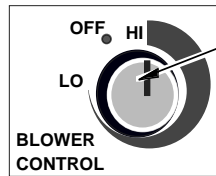


Turn clockwise to adjust the flame higher, counter-clockwise to lower.



## Adjusting the Blower Speed

The internal blower helps transfer the heat from the heater into the room. It will not turn on until the heater is up to temperature (approximately 10 minutes after starting). See the illustration below for instructions on adjusting the blower speed.



Blower Knob

Turn the knob all the way counter-clockwise to turn the blower off. One click clockwise turns the blower to high speed. Turning the knob clockwise from the high position decreases the speed of the blower.

## Normal Operating Sounds

### Pilot Flame

The pilot flame, which remains on, makes a very slight "whisper" sound.

### Blower

This heater uses a blower to push heated air into the room. You will hear the sound of air movement that increases as the speed is increased.

The appliance will creak with change of temperature.

### Gas Control Valve

As the gas control valve is turned on and off you will hear a dull clicking sound. This is the valve opening up and shutting down.

### Blower Snap Disk

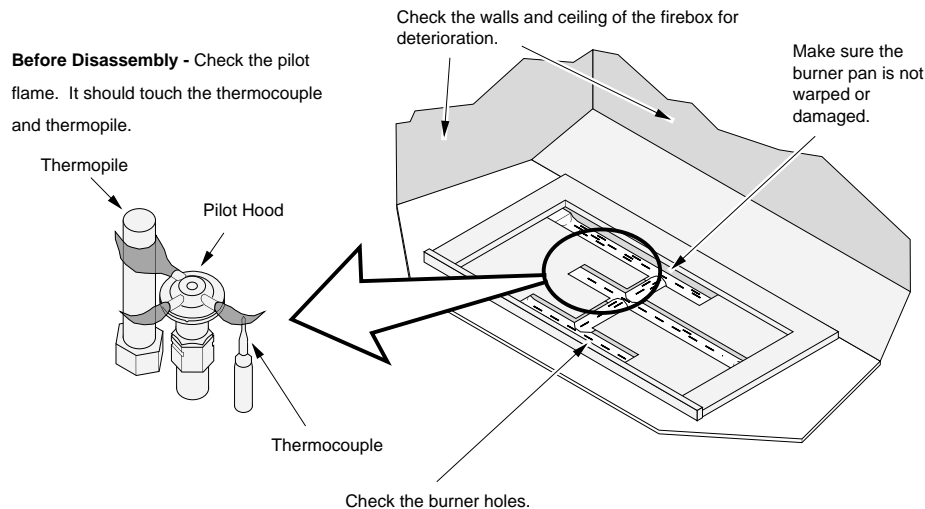
This part can produce a clicking sound as it turns the blower on and off.

### ***Maintaining Your Heater's Appearance***

- ! Fingerprints or other marks left on the optional gold or nickel surface may become etched in place if they are not wiped clean prior to turning the stove on. Clean the gold or nickel with denatured alcohol and a soft cloth (make sure the heater is cool). Other cleaners may leave a film that may become etched into the gold or nickel.

### ***Yearly Service Procedure***

- ! Failure to inspect and maintain the heater may lead to improper combustion and a potentially dangerous situation. We recommend the following procedures be done by a qualified technician.
- 1 Check the pilot flame. It should touch approximately 3/8" of the top of the thermopile and touch the top of the thermocouple (see illustration below). If it does not, contact your dealer for service.
  - 2 Shut off gas to the heater by turning the gas control knob to "OFF" (see step A under "Starting the Pilot" on page 21). Let the heater cool for 15 minutes. Remove the faceplate (see instructions included with face) and glass (see page 16).
  - 3 Remove the log set (**NOTE: the logs are very fragile** - see page 17). If severely deteriorated, replace. Check the logs for sooting. A small amount of soot along the bottom of the logs is normal. If excessive sooting is found, the heater will require adjustment. Contact your dealer.
  - 4 Clean the burner tube (especially the burner holes) and inspect the following:
    - Check for burner tube holes that are cracked, severely warped, or corroded.
    - Make sure the burner assembly is not warped or damaged.
    - Check the firebox and area around the pilot to make sure there is no warping or damage.
 If any problem is found, discontinue use and contact your dealer for service.



- 5 Replace the log set. Replace the glass. Make sure the gasket along the perimeter of the glass contacts the face of the firebox and forms an air-tight seal. If it does not, re-align. If the glass or glass frame is damaged, replace it.
- 6 Inspect the area behind the access door. Clean if necessary. Check the gas control valve and all of the gas lines. If any damage is found, discontinue use and contact your dealer for service.
- 7 Start the pilot and turn on the main burner. The flames should be orange/yellow and not touch the top of the firebox. If the pilot or main burners do not burn correctly, contact your dealer for service. Monitor the blower operation.
- 8 Remove any debris or vegetation near the vent termination. Contact your dealer if any sooting or deterioration is found near the vent termination.

## Troubleshooting Table

<b>Problem:</b>	<b>Possible Cause:</b>	<b>Don't Call for Service Until You:</b>
<b>Pilot Will Not Light</b>	A gas shut off valve is turned off..... The gas control knob isn't turned to "PILOT"..... The valve control knob isn't pushed in..... The igniter wasn't pressed repeatedly..... No Propane in Tank.....	Check all gas shut off valves See "Starting the Pilot Light" Step C See "Starting the Pilot Light" Step C See "Starting the Pilot Light" Step C Check Tank Level
<b>Main Burners Will Not Start</b>	The pilot light has gone out..... The gas control valve is turned to "PILOT" or "OFF" The ON/OFF switch is turned to "OFF"..... The remote control is not working correctly..... The thermostat is disconnected or set too low.....	See "Starting the Pilot Light" See "Starting the Pilot Light" Turn the ON/OFF switch to "ON" See the remote control instructions See "Thermostat Operation"
<b>Remote Control Does Not Work</b>	The pilot light has gone out..... The gas control valve is turned to "PILOT" or "OFF" The ON/OFF switch is turned to "OFF"..... The remote is too far away from the heater..... The remote control receiver is turned "Off"..... One of the two remote control batteries is dead.....	See "Starting the Pilot Light" See "Starting the Pilot Light" Turn the ON/OFF switch to "ON" Use the remote closer to the heater See the remote control instructions See the remote control instructions
<b>Thermostat Does Not Work</b>	The pilot light has gone out..... The gas control valve is turned to "PILOT" or "OFF" The ON/OFF switch is turned to "OFF"..... The thermostat is set too low.....	See "Starting the Pilot Light" See "Starting the Pilot Light" Turn the ON/OFF switch to "ON" See "Thermostat Operation"
<b>Heater Will Not Distribute Heat</b>	The heater is not getting electricity..... The heater is not up to temperature.....	Check the breaker switch See "Operating Your Heater"
<b>Pilot Goes Out Once A Month Or More</b>	The gas supply has been shut off.....	Keep the gas supply turned on
<b>Flames Are Too Blue</b>	The heater has just been started..... Improper air shutter adjustment.....	This is normal - see "Starting the Heater for the First Time" Adjust Air Shutter - contact your dealer
<b>Flames Are Too Short (Under 6")</b>	The flame height may be turned too low.....	Turn the flame height to "HI" - See "Adjusting the Flame Height"
<b>Thin Layer of Soot Covers the Glass</b>	The logs or coals are placed incorrectly..... Improper air shutter adjustment.....	See "Log Set Installation and Removal" Adjust Air Shutter - contact your dealer

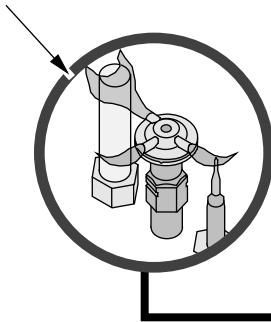
## How this Heater Works

- ! This heater was designed with safety as the primary concern. Many of the components inside this heater are for safety purposes. Therefore, only certified gas service technicians should service this heater.

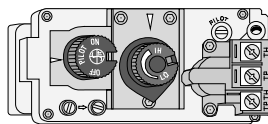
### What Turns the Main Burners On and Off

This heater uses a millivolt system to control its operation (a millivolt is a very small amount of electricity). The thermopile and thermocouple generate electricity when heated by the pilot flame. This electricity is used to operate the gas valve. Without enough electricity, the gas valve will not turn on. That is why when starting the pilot the gas control knob has to be pressed in long enough for the thermocouple to heat up and generate enough electricity. The thermopile provides power for the ON/OFF switch, remote control, or thermostat (see the illustration below). Because the thermopile generates the electricity needed to turn the heater on and off, this heater can be operated when the power is out (although the blower will not run).

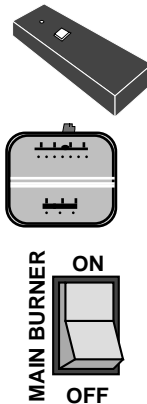
When heated, the thermopile generates electricity (a very small amount measured in "Millivolts").



This electricity is used to operate the main burners.



The main burners are switched on and off using the electricity generated by the thermopile. The ON/OFF switch, remote control, or thermostat control the circuit to the main burner.

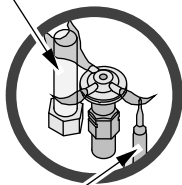


### What Prevents Gas Buildup

- + This appliance utilizes a high-technology gas valve in conjunction with a pilot flame to ensure no gas builds up inside the firebox.
- + The thermocouple (next to the pilot) senses when the pilot flame is lit. If the pilot flame goes out, this thermocouple no longer generates electricity, causing the gas valve to automatically shut off all gas to the heater, preventing the pilot from spilling gas into the firebox.

#### Pilot Flame

The pilot flame is a time-proven component that eliminates the possibility of gas buildup inside the firebox.

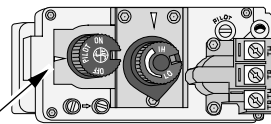


#### Thermocouple

The thermocouple generates a small amount of electricity. If the pilot flame goes out, the gas valve automatically shuts off all gas.

#### Gas Valve

This high-technology valve automatically shuts off all gas if it does not receive a signal from the thermocouple. If any component is damaged or sensing a malfunction, or if the wiring is damaged, it will shut off all gas.

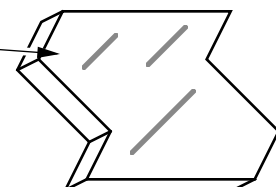


#### External Shut Off Valve

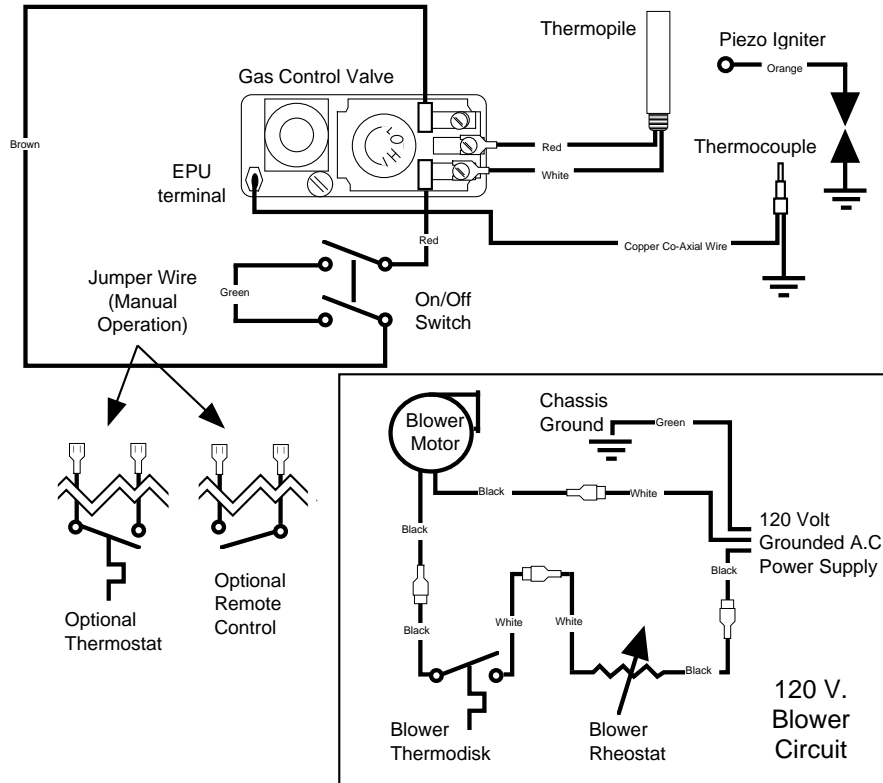
This valve is placed on the gas line to shut off gas to the appliance during maintenance procedures.

#### Ceramic Glass

The glass in your heater is the most durable glass available. It has been tested to be extremely resistant to breakage from temperature changes.



## Wiring Diagram




## Replacement Parts List

Burner Tube, NG or LP	93006000	Power Cord, With Molex Connector	99300656
Control Valve, LP	97300130	Regulator, Natural Gas	98900733
Flue Adapter, 6-5/8" Round to 3" & 4" Colinear	98900124	Regulator, Propane (LP)	98900734
Knob for Rheostat	99300657	Screws, FPX Gas Fireplace Face, Black, Set of 5	91001643
Latch Tool for Glass Frame	93006041	Screws, FPX Gas Fireplace Face, Gold, Set of 5	91001642
Log Set, ( One Piece)	93006050	Snap Disk, 120 Degree - 2 Prong	98900720
Orifice, Pilot, .016 (LP)	91001506	Switch, On/Off	98900747
Orifice, Pilot, .021 (NG)	91001505	Thermocouple	98900748
Piezo Igniter	98900751	Thermopile	98900752
Pilot Assembly, LP	93006021	Thermostat, Remote	99300653
Pilot Assembly, NG	93006020	Thermostat, Wall Mounted	99300650
Pilot Tube	91001508	Orifice, Burner NG #31	98900605
Glass with Frame	93006045	Orifice, Burner LP #49	98900607

# 28 Safety Label

The safety (listing) label is on a plate chained to the gas control valve. A copy of the safety label is shown below.



UL, ETL, ETC  
Vented Gas Direct-Vent Fireplace Heater

UL, ETL, ETC  
Vented Gas Direct-Vent Fireplace Heater

Tested and certified by UL, Inc. Laboratories, Inc. to the combustion performance and construction requirements of ANSI Z21.88/CSA 2.23-1998, applicable sections of UL 307b and CAN/CSA 2.17-AM1.

The DVL insert is equipped from the factory only for use with Natural Gas. For conversion to LP (propane) use kit supplied by the manufacturer. This appliance must be installed in accordance with all local codes, if any, in USA follow ANSI Z21.31-1992 and NFPA 58(8), in Canada CAN/CSA B-149, Installation and Conversion of Gas-Fired Residential Heating Appliances, in Mexico follow NOM-001-SENER-2002, in South America follow NOM-001-SENER-2002, in Europe follow EN 13240 and Gas-Fired Residential Heating Appliances, in Middle East follow EN 13240 and Gas-Fired Residential Heating Appliances, in Africa follow EN 13240 and Gas-Fired Residential Heating Appliances, and may be installed in an aftermarket, permanently located, manufactured (modular) home where not prohibited by local codes. See owner's manual for details. This appliance is not convertible for use with other gases, unless a certified kit supplied by the manufacturer is used. See owner's manual for information on making these changes. This appliance uses a manual-type control system consisting of a gas control valve, regulator, standing pilot burner and gas valve. The gas control valve is equipped with a thermopile safety device. Combustion air is drawn from outside the living area structure. Exhaust gases must be vented outside the structure of the living area. Combustion air is drawn from outside the living area structure.

**This appliance is a Vented Gas Fireplace Heater. Not for use with Solid Fuel.**

Installation and repair should be performed by a qualified service person. The appliance should be inspected before use and at least annually by a qualified service person. More frequent cleaning may be required where excessive lint from material like carpeting and bedding is present. The control compartment, the burner compartment and all circulating air passageways of the appliance must be kept clean and clear at all times.

This appliance must be properly connected to a venting system in accordance with the manufacturer's installation instructions.

Due to high gas pressures, this appliance should be located in a well-ventilated area.

Children and adults should be alerted to the hazards of high surface temperature and should step away to avoid flash burns or clothing ignition. Young children should be carefully supervised at all times when they are in the same room as the appliance.

**CAUTION:** Hot while in operation. Do not touch. Keep children, clothing, furniture, gasoline and other liquids having flammable vapors away.

**CAUTION:** Do not operate this appliance with glass removed, cracked or broken. Replacement of the panels should be done by a licensed or qualified service person.

Minimum Clearances to Combustibles	
Facetable to Adjacent Wall ..... 6" (153mm) Hearth Extension in Front ..... 12" (305mm) Hearth Extension to Sides of Facetable ..... 0" (0mm)	Facetable to Mantel (from top of insert face) ..... 10" (255mm) Facetable to Front Facing ..... 8.5" (215mm) Fire Vent ..... See Owner's Manual
<b>FAN TYPE VENTED CIRCULATOR</b>	
Blower Electrical Rating: 115 V, 1.5 Amps, 60 Hz, 150 watts	
<b>Steady State Efficiency</b> ..... Up to 81% (blowers on)	
<b>Output Capacity Rating</b> ..... Up to 32,400 (blowers on)	


	LP	NG	LP	NG
Input Rate on "Hr" (BTU/Hr) .....	40,000	40,000	11.5"	5.5"
Input Rate on "Lo" (BTU/Hr) .....	20,000	20,000	13"	7"
Maximum Output (BTU/Hr) .....	32,400	31,200	11"	3.5"
Main Burner Orifice (DMS) .....	#49	#31	27"	1"

This appliance is equipped for installation in Canada at 0-4500 ft. (0-1370 m); in USA, 0-2000 ft. (0-610 m).

In USA, for altitudes above 2,000 feet, the vent configuration, orifice, or combination of both may need to be changed. See the owner's manual for information on making these changes.

Manufacture Date:

1998	Jan	Apr	Jul	Oct
1999	Feb	May	Aug	Nov
2000	Mar	Jun	Sep	Dec



**Travis Industries, Inc.**  
10850 117th Pl. N.E. Kirkland, WA 98033  
IGN

To register your TRAVIS INDUSTRIES, INC. 7 Year Warranty, complete the enclosed warranty card and mail it within **ten (10)** days of the appliance purchase date to: TRAVIS INDUSTRIES, INC., 10850 117th Place N.E., Kirkland, Washington 98033. TRAVIS INDUSTRIES, INC. warrants this gas appliance (appliance is defined as the equipment manufactured by Travis Industries, Inc.) to be defect-free in material and workmanship to the original purchaser from the date of purchase as follows:

## Years 1 & 2 - COVERAGE: PARTS & LABOR

### Burner Assembly:

Burner Tubes, Air Shutter Assembly, Main Burner Orifice

### Firebox Assembly:

Adjustable Air Restrictor, Pressure Relief Mechanisms, Glass Frame and Latch

### Electrical Assembly:

Wiring harness, snap discs, Blower, Blower Rheostat

### Gas Control Assembly

Adjustable control valve, millivolt wiring and connectors (located within the appliance), thermopile, thermocouple, pilot hood, orifices, pilot gas line, piezo ignitor

### Ceramic Glass

Glass (breakage from thermal shock)

### Ceramic Logs

Log Set, Coals, Ember Strip (Steel Fiber)

### Accessories

Cast Fireback, Panels, Faceplate (see "Conditions and Exclusions" # 9)

### Convection Heat Exchanger

### Re-Installation Allowance

### One-Way Freight Allowance

**Exclusions:** Paint, Gasketing

## Years 3 THROUGH 5 - COVERAGE: PARTS & LABOR

### Burner Assembly:

Burner Tubes, Burner Pan, Air Shutter Assembly, Main Burner Orifice

### Firebox Assembly:

Adjustable Air Restrictor, Pressure Relief Mechanisms, Glass Frame and Latch

### Convection Heat Exchanger

### One-Way Freight Allowance

**Exclusions:** Paint, Gasketing, Electrical Assembly, Gas Control Assembly, Ceramic Glass, Ceramic Logs, Accessories (Fireback, Panels, Faceplate), Re-Installation Allowance

## Years 6 & 7 - COVERAGE: PARTS ONLY

### Burner Assembly:

Burner Tubes, Burner Pan, Air Shutter Assembly, Main Burner Orifice

### Firebox Assembly:

Adjustable Air Restrictor, Pressure Relief Mechanisms, Glass Frame and Latch

**Exclusions:** Paint, Gasketing, Electrical Assembly, Gas Control Assembly, Ceramic Glass, Ceramic Logs, Convection Heat Exchanger, Accessories (Fireback, Panels, Faceplate), Re-Installation Allowance, One-Way Freight Allowance, Labor

## CONDITIONS & EXCLUSIONS

- This new gas appliance must be installed by a qualified gas appliance technician. It must be installed, operated, and maintained at all times in accordance with the instructions in the Owner's Manual. Any alteration, willful abuse, accident, neglect, or misuse of the product shall nullify this warranty.
- This warranty is nontransferable, and is made to the ORIGINAL purchaser, provided that the purchase was made through an authorized TRAVIS dealer.
- Discoloration and some minor expansion, contraction, or movement of certain parts and resulting noise, is normal and not a defect and, therefore, not covered under warranty. The installer must ensure the appliance is burning as per the rating tag at the time of installation. Over-firing (operation above the listed BTU rate) of this appliance can cause serious damage and will nullify this warranty.
- The warranty, as outlined within this document, does not apply to the chimney components or other Non-Travis accessories used in conjunction with the installation of this product. If in doubt as to the extent of this warranty, contact your authorized TRAVIS retailer before installation.
- Travis Industries will not be responsible for inadequate performance caused by environmental conditions such as nearby trees, buildings, roof tops, wind, hills or mountains or negative pressure or other influences from mechanical systems such as furnaces, fans, clothes dryers, etc.
- This Warranty is void if:
  - The unit has been operated in atmospheres contaminated by chlorine, fluorine or other damaging chemicals.
  - The unit is subject to submersion in water or prolonged periods of dampness or condensation.
  - Any damage to the unit, combustion chamber, heat exchanger or other components due to water, or weather damage which is the result of, but not limited to, improper chimney/venting installation.
- Exclusions to this 7 Year Warranty include: injury, loss of use, damage, failure to function due to accident, negligence, misuse, improper installation, alteration or adjustment of the manufacturer's settings of components, lack of proper and regular maintenance, damage incurred while the appliance is in transit, alteration, or act of God.
- This 7 Year warranty excludes damage caused by normal wear and tear, such as paint discoloration or chipping, worn or torn gasketing, corroded or cracked logs, embers, etc. Also excluded is damage to the unit caused by abuse, improper installation, modification of the unit, drilling of the orifices, or the use of fuel other than that for which the unit is configured. Units are shipped for natural gas and must be converted to propane using the included conversion kit. Confirm fuel configuration with your installer.
- Damage to gold or nickel surfaces caused by fingerprints, scratches, melted items, or other external sources left on the gold or nickel from the use of cleaners other than denatured alcohol is not covered in this warranty.
- TRAVIS INDUSTRIES, INC. is free of liability for any damages caused by the appliance, as well as inconvenience expenses and materials. Incidental or consequential damages are not covered by this warranty. In some states, the exclusion of incidental or consequential damage may not apply.
- This warranty does not cover any loss or damage incurred by the use or removal of any component or apparatus to or from the TRAVIS gas appliance without the express written permission of TRAVIS INDUSTRIES, INC. and bearing a TRAVIS INDUSTRIES, INC. label of approval.
- Any statement or representation of TRAVIS products and their performance contained in TRAVIS advertising, packaging literature, or printed material is not part of this 7 year warranty.
- This warranty is automatically voided if the appliance's serial number has been removed or altered in any way. If the appliance is used for commercial purposes, it is excluded from this warranty.
- No dealer, distributor, or similar person has the authority to represent or warrant TRAVIS products beyond the terms contained within this warranty. TRAVIS INDUSTRIES, INC. assumes no liability for such warranties or representations.
- Travis Industries will not cover the cost of the removal or re-installation of hearths, venting or other components.
- If for any reason any section of this warranty is declared invalid, the balance of the warranty remains in effect and all other clauses shall remain in effect.
- This 7 year warranty is the only warranty supplied by Travis Industries, Inc., The manufacturer of the appliance. All other warranties, whether express or implied, are hereby expressly disclaimed and purchaser's recourse is expressly limited to the warranties set forth herein.

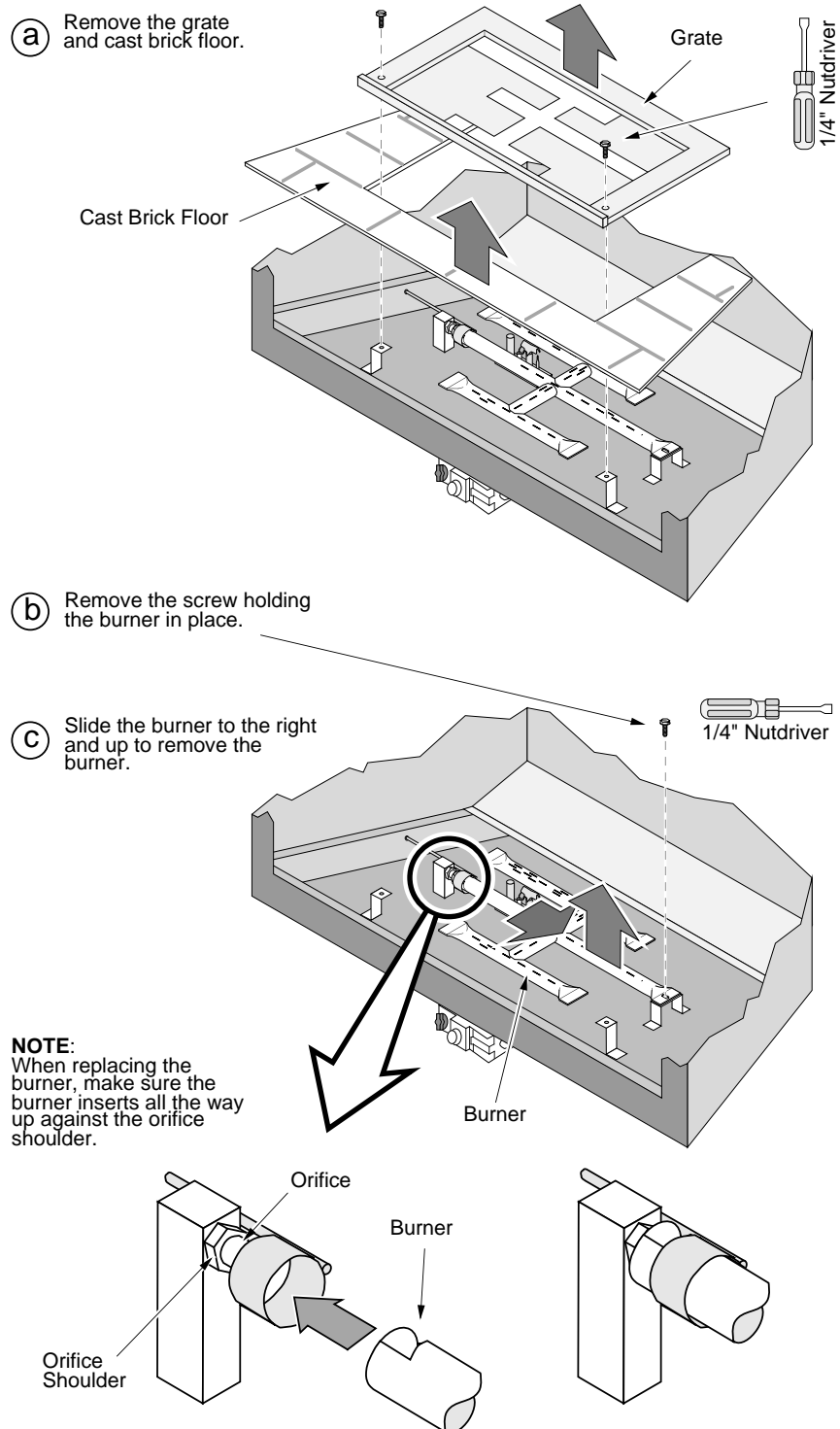
## IF WARRANTY SERVICE IS NEEDED:

- If you discover a problem that you believe is covered by this warranty, you MUST REPORT it to your TRAVIS dealer WITHIN 30 DAYS, giving them proof of purchase, the purchase date, and the model name and serial number.
- Travis Industries has the option of either repairing or replacing the defective component.
- If your dealer is unable to repair your appliance's defect, he may process a warranty claim through TRAVIS INDUSTRIES, INC., including the name of the dealership where you purchased the appliance, a copy of your receipt showing the date of the appliance's purchase, and the serial number on your appliance. At that time, you may be asked to ship your appliance, freight charges prepaid, to TRAVIS INDUSTRIES, INC. TRAVIS INDUSTRIES, INC., at its option, will repair or replace, free of charge, your TRAVIS appliance if it is found to be defective in material or workmanship within the time frame stated within this 7 year warranty. TRAVIS INDUSTRIES, INC. will return your appliance, freight charges (years 1 to 5) prepaid by TRAVIS INDUSTRIES, INC., to your regional distributor, or dealership.
- Check with your dealer in advance for any costs to you, when arranging a warranty call. Dealers may require you to pay a service or trip charges for any warranty work. This charge can vary from store to store.

***LP Conversion Instructions***

**Install the conversion kit prior to installing the gas line to ensure proper gas use.**

- 1 Remove the glass (see page 16). Remove the logs, coals, and ember strips (if installed - page 17)
- 2 Remove the burner (see illustration below).

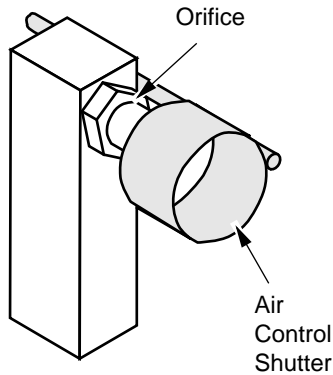




- 3 Follow the directions below to remove the natural gas orifice. Apply thread sealant to the LP orifice (#49 - it has "49" stamped on it) and tighten in place with a 1/2" open end wrench. Slide the adjustable shutter back in place over the orifice.

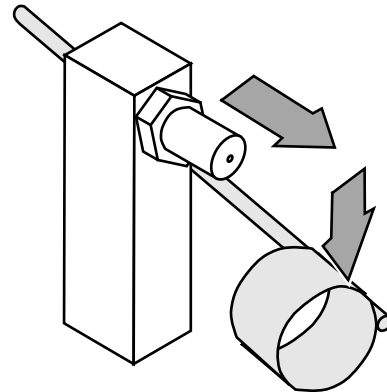
(a)

Loosen the air control shutter (see page 19).



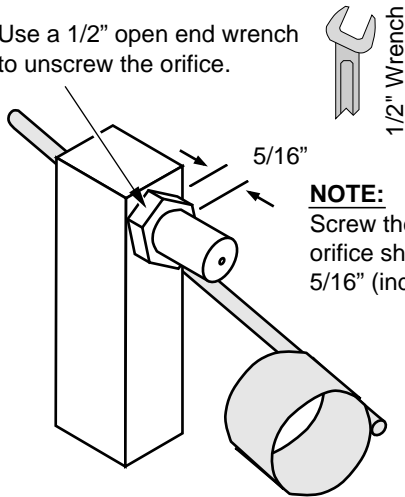
(b)

Rotate the air control shutter away from the orifice.



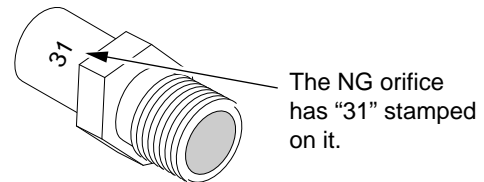
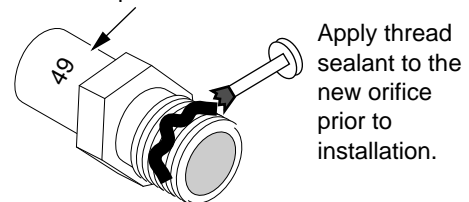
(c)

Use a 1/2" open end wrench to unscrew the orifice.



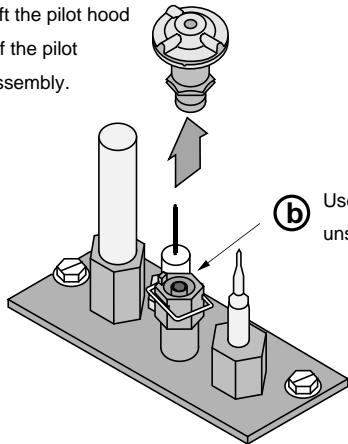
(d)

The LP orifice has "49" stamped on it.




4 Remove the pilot orifice following the instructions below. Replace with the propane pilot orifice

**a** Lift the pilot hood off the pilot assembly.

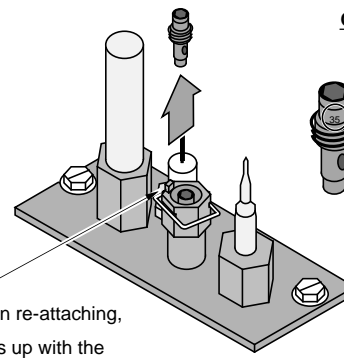


**b** Use a hex wrench to unscrew the orifice.



5/32" Hex

**c** Remove the orifice and replace with the LP orifice. Screw the orifice all the way in and replace the pilot hood.



**NOTE:** when re-attaching, this pin lines up with the notch in the pilot hood.

**Orifice Identification:**

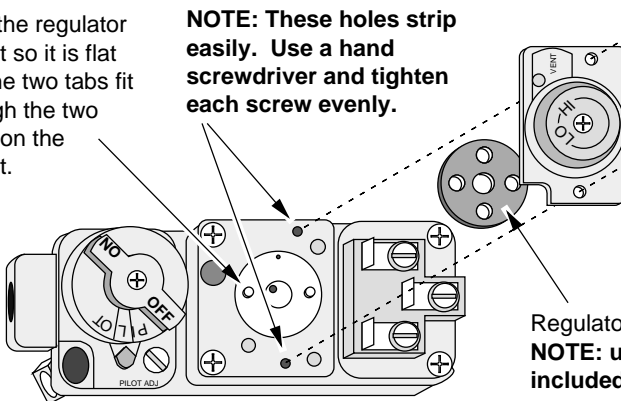
LP (Propane) Orifice	35
NG (Natural Gas) Orifice	62

5 Install the logs and embers.

6 Remove the regulator from the front of the gas control valve. Replace with the propane regulator, using the new gasket and screws included with the regulator. **NOTE: Leak test this area after the heater is installed, gas is connected, and the main burner is lit.**

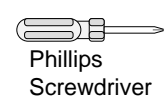
Align the regulator gasket so it is flat and the two tabs fit through the two holes on the gasket.

**NOTE: These holes strip easily. Use a hand screwdriver and tighten each screw evenly.**



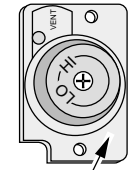
Regulator Gasket  
**NOTE: use the new gasket included with the regulator.**

These screws hold the regulator in place.  
**NOTE: use the new screws included with the regulator.**

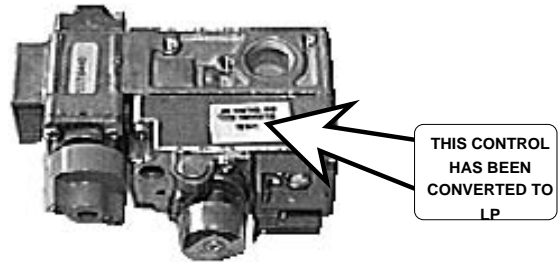


Phillips Screwdriver

LP (propane) regulators have a 11.0 2.7 stamped here.



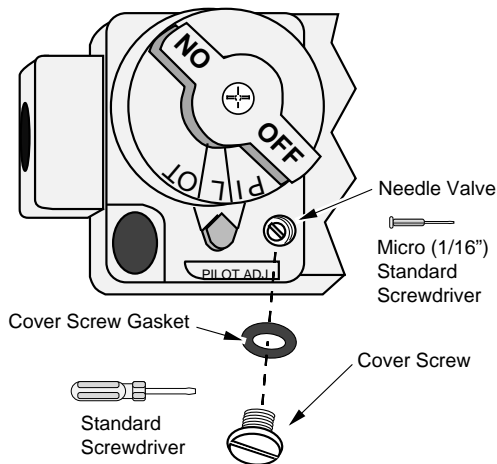
- Place the included propane label over the natural gas label on top of the gas control valve.



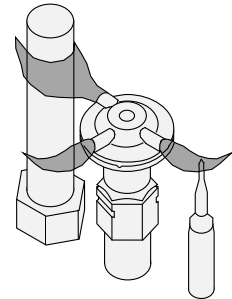
- With the glass removed, bleed the gas line (if applicable) and start the pilot (see the directions on page 21). Leak-test all gas connections and the regulator. Check the pilot. Adjust if necessary. Replace the glass and face.

**WARNING:** When lighting or re-lighting the pilot, the glass must be removed (see page 16).

To adjust the pilot flame, remove the cover screw and gasket and turn the needle valve (NOTE: if the needle valve is totally unscrewed, gas will come out of this port). Clockwise lowers the flame while counter-clockwise raises it. Replace the cover screw and gasket.



The pilot flame must contact the thermocouple and thermopile (see the illustration below). Adjust the pilot up or down as necessary.



## **Remote Thermostat (Part # 99300654)**

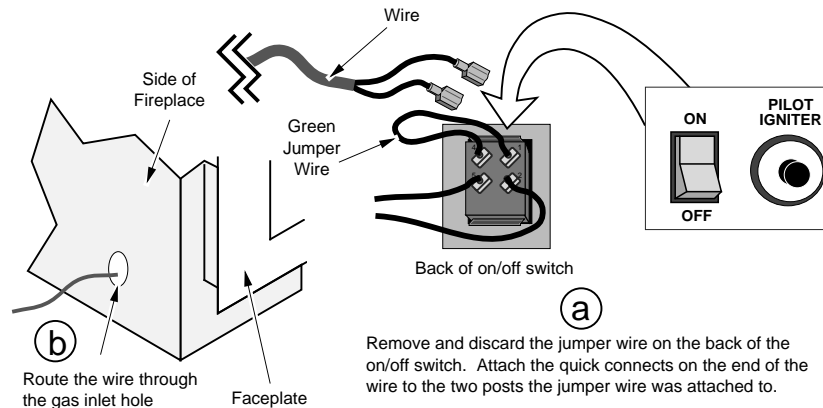
- ! Do not connect 110-120 VAC to the gas control valve or wiring system of this unit.
- Follow the instructions included with the remote thermostat for installation.

**IMPORTANT OPERATIONAL NOTE FOR REMOTE THERMOSTAT USE:**

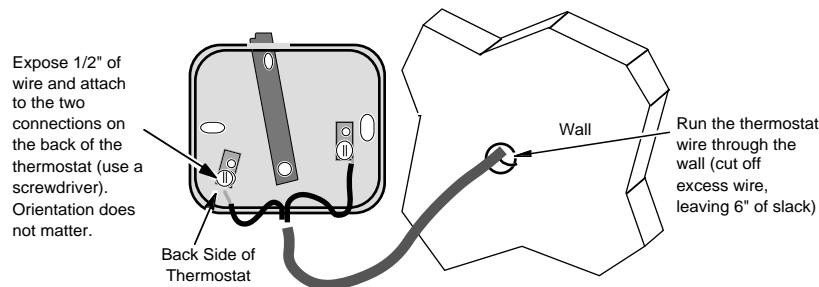
Included with the remote thermostat is a set of instructions that should be given to the homeowner. Please be aware that the remote thermostat has a 1 to 2 minute lag time between the time the thermostat is turned up and the heater turns on.

## Thermostat (Part # 99300650)

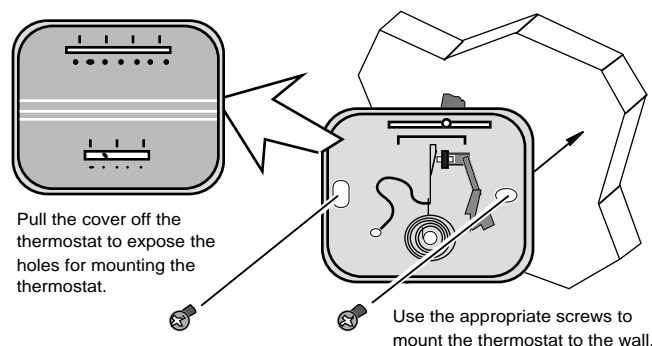
- ! Do not connect 120 VAC to the gas control valve or wiring of this unit.
- + It is easiest to route the remote control wire prior to installing the appliance. Route the wire to a location near the gas inlet. Allow 3' of wire for hookup inside the heater.
- 1 Attach the thermostat wire and route through the gas inlet hole (see the illustration below). Pull through all the slack (you may wish to wrap the wire in electrical tape to prevent damaging the wire).



- 2 Determine a location for the thermostat that is within range of the 50' length of thermostat wire. It should be centralized in the room and away from the heater. The wire may be routed externally on the wall or behind the wall (preferred).
- 3 Cut the thermostat wire so there is approximately 6" of slack (NOTE: Do not splice thermostat wires together—this leads to too much electrical resistance). Expose 1/2" off each wire of the thermostat wire. Attach the exposed wire to the clips on the back of the thermostat using a screwdriver.



- 4 Pull the cover off the thermostat. Place the thermostat in location and attach it to the wall through the two obround holes (use the appropriate screws for the type of wall it is being attached to). Replace the cover on the thermostat to complete the installation.

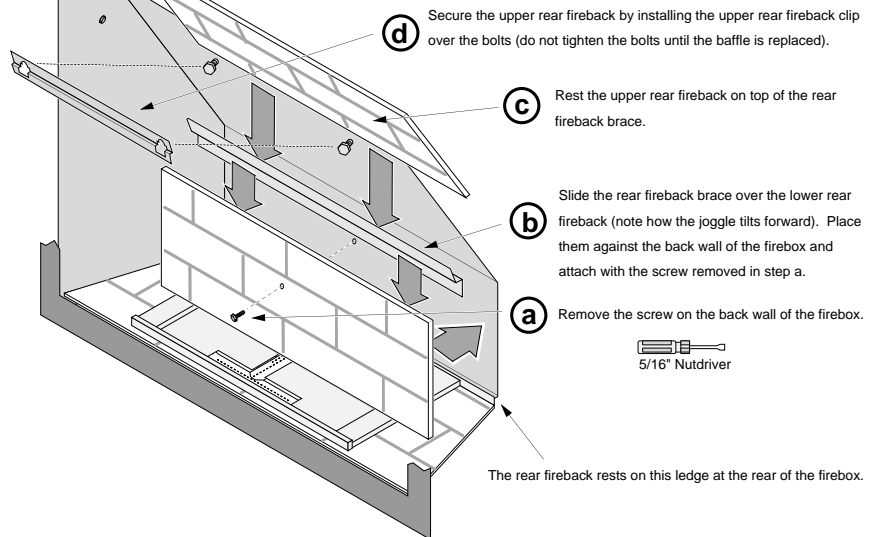
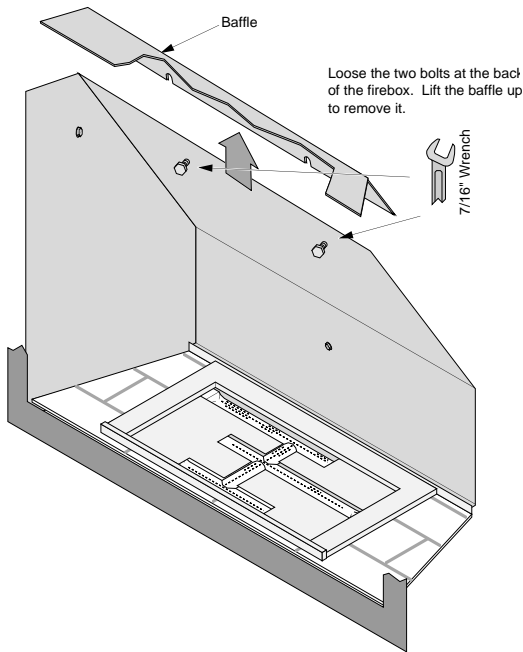


## ***Decorative Firebacks*** (Part # - Brick Pattern 98500737, Classic Pattern 98500743)

! Turn the gas control valve to "OFF" prior to conducting any service.

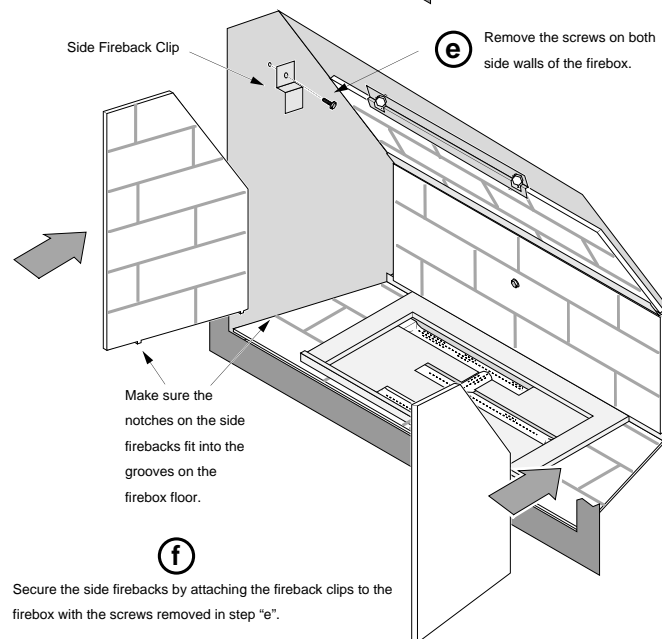
The decorative cast fireback attaches to the walls of the firebox to enhance aesthetics. Before installing, remove the face, glass, logs, and embers. The directions below detail installation.

1 Remove the baffle at the top of the firebox following the directions below to the right.



2 Install the firebacks following the directions to the right.

3 Replace the baffle removed in step 1.



Approved Vent Configurations.....	11	Installation Options .....	5
Adjusting the Blower Speed.....	23	Items Required for Installation.....	6
Adjusting the Flame Height .....	22	Leaking Gas .....	See Inst. on Cover
Air Shutter Adjustment.....	19	Listing Information .....	28
Altitude Considerations.....	10	Location of Controls.....	20
Blower Control.....	23	Log Set Installation and Removal .....	17
BTU Input.....	5	Maintenance .....	24
BTU Output.....	5	Mantel Requirements.....	8
Cap (see vent installation).....	10	Maximum Vent Length.....	10
Chimney Cap (see vent installation).....	10	Noise (see Normal Operating Sounds) .....	23
Chimney Installation (see vent installation).....	10	Normal Operating Sounds.....	23
Clearances.....	7	Packing List.....	6
Condensation on Glass.....	22	Pilot Flame Inspection.....	18
Dimensions.....	5	Piping Installation (see Gas Line Install).....	9
Dura-Vent (part numbers).....	10	Remote Control Installation.....	35
Electrical Connection.....	15	Remote Control Operation .....	35
Face Dimensions (see chart under "Clearances")	7	Safety Label.....	28
Face Installation (see instructions included w/ face)		Safety Precautions .....	2
Facing Requirements (see "Insert Clearances") ..	7	Starting The Pilot.....	21
Finalizing the Installation.....	16	Starting the Heater for the First Time .....	22
Floor Protection (Hearth).....	8	Thermostat Installation .....	34
Fuel.....	5	Thermostat Operation.....	22
Gas Control Valve (Location).....	20	Turning the Heater On and Off.....	22
Gas Inlet Pressure.....	9	Vent Length.....	10
Gas Line Connection .....	9	Vent Part Numbers .....	10
Gas Line Install.....	9	Vent Requirements .....	10
Gas Smell.....	See Inst. on Cover	Warnings.....	2
Glass Installation and Removal .....	16	Warranty.....	29
Glass, Glass Gasket.....	16	Water on Glass (see Condensation) .....	22
Hearth Requirements.....	8	What Prevents Gas Buildup.....	26
Heating Specifications .....	5	What Turns the Main Burners On and Off.....	26
How this Heater Works .....	26	Wiring Diagram.....	27
		Yearly Service Procedure.....	24