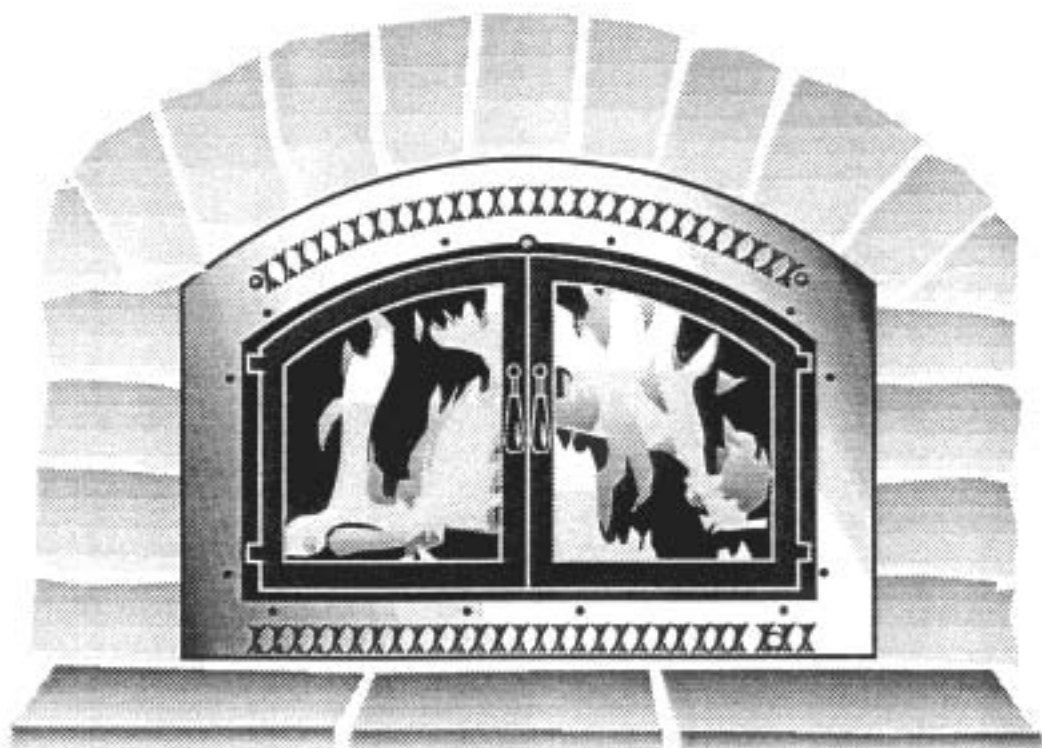




FIREPLACE XTROORDINAIR™

INSTALLATION INSTRUCTIONS

JUNE, 1993



MODEL 36A-ZC

Zero Clearance Fireplace

Tested To U.L. 127, U.L. 1482, U.L. 907
Standards By:
Warnock Hersey Professional
Services, Ltd.

MANUFACTURED BY
 **Travis Industries**

10850 117TH PLACE NE
KIRKLAND, WA 98033

IMPORTANT INFORMATION

FEATURES AND SPECIFICATIONS.....	2
PREPARATION FOR ZERO CLEARANCE INSTALLATION.....	3

ZERO CLEARANCE INSTALLATION

ZERO CLEARANCE INSTALLATION - SPECIFICATIONS.....	4
Fireplace Placement.....	6
Chase Framing.....	9
Facing.....	10
Hearth.....	12
Cooling Vents.....	13
Blower.....	14
Factory-Built Chimney.....	17
ZERO CLEARANCE INSTALLATION.....	24
Chase Installation.....	24
Factory-Built Chimney Installation.....	24
Fireplace Installation.....	24
Cooling Vent Installation.....	24
Blower Installation.....	24
Facing and Hearth Installation.....	25

ADDITIONAL INFORMATION

DETAILING THE FIREPLACE.....	27
Acid Wash And The Fireplace Xtrordinair.....	27
Installing the Faceplate and Doors.....	28
Door Latch Adjustment.....	30
Installing the Baffle.....	31
INSTALLING A NATURAL GAS LINE.....	32
SAFETY LABEL.....	33

FEATURES AND SPECIFICATIONS

- | | |
|--|--|
| <ul style="list-style-type: none"> • EPA Phase II approved. • Heavy duty steel construction. • Large firebox capacity - 3 cu. ft. • Long burn time - 10 Hours. • Large glass doors for maximum visibility. • Firebrick lining for firebox protection. • 388 CFM blower for convection heat and outside combustion air. • Thermostat for automatic control of the blower. | <ul style="list-style-type: none"> • Gas line sleeve through the left side of the firebox for easy installation of gas log lighter or gas log set. • 8' leads for the power source and the blower. (110 Volts A.C.) • Set-up face that is on fireplace during installation to prevent damage to the decorative faceplate. It is also slightly larger than the decorative faceplate to provide for heat expansion. • 3 blower duct locations for a wide selection of blower installation options. |
|--|--|

Heating Capacity	up to 2500 sq. ft. maximum
Overall Efficiency	73 % (DEQ Method)
Emissions grams/hr	4.1 (EPA Method)
Maximum Burning Time.....	10 Hours
Flue Opening Diameter	8 in.
Overall Width (Not Including Flange).....	42 in.
Overall Depth.....	27 in.
Fuel.....	Solid Wood or Natural Gas
BTU Output/hr	10,300 to 54,700

Emissions, Efficiency, Heating Capacity and Burn Times may vary depending on actual home floor plan, type of fuel used, and moisture content. Emissions and efficiency numbers are those that have been certified by the U.S. E.P.A. and the Oregon Department of Environmental Quality.

PREPARATION FOR ZERO CLEARANCE INSTALLATION

READ THIS ENTIRE MANUAL BEFORE INSTALLING THE NEW FIREPLACE. FAILURE TO FOLLOW INSTRUCTIONS MAY RESULT IN PROPERTY DAMAGE, BODILY INJURY, OR EVEN DEATH.

PACKING LIST:

Your Fireplace Xtrordinair 36A-ZC is packaged with the following items included:

- 36A-ZC Fireplace
- Side Firebrick
- Grate
- Blower Assembly
- Flex Duct – 3' Length, 6" Diameter (For Blower System)
- Start Collar (For Blower System)
- Two (2) 12' Flex Ducts, 6" Diameter (For Cooling Vents)
- Two (2) Vent Hoods (For Cooling Vents)
- Two (2) Vent Hood Storm Collars (For Cooling Vents)

PREPARATION:

1. Remove all tape and packaging.
 2. Remove the wood shipping frame from around and under the fireplace.
 3. Check that no parts have become loose and the fireplace has not been damaged during shipping.
 4. Remove the hardware pack from the fireplace.
 5. **READ THIS INSTALLATION MANUAL BEFORE PROCEEDING.**
- **Fireplace should be located such that no doors, drapes, furniture or other combustibles can be placed close or swing closer than the minimum 36" clearance.**
 - **The fireplace must be installed in a level, secure position.**

REQUIRED HEARTH:

The hearth must have a minimum size of 52" width by 20" depth of non-combustible material. Certain other restrictions and exceptions apply. See the hearth section in the specifications portion of the zero clearance installation instructions.

<u>Chimney Height</u>	Maximum	Minimum
Vertical	35 Feet	15 Feet

Before lifting the fireplace, consider removing some of the interior components to make it lighter. Refer to the section "REPLACEMENT PARTS AND REMOVAL INSTRUCTIONS" in the owner's manual for the proper sequence of removal and replacement of internal components.

ZERO CLEARANCE INSTALLATION - SPECIFICATIONS

READ THIS ENTIRE MANUAL THROUGH BEFORE STARTING TO INSTALL A ZERO CLEARANCE FIREPLACE. THERE ARE CERTAIN SPECIFICATIONS AND MEASUREMENTS THAT MUST BE MET TO ENSURE A PROPER INSTALLATION. FAILURE TO FOLLOW THESE SPECIFICATIONS MAY PRESENT A FIRE HAZARD.

- This fireplace system is safe when installed according to this installation manual. Unless you use components which have been designed and tested for this fireplace system, you may cause a fire hazard.
- The Fireplace Xtordinaire warranty will be voided by, and Travis Industries disclaims any responsibility for, the following actions:
 - a) Modifications of the fireplace components: doors, blower, air inlet systems, damper control, or any other component supplied by Travis Industries.
 - b) Use of any component part not manufactured or approved by Travis Industries in combination with this fireplace system.

IMPORTANT NOTE:

The specifications listed in this section are addressed in separate sections detailing each portion of construction of a zero clearance fireplace (i.e. "Hearth", "Chase Framing", etc...). It is very important to detail the building plans before starting to build. Certain portions of construction, for example the facing, can affect other portions. Read through the entire list of specifications before beginning to detail the building plans. Failure to totally understand this type of construction may result in construction that will have to be torn down and re-built. Travis Industries, Inc. recommends that the installer first read through the specifications and installation instructions thoroughly. Then make a detailed floorplan that includes all measurements of each portion of construction. After completing the detailed floorplan, go through the detailed measurements and make sure they follow the items listed in the specifications listed in this section.

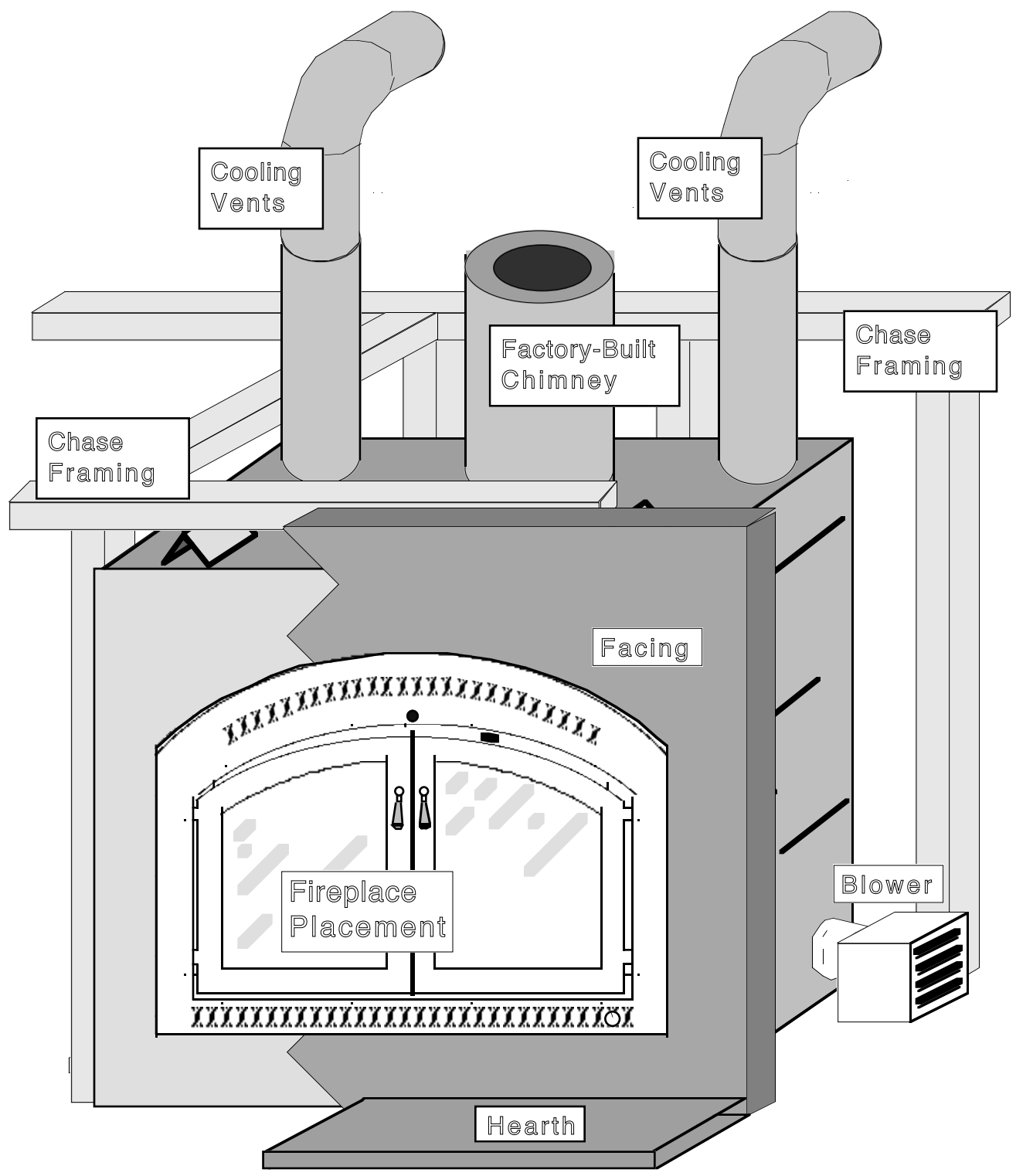
Each portion of construction is listed in its own section that lists its specifications. Below is a chart detailing each portion of construction along with a description that will help give a complete picture of installing a zero clearance fireplace.

<u>PORTION OF CONSTRUCTION</u>	<u>DESCRIPTION</u>
Fireplace Placement	Outlines minimum clearances that the fireplace must have and how to select an ideal location
Chase Framing	Outlines minimum size for the chase that surrounds the fireplace
Facing	Details the types of facing that can be used and how it affects the other portions of construction
Hearth	Outlines the minimum clearances and other considerations that must be met when making the hearth
Cooling Vents	Outlines the specifications for the zero clearance cooling vents
Blower	Addresses the various options for installation of the fireplace blower
Factory-Built Chimney	Outlines the types of factory-built chimneys that can be used and the use of offsets to ensure proper minimum clearance

– SEE THE FOLLOWING PAGE FOR AN ILLUSTRATION –

ZERO CLEARANCE INSTALLATION - SPECIFICATIONS (Cont.)

Each of the following items listed in this illustration have important specifications that must be followed.

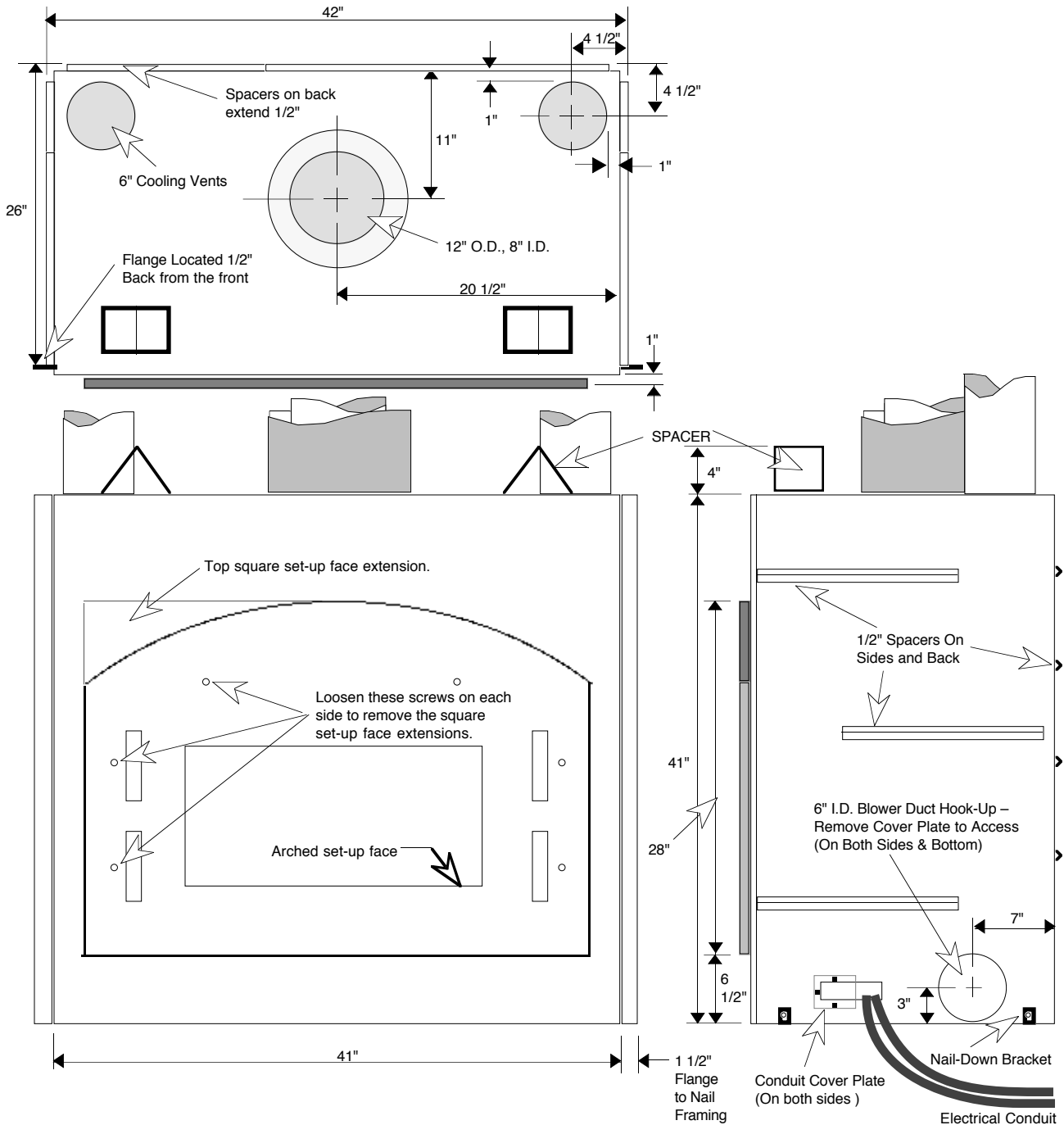


ZERO CLEARANCE INSTALLATION - SPECIFICATIONS (Cont.)

Fireplace Placement

To determine the most efficient location for the fireplace, consider such factors as room traffic, location of doors and windows, and construction above and below the installation area. A location that requires cutting the least number of joists or roof rafters will make the installation easier and reduce the cost. This may mean moving only one or two inches from the selected ideal location.

Dimensions:



ZERO CLEARANCE INSTALLATION - SPECIFICATIONS (Cont.)

Fireplace Placement (Continued)

Determining the exact placement of the fireplace is crucial for construction and safety purposes. Such factors as facing material depth and chimney location factor in to the final location of the fireplace.

The fireplace is shipped with a lifting handle attached to each side. These handles should be used to lift the fireplace into its final position and then removed with a 7/16" wrench.

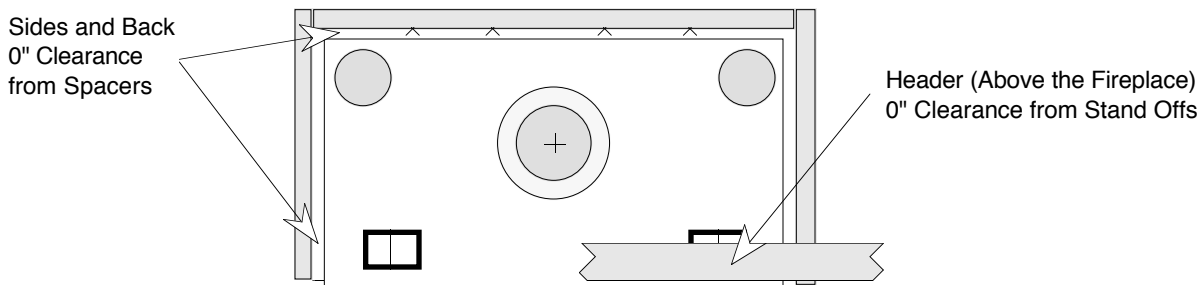
Nail-Down Bracket

The Fireplace Xtordinaire is equipped with a nail-down bracket located near the rear of the unit on each side. The lifting handle that comes attached to the fireplace is attached in the rear to the nail-down bracket. After removing the lifting handle, bend this bracket down 90 degrees so that is flush with the flooring and nail it in place once the location of the fireplace is determined.

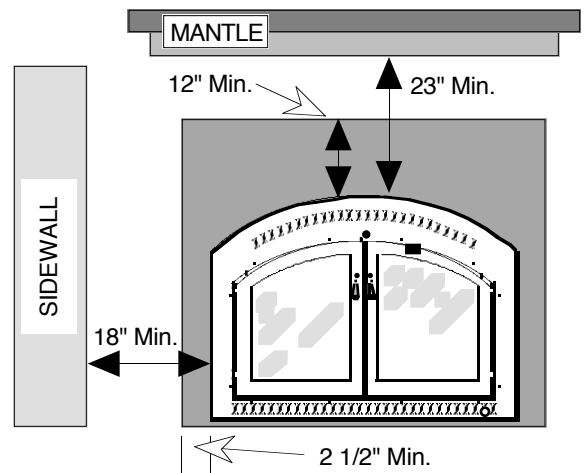
Minimum Clearances

When determining the placement of the fireplace it is also important to calculate the minimum clearance to combustibles. Minimum clearance to combustibles measured from the faceplate of the Fireplace Xtordinaire should meet or exceed:

Sides and Back	0"	To Space Stand Offs
Header	0"	To Stand Off
Chimney	2"	At First Floor Ceiling and Above. In Area Above Fireplace, Maintain 5" to Back, 4 1/2" to Front – See Chimney Specifications.



Mantle	23"	To Edge of Faceplate
Top Facing	12"	To Edge of Faceplate
Side Facing	2 1/2"	To Edge of Faceplate
Adjacent Sidewall	18"	To Edge of Faceplate



The chase framing may safely make direct contact with the spacers on the top of the fireplace. The fireplace may sit directly on a combustible sub-floor. The fireplace faceplate must not be less than 18" from a combustible, perpendicular side wall. A 2" minimum air space clearance between combustible materials and the chimney must be absolutely maintained.

ZERO CLEARANCE INSTALLATION - SPECIFICATIONS (Cont.)

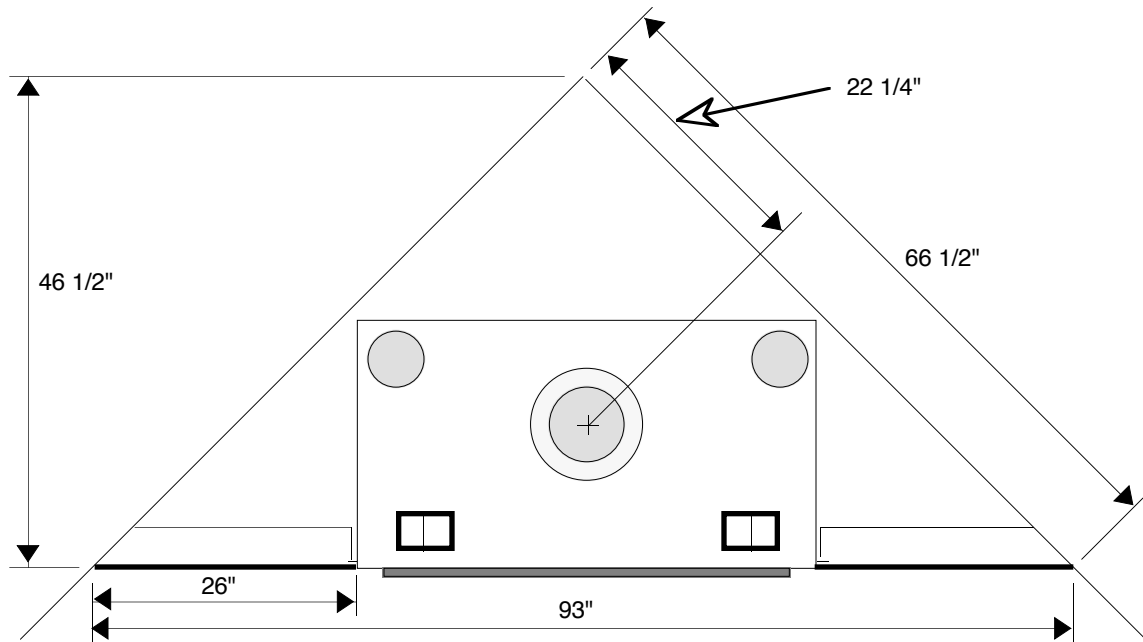
Fireplace Placement (Continued)

Corner Placement

If installing the fireplace into a corner, follow all of the specifications listed in this manual along with the additional specifications listed in the illustration below. These minimum clearances are:

- 26" from edge of zero clearance fireplace to sidewall (Face Wall Total Width = 102")
- 22 1/4" from sidewall to center of chimney pipe
- 46 1/2" from front of faceplate to corner
- 76 1/2" from wall touching faceplate to corner

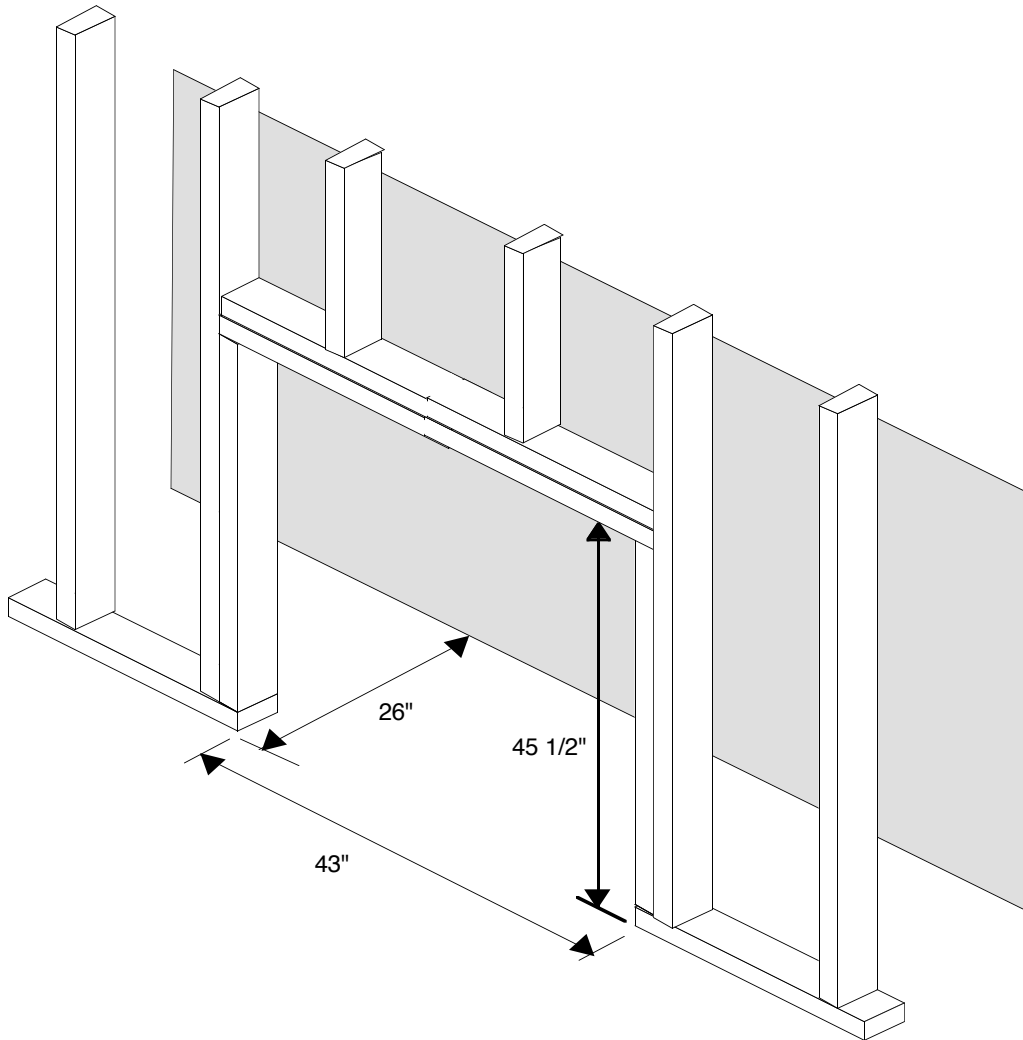
ADDITIONAL SPECIFICATIONS FOR CORNER PLACEMENT



ZERO CLEARANCE INSTALLATION - SPECIFICATIONS (Cont.)

Chase Framing

The next consideration is the chase framing that surrounds the fireplace. The opening must be framed to the dimensions shown in the illustration below for the size of the fireplace being installed. Fireplace Xtrordinair suggests that the framing that is above the fireplace be installed after the fireplace is installed to make the chimney installation easier. Consider installing the fireplace in the desired location and then constructing the framing around it to the proper clearances.



When determining the depth, make sure to adhere to all of the minimum clearances outlined in this manual. Make sure to carefully check all of the specifications and make a detailed sketch outlining all the distances for this construction before beginning. If the chase does not work out to be the desired depth based on the facing material, additional framing may be added to the front of the existing framing to shim the facing to the needed location.

The chase may safely make direct contact with the spacers on the top, rear, and sides of the fireplace.

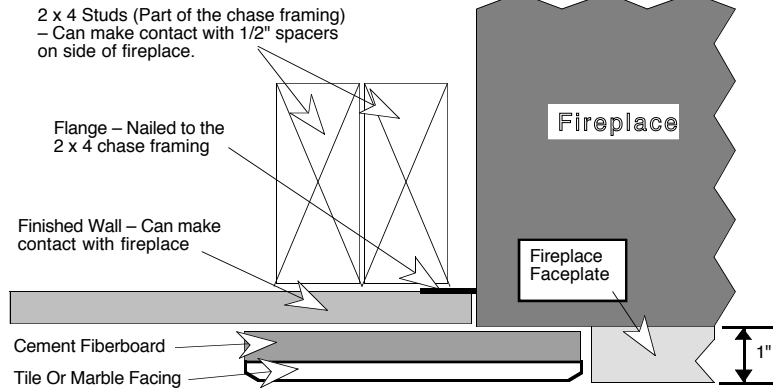
WARNING: DO NOT PACK THE REQUIRED AIR SPACES AROUND THE FIREPLACE OR BETWEEN THE SPACERS WITH INSULATION OR OTHER MATERIALS.

ZERO CLEARANCE INSTALLATION - SPECIFICATIONS (Cont.)

Facing

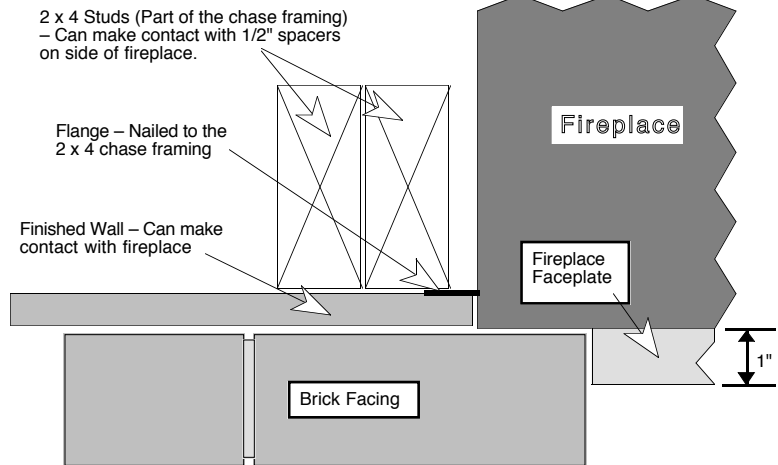
Constructing a quality facing can add extra beauty to the fireplace. It must be made of a non-combustible material such as stone, brick, marble or tile. For thin facing such as marble or tile a cement fiberboard can be used as a backing to attach the facing material to.

TILE OR MARBLE FACING - TOP VIEW



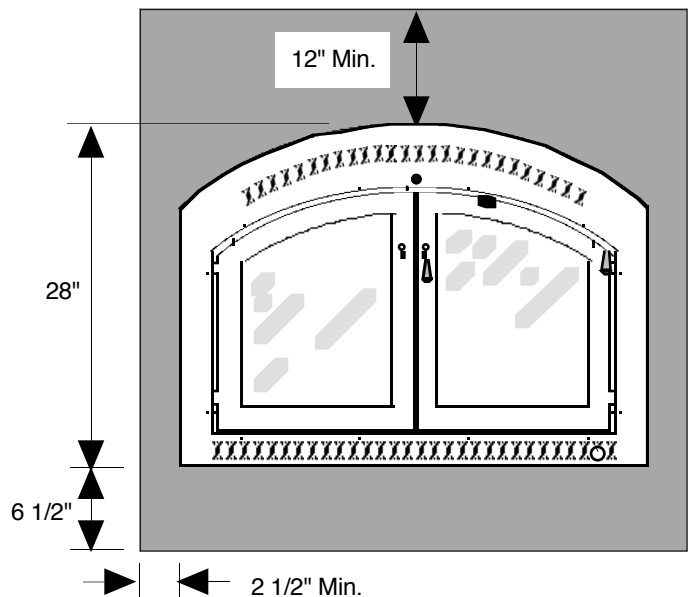
This fireplace has been designed to accommodate many different types of facing. The illustration above shows a tile facing. A stone or brick facing is constructed in much the same way, with the stone or brick replacing the tile and cement fiberboard.

BRICK FACING - TOP VIEW



The non-combustible construction facing must extend a minimum of 12" above the faceplate of the fireplace, 2 1/2" to each side, and be at least 1" of total thickness.

Any combustible material (e.g. molding, finished wall, etc.) that surrounds the facing must not extend more than 3/4" in front of the surface of the facing.



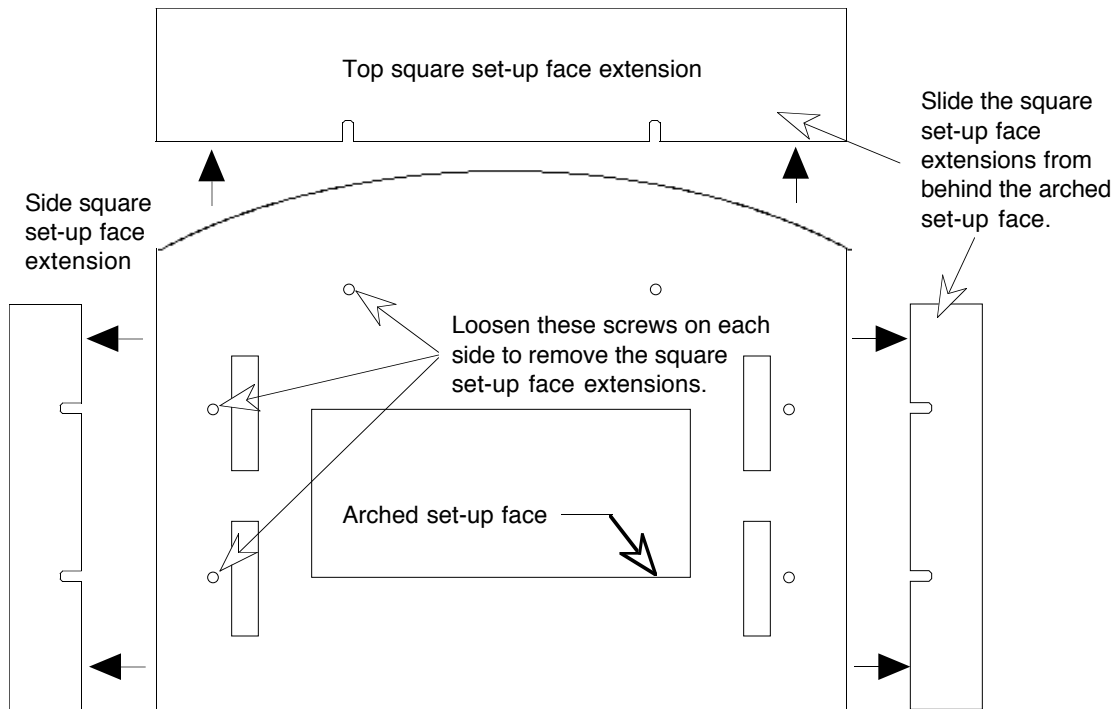
NOTE: The set-up face is identical to the finished face except that it is 1/4" larger on each dimension. Use it as a guide while installing the facing. Do not install facing material over the front of the set-up face. Doing so will prevent the installation of the finished faceplate.

ZERO CLEARANCE INSTALLATION - SPECIFICATIONS (Cont.)

Facing (Continued)

Square or Arched Faceplate

The set-up face shipped with the fireplace is for a square faceplate. To use the arched set-up face, the top and two side pieces of the square set-up face will need to be removed. Loosen the six set-up face screws and pull the three pieces from behind the arched set-up face, then re-tighten the set-up face screws (see the illustration below).

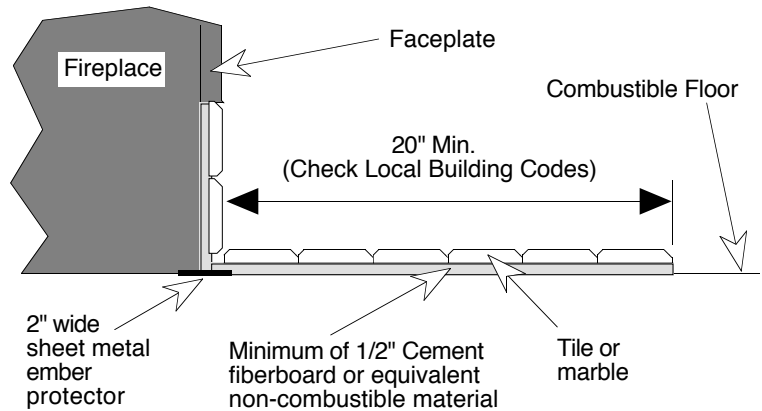


ZERO CLEARANCE INSTALLATION - SPECIFICATIONS (Cont.)

Hearth

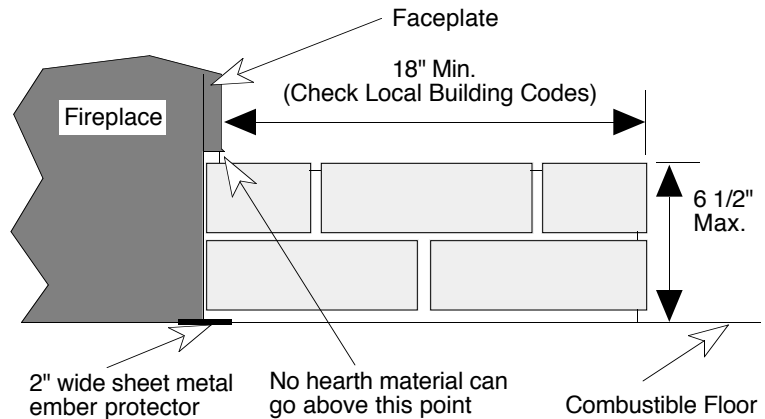
If the fireplace is set on a combustible floor, a hearth extension is required to protect it. It must have a minimum of 1/2" of non-combustible material (1/2" cement fiberboard or equivalent) between the combustible floor and the non-combustible hearth material (tile, marble, etc.). It must extend a minimum of 20" in front of the fireplace and be a minimum of 52" wide. Raised hearth extensions 6 1/2" and greater must have a minimum 18" depth. For raised hearth extensions that go above the bottom of the fireplace to the bottom of the decorative faceplate, non-combustible materials such as brick must be used. See the illustrations below for additional specifications.

FLOOR LEVEL HEARTH

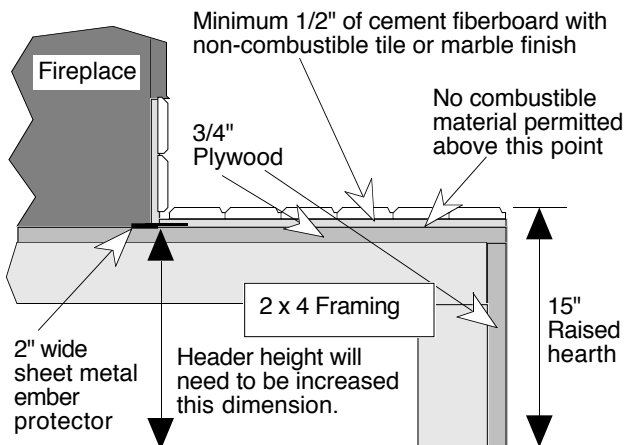


RAISED HEARTH WITH STANDARD BRICK

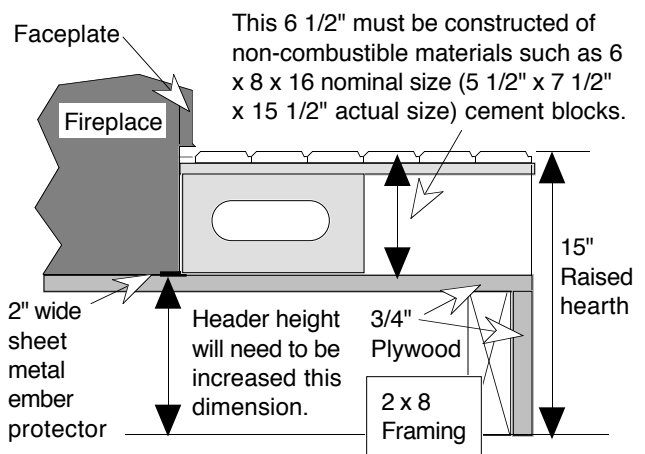
This raised hearth doesn't require any additional header height.



RAISED HEARTH



RAISED HEARTH EXTENDING TO FACEPLATE



ZERO CLEARANCE INSTALLATION - SPECIFICATIONS (Cont.)

Cooling Vents

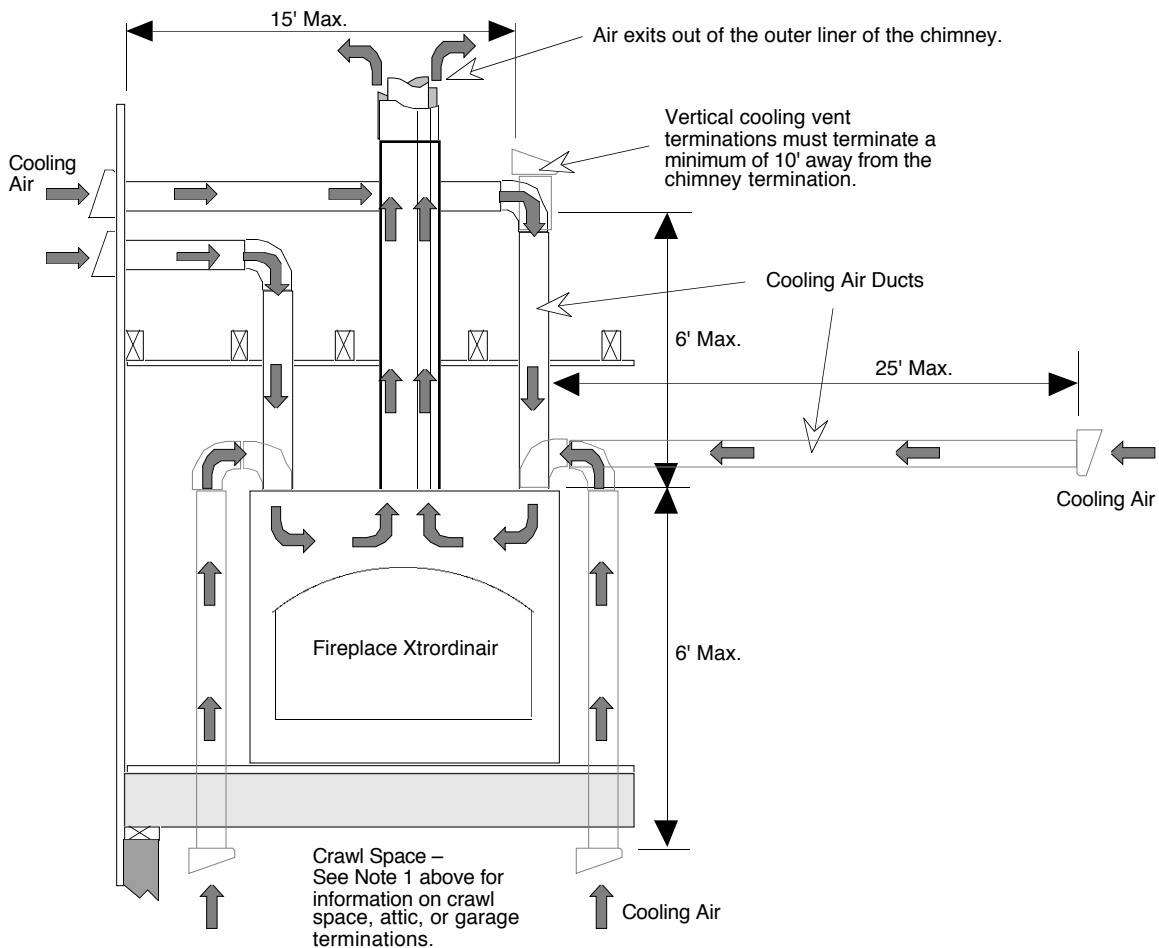
Located on the top rear corners of the fireplace are two 6" diameter air duct collars that must be connected to 6" diameter air ducts that terminate outside. The purpose of these air ducts is to provide cooling air for the zero clearance fireplace and the air cooled chimney system. Air is drawn into the ducts and circulated around the zero clearance fireplace. It then exits through the outer liner of the chimney system, keeping the zero clearance fireplace and chimney enclosure cool. The duct terminations must be located so they can not be accidentally blocked in any manner (i.e. snow drifts). The table below details the maximum horizontal run the duct may travel in relation to its vertical rise (see the illustration below):

When the vertical rise is between:	The maximum horizontal run can be:
6' and 10'	5'
3' and 6'	15'
1' and 3'	20'
0' and 1'	25'

NOTE 1: As an option to drawing air from outside, the cooling air duct terminations can be installed to draw air from a crawl space, attic, or garage. Check with your local building inspections department to determine if this is acceptable in your area. In certain areas this type of installation requires a certain type of duct termination like one with a fire curtain.

NOTE 2: The maximum number of elbows that can be used in the system are two.

WARNING: FAILURE TO VENT SYSTEM PROPERLY COULD CAUSE AN EXTREME FIRE HAZARD.



ZERO CLEARANCE INSTALLATION - SPECIFICATIONS (Cont.)

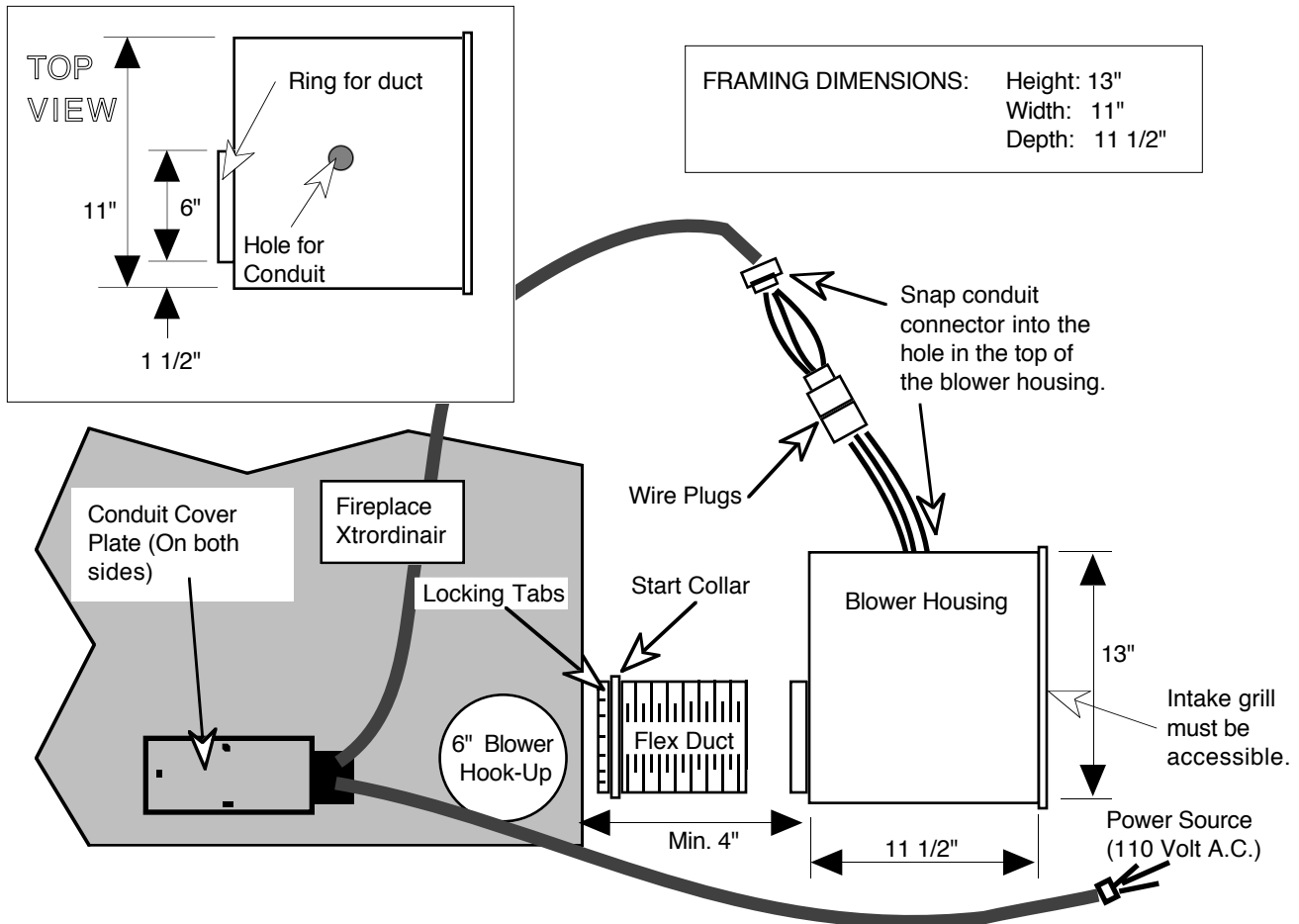
Blower

The blower system on the Fireplace Xtrordinair is located away from the fireplace on an outside wall. It draws air in from outside, circulating it around the fireplace, and delivering it as heated air to the home. This type of blower system will create positive pressure inside the home, reducing cold air infiltration.

Connecting the Blower Duct:

After a location for the fireplace has been determined, the location for the blower housing must be considered. The best location for the blower housing is on an outside wall as close as possible to the fireplace so the 6" blower duct can be easily connected. The maximum length for 6" diameter duct is 15'. If a blower duct run of more than 15' is desired, 8" diameter duct can be used. It can have a maximum distance of 25'. If 8" duct is used there will need to be two 8" to 6" reducers to make the connections to the fireplace and the blower housing. Do not put more than two elbows in the system (regardless of whether 6" or 8" diameter duct is used).

NOTE 1: If the blower is to take air from a crawlspace or attic you must first check with your local building inspections department to confirm that this type of installation is permitted. In some areas this type of installation may require a special type of duct termination like one with a fire curtain.

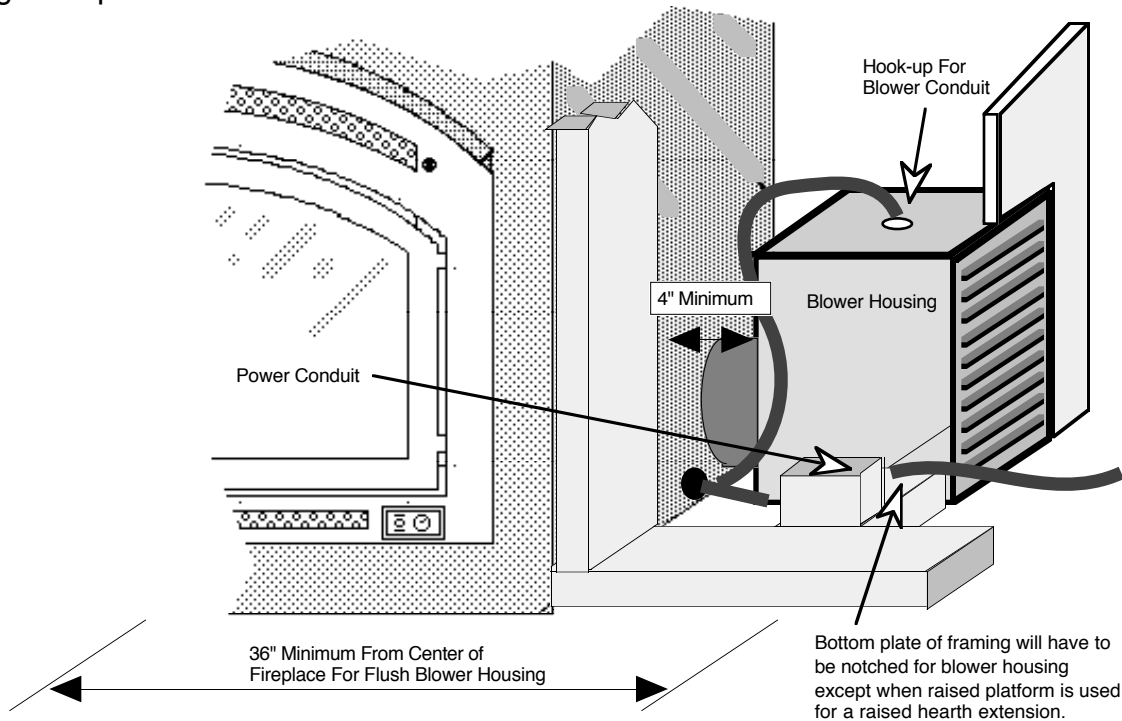


ZERO CLEARANCE INSTALLATION - SPECIFICATIONS (Cont.)

Blower Duct (Continued)

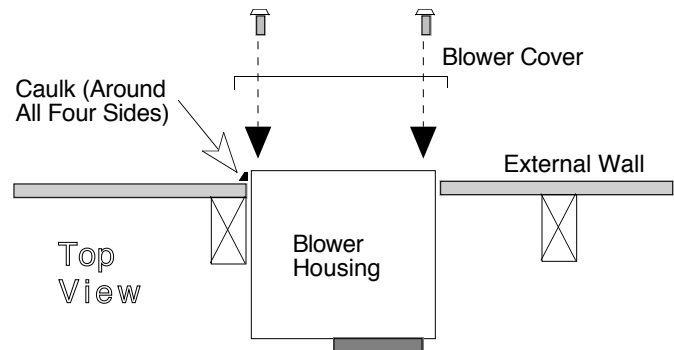
Provided with the fireplace is a start collar with a section of 6" flex duct that can be used as the blower duct. The flex duct connects to the blower housing and the start collar connects to one of the three blower duct hook-ups on the fireplace (right side, left side, and bottom). To connect the blower duct to either of the side hook-ups, remove the cover plate on the side being used, insert the start collar, and bend the locking tabs on the start collar outwards to hold it in place. If the bottom hook-up is chosen, a hole needs to be cut through the floor for the duct to pass through and the damper that directs the air flow inside the fireplace housing needs to be removed before the fireplace is set in place. To remove the damper, first remove the cover plate on the bottom of the fireplace. The damper is directly above this cover plate and can be removed by bending it with pliers until it clears the hole. To attach the blower duct to the bottom hook-up, insert the start collar past the location where the damper was until it reaches the circular hole approximately 6" above the bottom of the fireplace. Insert the start collar into this hole and bend the tabs on the start collar outwards to hold it in place.

If the blower is to be located directly to the side of the fireplace, make sure to allow at least 4" separation. A minimum 36" distance from the center of the fireplace to the face of the blower housing is required. See the illustration below.



Weatherproofing the Blower:

The blower should be weatherproofed if it is located on an external wall. To weatherproof the blower, apply caulk around the perimeter of the blower housing where it contacts the external wall. The blower cover must be removed prior to applying the caulk. Because the blower cover will overlap the caulk, apply the caulk sparingly. See the illustration to the right.



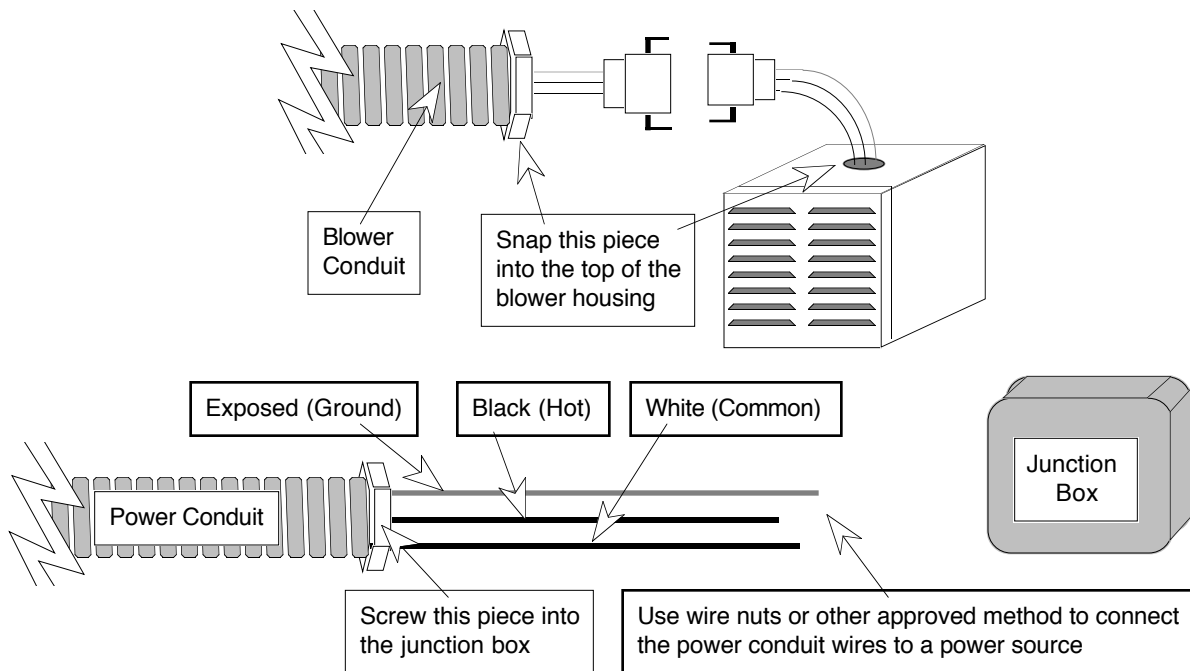
ZERO CLEARANCE INSTALLATION - SPECIFICATIONS (Cont.)

Blower (Continued)

Routing the Conduit:

CAUTION: DO NOT RUN THE CONDUIT OVER THE TOP OF THE FIREPLACE.

During assembly match the plug on the end of the wires coming from the blower conduit with the plug coming from the top of the blower housing (See the drawing below). Then snap the conduit connector into the hole on top of the blower housing. A metal junction box is required between the conduit providing power to the fireplace and the 110 Volt A.C. power source. If the blower is located to the left, or if the power supply is located to the left, the electrical conduit(s) can be run behind the fireplace or fed through the fireplace housing. If the conduit is run behind the fireplace, the framing or chase construction may need to be notched or modified to allow for the extra space needed to run the conduit behind the fireplace. To feed the conduit through the fireplace housing, remove the conduit cover plate on both sides of the fireplace. The right side cover plate provides the additional room needed to feed the conduit through the fireplace housing without kinking the conduit. Take the conduit and feed it through the hole on the right side and out the left side. Make sure to take up all of the slack after pulling it out the left side. Switch the cover plates by attaching the right cover plate to the left side and vice-versa.



ZERO CLEARANCE INSTALLATION - SPECIFICATIONS (Cont.)

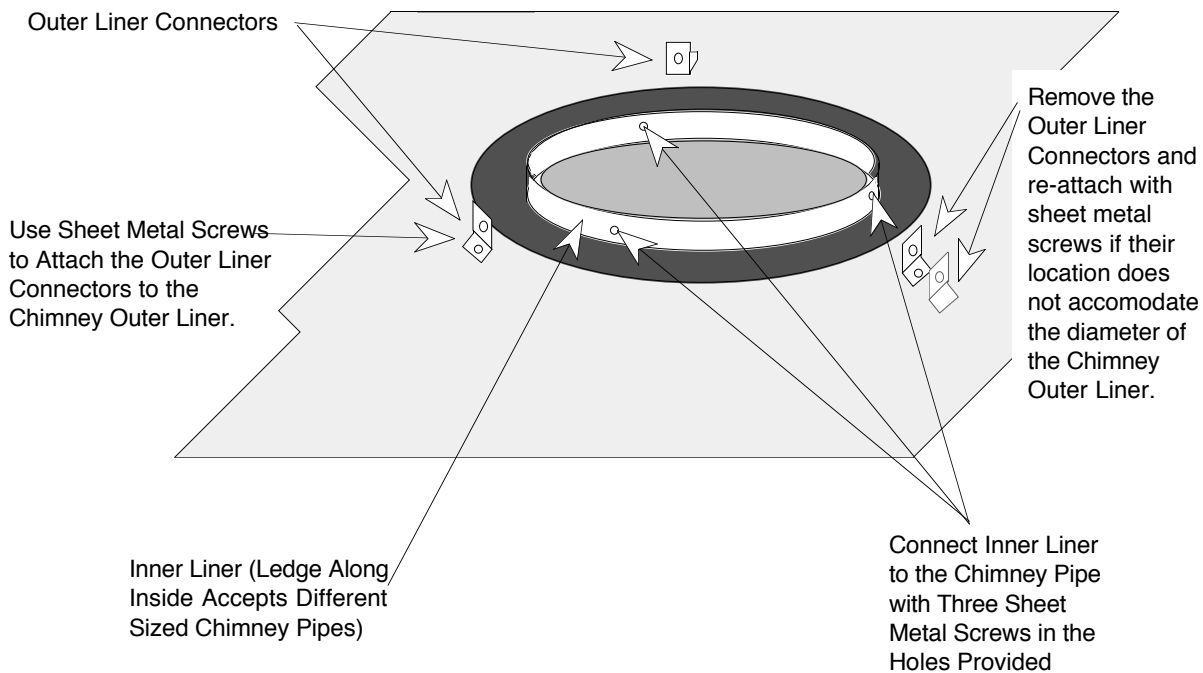
Factory-Built Chimney

The zero clearance installation is designed to be used with a factory-built double-wall chimney. Use only the brands of chimney listed in this section. It is very important to follow the clearance specifications listed in this section. The chimney can be installed at any point after the fireplace position is precisely determined. It is easier to install the chimney in the chase prior to setting the fireplace in position. It can be held up out of the way with a 2 x 4 nailed across the chase.

Connecting the Chimney to the Fireplace

This fireplace is designed to accommodate all of the brands of double-wall chimney listed in this section of the installation manual. To attach the chimney to the fireplace, the fireplace must be in its final position and the chimney connector that attaches to the fireplace must also be ready to be installed.

The fireplace has outer liner connectors and an inner liner that has a ledge along the inside. When attaching the chimney to the fireplace, first slide down the inner liner of the chimney pipe into the inner liner of the fireplace. Certain brands of chimney pipe will stop at the ledge, while others will insert beyond the ledge. When the chimney pipe is fully seated and aligned, drill three holes in the chimney pipe where it lines up with the holes in the fireplace inner liner. Secure the fireplace to the chimney pipe with three sheet metal screws. If there are any large gaps between the chimney pipe and fireplace, use furnace cement to seal (allow 24 hours to dry before burning the fireplace). The outer liner of the chimney pipe attaches to the outer liner connectors. Depending on the chimney pipe diameter, the position of the outer liner connectors may need to be adjusted. Drill holes into the outer liner of the chimney pipe where it lines up with the holes in the connectors. Secure with sheet metal screws. Then secure the outer liner connectors to the top of the fireplace with sheet metal screws if their position has been changed. See the illustration below.

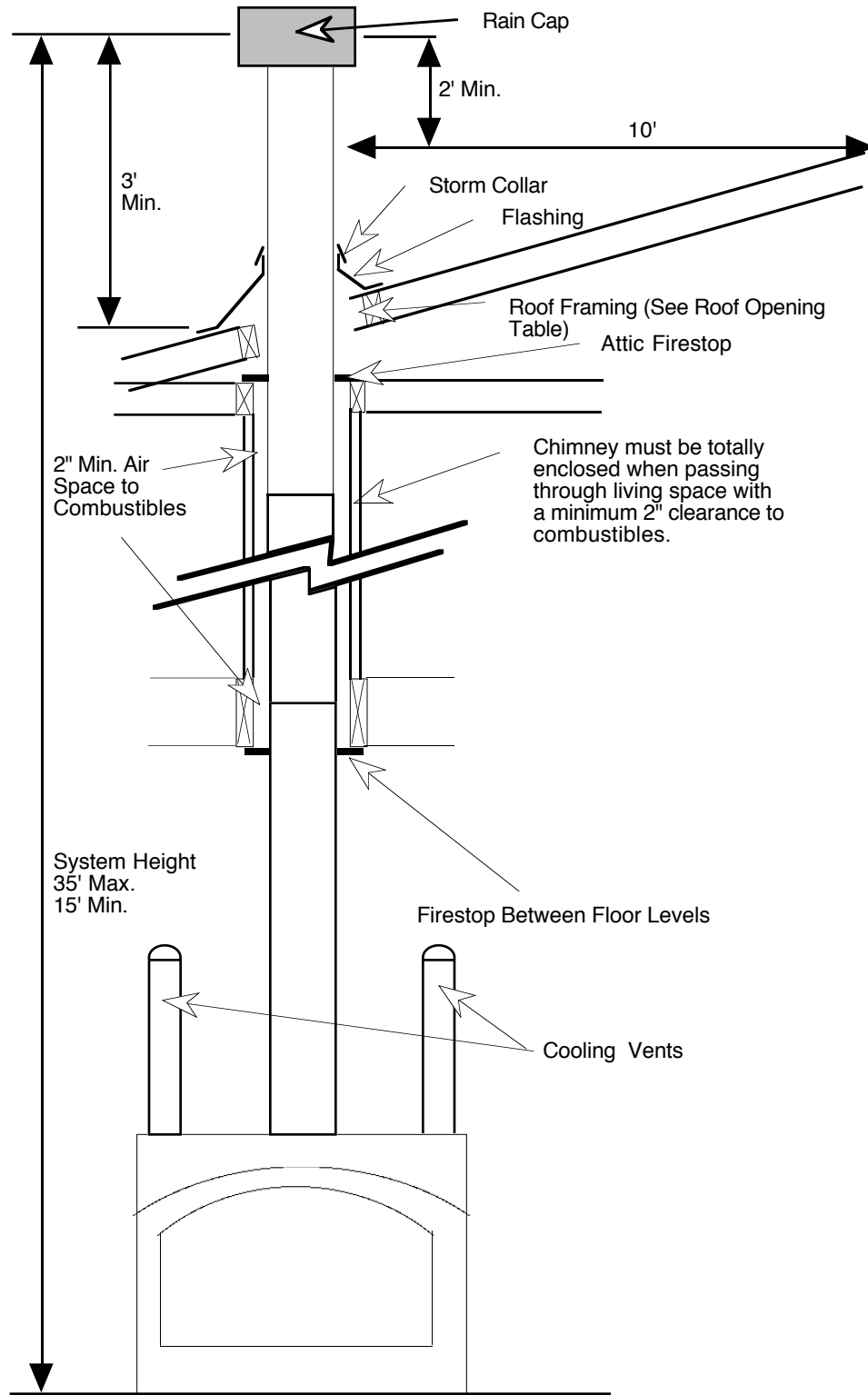


ZERO CLEARANCE INSTALLATION - SPECIFICATIONS (Cont.)

Factory-Built Chimney (Continued)

Chimney Height

The system height, measured from the floor the fireplace sets on to the top of the chimney cap, must not exceed 35' or be below 15'. (See the illustration to the right).



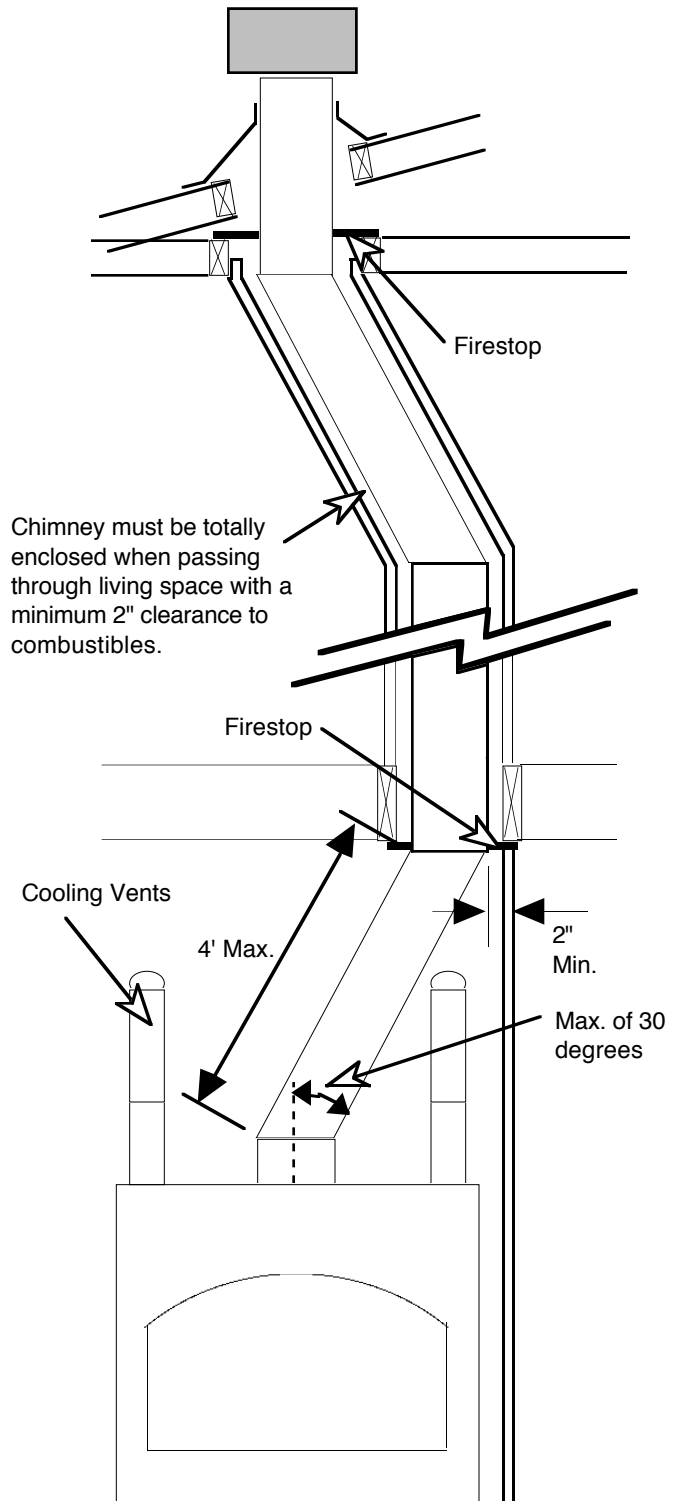
ZERO CLEARANCE INSTALLATION - SPECIFICATIONS (Cont.)

Factory-Built Chimney (Continued)

Using Offsets

Offsets can be used to align the chimney and to gain clearance to combustibles. When using offsets, make sure to follow all of the specifications below.

A system can have no more than a total of 2 offsets (Four 30 degree elbows). Each offset elbow must be used with a return elbow. A system using one offset is allowed to have a maximum of 8' of inclined chimney between the elbows. For every 6' of inclined chimney a flue support is needed (See parts list). For systems incorporating two offsets there is a maximum of 4' allowed between each set of offsets (See the illustration to the right).

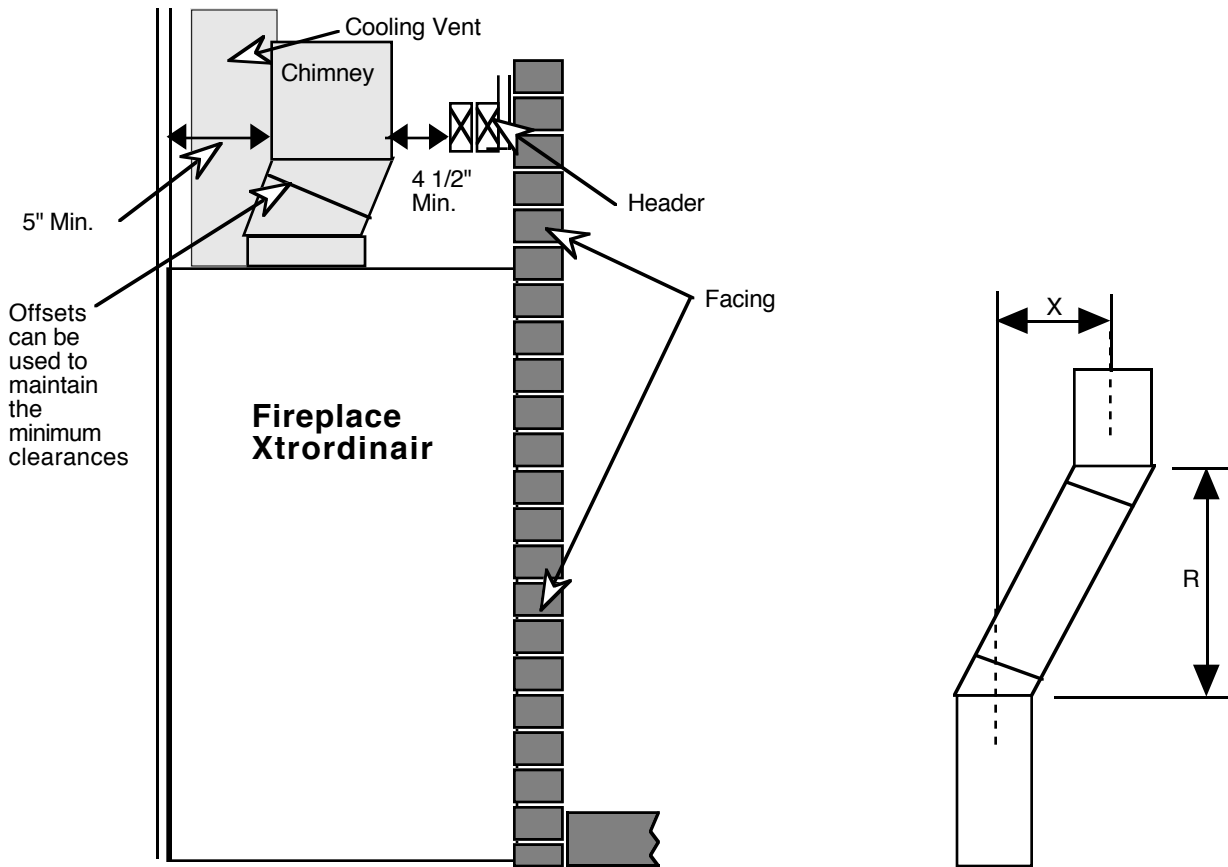


ZERO CLEARANCE INSTALLATION - SPECIFICATIONS (Cont.)

Factory-Built Chimney (Continued)

Using Offsets (Continued)

Elbows may be used directly off the starter sections. In the chase above the fireplace the chimney must maintain a 5" clearance to combustibles on the back wall, 4 1/2" minimum on the front wall and header, and 18" minimum to the side wall for a vertical chimney. After the first firestop a 2" minimum clearance on all sides must be maintained. See the illustration below.



To determine which chimney sections are needed in conjunction with the offset elbows to get the desired offset ("X"), add a section or any combination of sections to the elbows in the "X" column of the chimney brand being used in the chart below. For example, using Temco chimney an offset of 17 5/8" is achieved by adding elbows to a 12" and 18" section ($3\ 7/8" + 5\ 3/8" + 8\ 3/8" = 17\ 5/8"$). The rise ("R") is computed the same way by using the "R" column ($14\ 3/8" + 9\ 1/4" + 14\ 1/2" = 38\ 1/8"$).

MEASURED IN INCHES	Temco 82 Series		Superior TF8		Majestic CF8		FMI 8DM		Marco 8D	
	OFFSET	RISE	OFFSET	RISE	OFFSET	RISE	OFFSET	RISE	OFFSET	RISE
	"X"	"R"	"X"	"R"	"X"	"R"	"X"	"R"	"X"	"R"
Elbows Only	3 7/8	14 3/8	4	15	3	11	4 3/8	16 3/8	5 1/4	19 1/4
Chimney	Add to Elbows	Add to Elbows	Add to Elbows	Add to Elbows	Add to Elbows	Add to Elbows	Add to Elbows	Add to Elbows	Add to Elbows	Add to Elbows
12" Section	5 3/8	9 1/4	5 1/4	9	5 1/4	9	5 3/8	9 1/8	5 1/4	9
18" Section	8 3/8	14 1/2	8 1/4	14 1/4	8 1/4	14 1/4	8 3/8	14 3/8	8 1/4	14 1/2
24" Section	11 3/8	19 5/8	---	---	---	---	---	---	---	---
36" Section	17 3/8	30	17 1/4	30	17 1/4	29 3/4	17 3/8	29 7/8	17 1/4	30 1/4
48" Section	23 3/8	40 3/8	23 1/4	40 1/4	23 1/4	40 1/4	23 3/8	40 1/4	23 1/4	40 1/2
Flue Support	1 1/2	2 3/8	1 1/2	2 1/2	1 1/2	2 3/4	6 3/4	11 3/4	5 1/4	9 1/4

ZERO CLEARANCE INSTALLATION - SPECIFICATIONS (Cont.)

Factory-Built Chimney (Continued)

Factory-Built Chimney Brands Approved for use:

Fireplace Xtordinaire is approved with the use of Temco 82 Series, Superior TF8, FMI 8DM, Marco 8D series, and Majestic CF8 series chimneys (See the table below for part numbers). **All the components used in the chimney system must be from the same model line and manufacturer or supplied by Travis Industries as a component for that chimney system.** The parts list below illustrates the number of chimney parts available for each brand of chimney and their appropriate part number.

Chimney Parts List

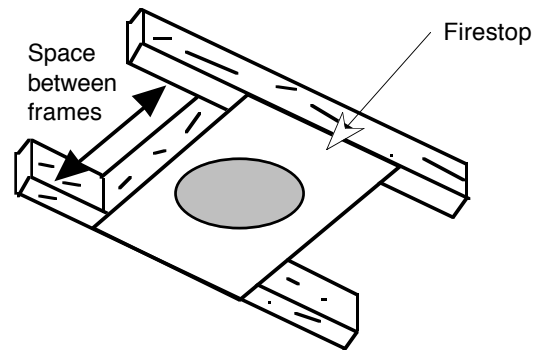
Chimney Components	Temco 82	Superior TF8	FMI 8DM	Marco 8D
12" Chimney Section	8212D	TF8-12	12-8DM	12 - 8D
18" Chimney Section	8218D	TF8-18	18-8DM	18 - 8D
24" Chimney Section	8224D	---	24-8DM	----
36" Chimney Section	8236D	TF8-36	36-8DM	36 - 8D
48" Chimney Section	8248D	TF8-48	48-8DM	48 - 8D
Offsets	8232E	TF8-30, TF8-E30	30E-8DM	30E - 8D
Flashing	8206F	8-F6	6F8 or 12F8	12F - 8D
Chimney Cap	8203D	TF8-CTO	RTL-8HT	BT - 8D
Roof Support	8204S	8-54	38 RS	12CPS - 8D
Firestop Spacer	---	8FS-2	FS-8DM	FS30 - 8D

Clearance to Combustibles:

All chimney systems must have a minimum of 2" clearance to combustible materials measured horizontally. Use offsets if necessary to maintain this clearance (see "Using Offsets" in this section). If the manufacturer specifies a larger clearance, use that clearance.

Firestops:

Every time the chimney penetrates a floor a firestop is needed on the bottom side of the floor joist. When passing through the attic the firestop needs to be on the attic side of the joists (See the illustration to the right). When the chimney passes through a living space it must be totally enclosed with a 2" minimum clearance to combustibles.



The space between frames that hold the firestop in place should be measured as follows:

Temco	16"
Superior	16 1/2"
FMI	16 1/2"
Marco	16 1/2"
Majestic	17 1/2"

Framing for Roof

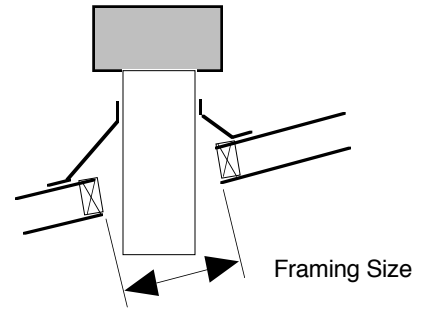
When installing into a sloped roof, it is important to determine the size of the framing. The table on the following page can be used to determine the size of the framing needed to install the corresponding chimney pipe. The numbers on the left represents the pitch of the roof (rise/run). The other columns give the size of the framing for 2 x 4 and 2 x 6 rafters. It may not be necessary to frame around the hole opening if the hole is between the rafters and the minimum clearance to combustibles can be maintained.

ZERO CLEARANCE INSTALLATION - SPECIFICATIONS (Cont.)

Factory-Built Chimney (Continued)

Framing for Roof (Continued)

To determine the appropriate size of the roof opening, use the table below. Notice that the first dimension is the same for every slope listed on the left. This is because the width will always be the same no matter what slope the roof has. The second dimension represents the length along the slanted roof. It is measured along the slope of the roof. The illustration to the right demonstrates the framing size for the second dimension.

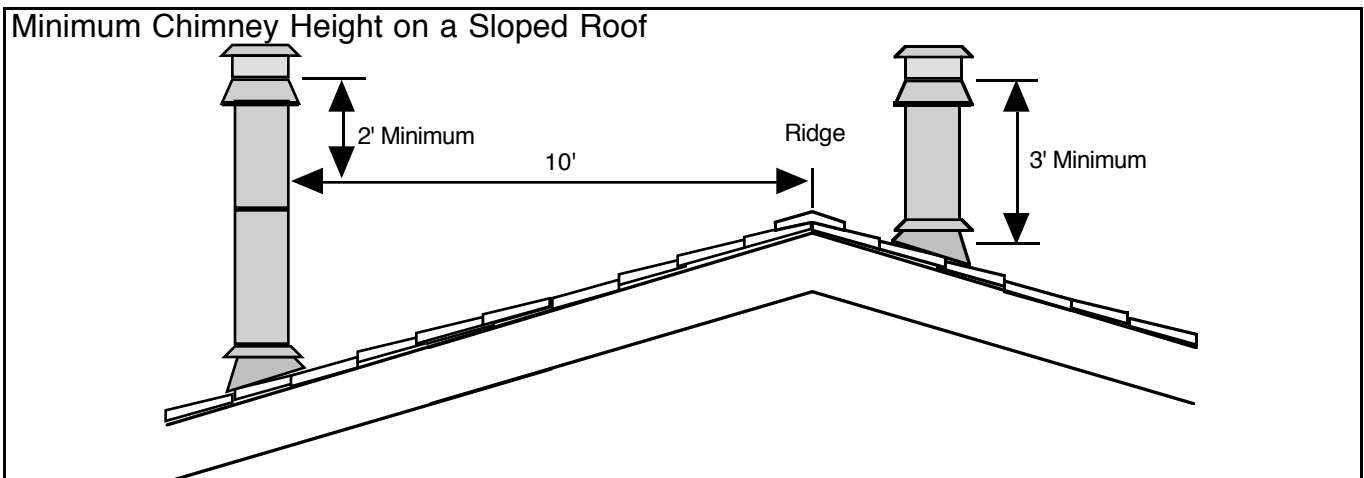


SLOPE	Chimney Type Rafter Size		Chimney Type Rafter Size		Chimney Type Rafter Size	
	Temco		Superior, FMI, or Marco		Majestic	
	2 by 4	2 by 6	2 by 4	2 by 6	2 by 4	2 by 6
0/12	16 x 16	16 x 16	16 1/2 x 16 1/2	16 1/2 x 16 1/2	17 1/2 x 17 1/2	17 1/2 x 17 1/2
1/12	16 x 16 1/2	16 x 16 5/8	16 1/2 x 17	16 1/2 x 17 1/8	17 1/2 x 18	17 1/2 x 18 1/8
2/12	16 x 17	16 x 17 1/4	16 1/2 x 17 1/2	16 1/2 x 17 3/4	17 1/2 x 18 1/2	17 1/2 x 18 3/4
3/12	16 x 17 1/2	16 x 18	16 1/2 x 18	16 1/2 x 18 1/2	17 1/2 x 19	17 1/2 x 19 1/2
4/12	16 x 18 1/4	16 x 18 7/8	16 1/2 x 18 3/4	16 1/2 x 19 3/8	17 1/2 x 19 3/4	17 1/2 x 20 3/8
5/12	16 x 19	16 x 19 1/4	16 1/2 x 19 1/2	16 1/2 x 19 3/4	17 1/2 x 20 1/2	17 1/2 x 20 3/4
6/12	16 x 19 7/8	16 x 20 7/8	16 1/2 x 20 3/8	16 1/2 x 21 3/8	17 1/2 x 21 3/8	17 1/2 x 21 3/8
7/12	16 x 20 3/4	16 x 21 1/2	16 1/2 x 21 1/4	16 1/2 x 22	17 1/2 x 22 1/4	17 1/2 x 23
8/12	16 x 21 3/4	16 x 23	16 1/2 x 22 1/4	16 1/2 x 23 1/2	17 1/2 x 23 1/4	17 1/2 x 24 1/2
9/12	16 x 22 3/4	16 x 24 1/4	16 1/2 x 23 1/4	16 1/2 x 24 3/4	17 1/2 x 24 1/4	17 1/2 x 25 3/4
10/12	16 x 23 3/4	16 x 25 1/2	16 1/2 x 24 1/4	16 1/2 x 26	17 1/2 x 25 1/4	17 1/2 x 27
11/12	16 x 25	16 x 26 3/4	16 1/2 x 25 1/2	16 1/2 x 27 1/4	17 1/2 x 26 1/2	17 1/2 x 28 1/4
12/12	16 x 26 1/8	16 x 28 1/8	16 1/2 x 26 5/8	16 1/2 x 28 5/8	17 1/2 x 27 5/8	17 1/2 x 29 5/8

The 3-Foot, 2-Foot, 10-Foot Rule

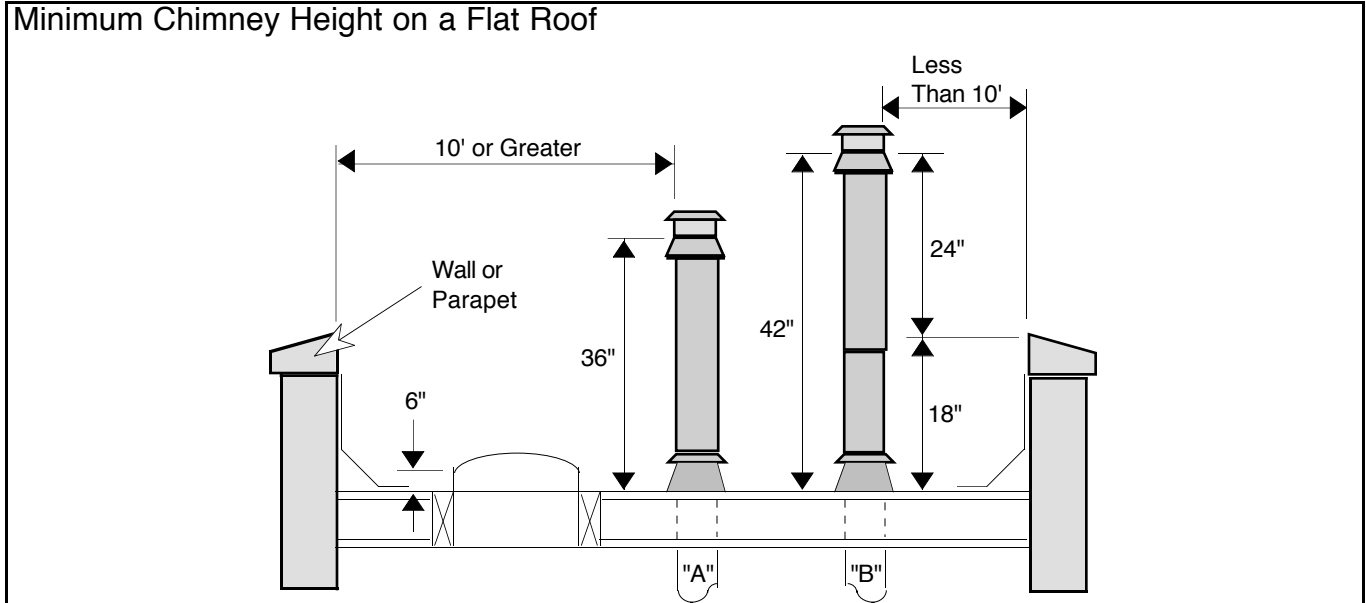
The 3-foot, 2-foot, 10-foot rule applies to the height that the chimney must penetrate above the roof. It states that the chimney must be:

1. At least 3 feet higher than the highest part of the roof opening through which it passes;
 2. And at least 2 feet higher than any part of the roof within 10 feet, measured horizontally.
- A chimney must meet requirement #1 and requirement #2. This rule, required by all building codes, applies to both factory-built and masonry chimneys.



ZERO CLEARANCE INSTALLATION - SPECIFICATIONS (Cont.)

Factory-Built Chimney (Continued)



These minimum chimney heights are required by building codes for safety purposes, to allow time for sparks exiting a chimney to cool before they land on the roof. In some problematic situations, additional chimney height above the specified minimums may be necessary to reduce wind-induced down drafting and back puffing, or to increase draft, thereby improving fireplace operating characteristics.

Depending on the manufacturer and where the chimney is to be installed, special supports, roof assemblies, radiation shields, or locking bands may be supplied as a part of the chimney system. The manufacturer's installation instructions, which are reviewed by the listing agency, specifies when and where each of these components must be used. Follow the manufacturer's instructions for the use of flashing and an adjustable storm collar at the roof line to prevent water from entering the house. Manufacturers require that chimneys extending beyond a certain height above the roof (frequently above 5') must also be braced.

A chimney cap keeps out rain, birds and other animals, and may reduce down drafts. Spark arresters, wire mesh devices designed to catch sparks and burning particles emitted with the smoke, may be included with factory-built chimney caps. These spark arresters may become encrusted with creosote, blocking the proper flow of flue gases out of the chimney. When burning wood, it is recommended that the spark arrester be cleaned regularly, or removed entirely unless individual conditions or local codes require their use.

ZERO CLEARANCE INSTALLATION

READ THIS ENTIRE MANUAL THROUGH BEFORE STARTING TO INSTALL A ZERO CLEARANCE FIREPLACE. THERE ARE CERTAIN SPECIFICATIONS AND MEASUREMENTS LISTED IN THE ZERO CLEARANCE SPECIFICATIONS PORTION OF THIS MANUAL THAT MUST BE MET TO ENSURE A PROPER INSTALLATION. FAILURE TO FOLLOW THESE SPECIFICATIONS MAY PRESENT A FIRE HAZARD.

– Refer to the Illustration on page 26 for more details –

Chase Installation

Following the specifications listed in the section titled "ZERO CLEARANCE INSTALLATION - SPECIFICATIONS", construct the chase following all building codes that may apply. Make sure it adheres to all of the specifications before proceeding.

Factory-Built Chimney Installation

Following the specifications listed in the factory-built chimney portion of "ZERO CLEARANCE INSTALLATION - SPECIFICATIONS", and the manufacturer's instructions, construct the chimney leaving off the last connector until the fireplace is actually put into place. Make sure it aligns with the final position of the fireplace and the starter section of the chimney. It is better to have the chimney system installed before installing the fireplace because it allows more space for installing the chimney. A 2 x 4 nailed across the chase can support the bottom portion of the chimney while the fireplace is being constructed.

Fireplace Installation

Following the specifications listed in the fireplace placement portion of "ZERO CLEARANCE INSTALLATION - SPECIFICATIONS", determine the final location for the fireplace. Set the fireplace directly in front of the opening and slide the unit back until the mounting flanges touch the side framing. Check the level of the fireplace and shim with sheet metal if necessary. A fireplace that is not level will have doors that do not operate correctly. If the fireplace is installed upon a combustible floor a galvanized sheet metal ember protector must be installed between the fireplace and the hearth extension. Secure the fireplace to the framing through the flanges located on the sides of the fireplace with 8 penny nails. Bend the nail-down bracket down 90 degrees so that is flush with the flooring and nail it to the floor.

NOTE: If bottom air is chosen for blower duct, be sure that hole is cut in sub-floor and duct is connected prior to securing the fireplace.

Cooling Vent Installation

Following the specifications listed in the cooling vents portion of "ZERO CLEARANCE INSTALLATION - SPECIFICATIONS", determine the final route for the cooling vents. Construct the two cooling vents using 6" diameter duct. The vents must vent to an outside wall and cannot exceed the maximum distance as outlined in the specifications.

Blower Installation

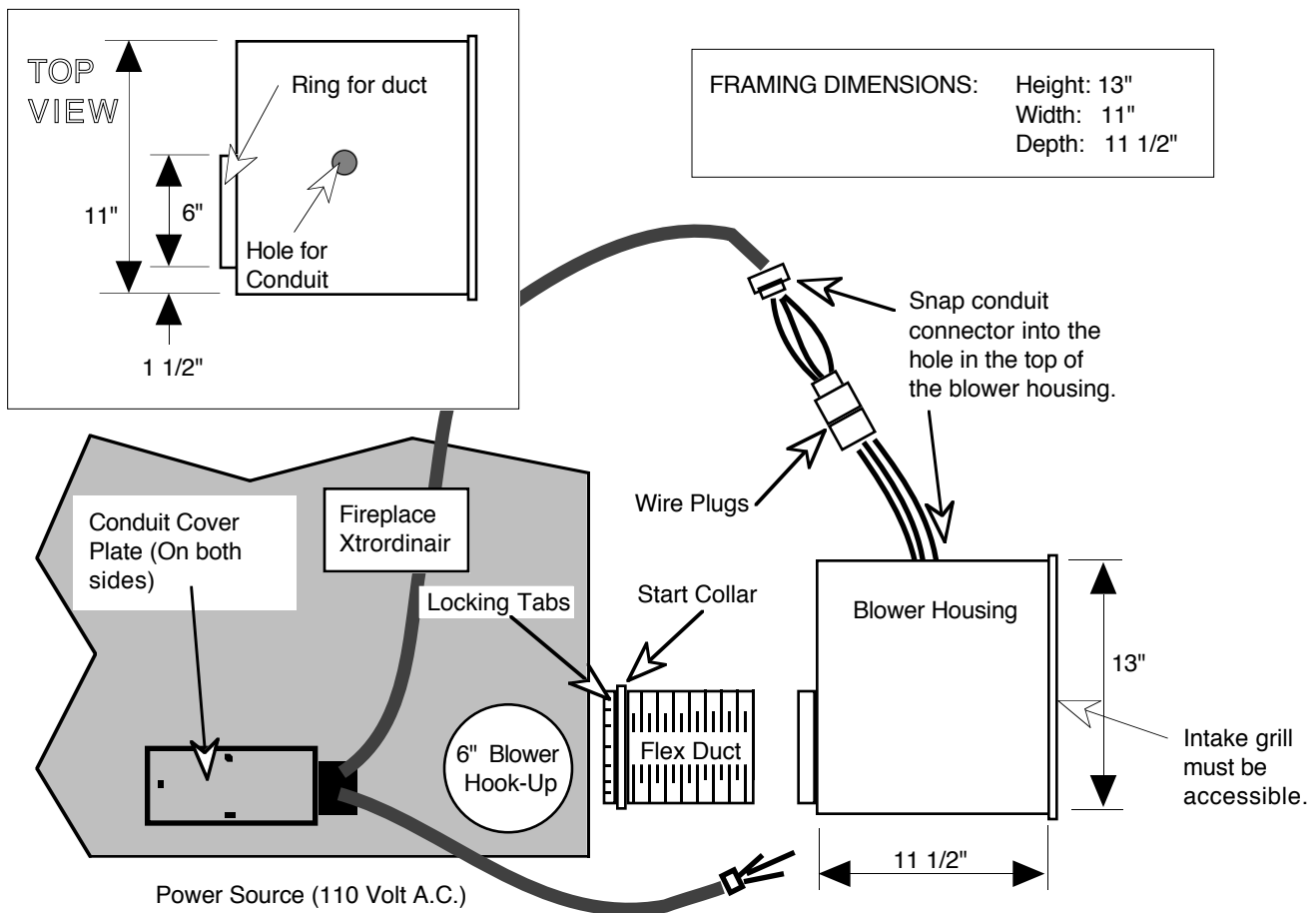
Following the specifications listed in the blower portion of "ZERO CLEARANCE INSTALLATION - SPECIFICATIONS", determine the final location for the blower and place it into position. There are 3 locations provided for installation of the blower system. Choose one of the locations best suited to your installation requirements, remove the cover plate provided in that location and hook up the blower.

ZERO CLEARANCE INSTALLATION (Continued)

Blower Installation (Continued)

Provided with the fireplace is a start collar with a section of 6" flex duct attached. Insert the start collar into the knockout hole, reach through the duct and bend over the tabs to lock the start collar in place. Stretch the flex duct to the collar on the blower housing and fasten in place (6" warm air duct can be used if more duct is needed.). Connect the matching plugs on the end of wires coming from the conduit and the wires coming from the top of the blower housing (See the illustration below). Push the wires and connectors through the hole into the blower housing and snap the snap-in conduit connector into the hole. Take the power conduit and make it accessible to the electrician or hook up to the nearest electrical outlet. CAUTION: DO NOT RUN THE CONDUIT OVER THE TOP OF THE FIREPLACE IF THE LEFT KNOCK-OUT IS USED.

NOTE: For a flush mounted blower housing the enclosure will have to be 33" from the center-line of the fireplace to the outside of the enclosure as shown in the blower portion of the section "ZERO CLEARANCE INSTALLATION - SPECIFICATIONS".

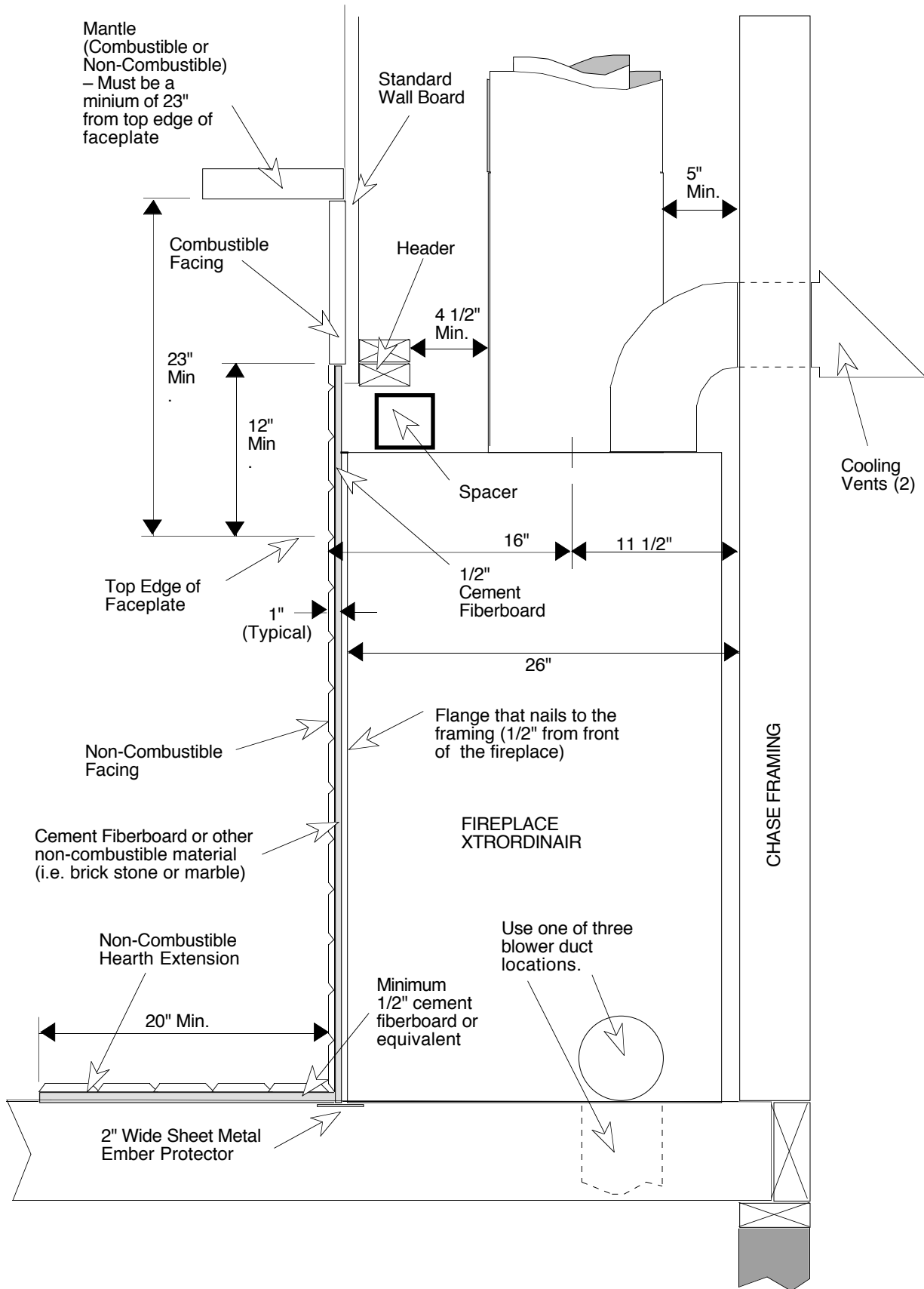


Facing and Hearth Installation

Following the specifications listed in the section titled "ZERO CLEARANCE INSTALLATION - SPECIFICATIONS", construct the facing and hearth following all building codes that may apply. Make sure it adheres to all of the specifications listed. The facing should totally enclose the fireplace into the chase.

ZERO CLEARANCE INSTALLATION (Continued)

INSTALLATION SPECIFICATIONS (See Installation Instructions)



DETAILING THE FIREPLACE

Acid Wash And The Fireplace Xtrordinair

NOTE: IF INSTALLING THE FIREPLACE XTRORDINAIR WITH A BRICK OR STONE FACING, READ THE FOLLOWING WARNING ON ACID WASH:

Gold is the very best available material for plating fireplace fronts, but it is not indestructible. The most common complaint with any plated surface on a wood burning fireplace is discoloration. This can only be caused by heat and chemicals. The discoloration is permanent and cannot be removed without removing the gold plate. The following warning will help keep the shine in the gold plating.

In the past, we have experienced having to re-plate gold faces and/or doors that have been tarnished as a direct result of an acid wash that has been improperly neutralized on masonry fireplaces. It is a universal problem – one we would like to prevent from happening in the future.

This condition occurs when the masonry fireplace is newly constructed and excessive mortar must be removed from the surface of the brick. The mason will use a solution of muriatic acid to remove this mortar and then will wash down the fireplace with a solution of ammonia water to neutralize the acid. If the mason either forgets to wash down the fireplace, or does an inadequate job, muriatic acid will be left in the brick.

Whenever the fireplace is heated enough, either from a fire or from room heat, acid vapors will be released from the brick. These vapors are extremely corrosive and will attack any metal surface in the immediate area of the fireplace. Steel products will show signs of heavy rusting. Brass items will show either a brownish discoloration or in severe cases, a greenish or bluish corrosion very similar to that found on automobile batteries. Gold plated surfaces will develop a cloudy film over the entire surface of the plate. We have seen cases where pictures in the same room have fallen from the wall because the acid vapors had eaten through the wire.

Replacement of the glass door WILL NOT CURE THIS PROBLEM! We have had instances of three different doors installed on a acid hearth fireplace and all three doors were severely damaged by the acid vapors. The correct repair is to have the masonry contractor come out to the house and wash down the entire fireplace face to neutralize this acid condition. If this is a new home, the repair should be covered under warranty by the home builder. If this is an older home, the consumer may have some recourse from the seller.

We stress that this condition is not a defect in the manufacture of the plating, but an acid problem with the brick or stone of the fireplace face.

It is our hope that the above warning will prevent any damage to the gold on the fireplace. To test the brickwork for improper neutralization use a spa or pool test strip which is available at spa and pool stores. Apply one drop of water to the brick and touch the test strip to the brick (Refer to instructions on the packaging when reading the test strip). If the strip shows a high acid content, take steps to properly neutralize the brick.

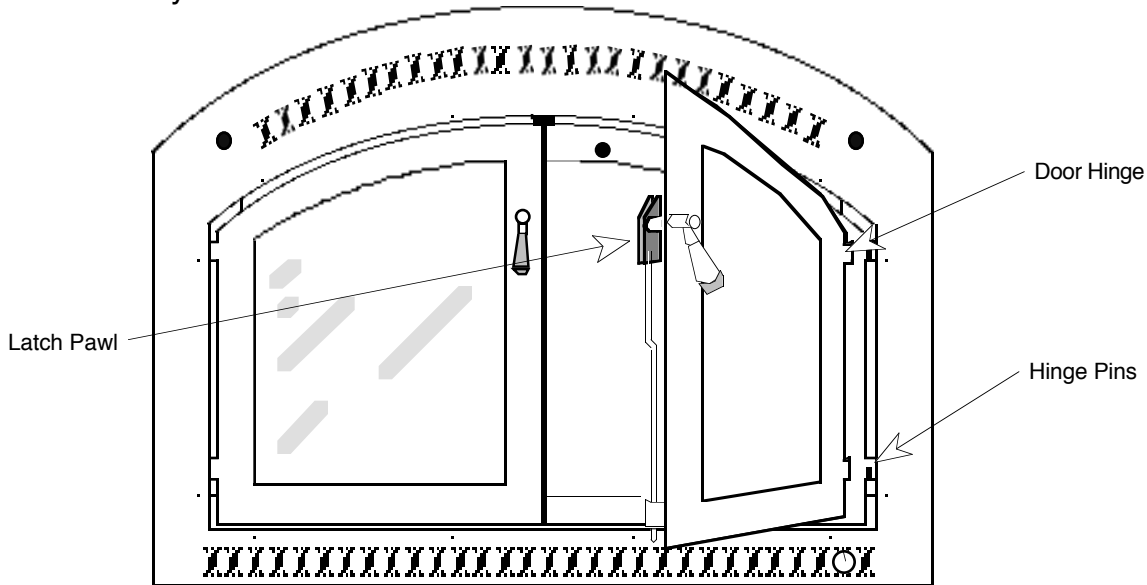
Please be aware that the warranty for the Fireplace Xtrordinair will not cover damage to the plating as a result of an improperly neutralized acid wash.

DETAILING THE FIREPLACE (Continued)

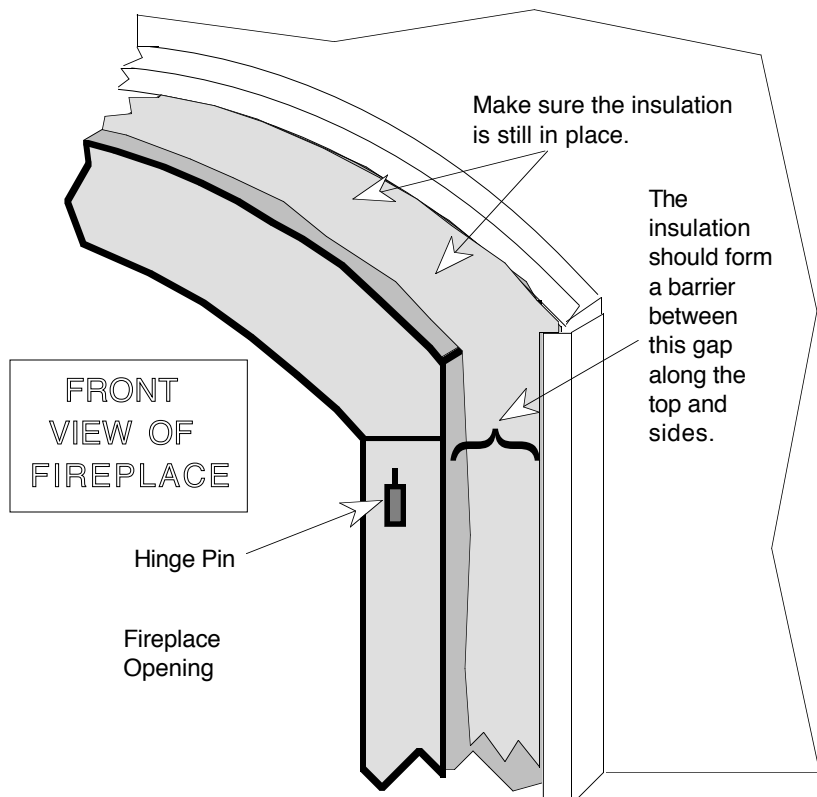
Installing the Faceplate and Doors

After the finished facing has been installed to the proper clearances, it is time to assemble the decorative faceplate and doors to the fireplace. If the decorative face is gold plated, be sure that any brick or face material is acid free. Muriatic acid is commonly used to clean mortar from the surface of brick or stone. This will cause a cloudy film on the gold plated surfaces. The acid must be neutralized (see the section "Acid Wash And The Fireplace Xtrordinair").

1. Open the box containing the faceplate and carefully remove its contents. The box will contain the faceplate, a #3 square driver and a bag containing the screws, switch assembly and knobs.



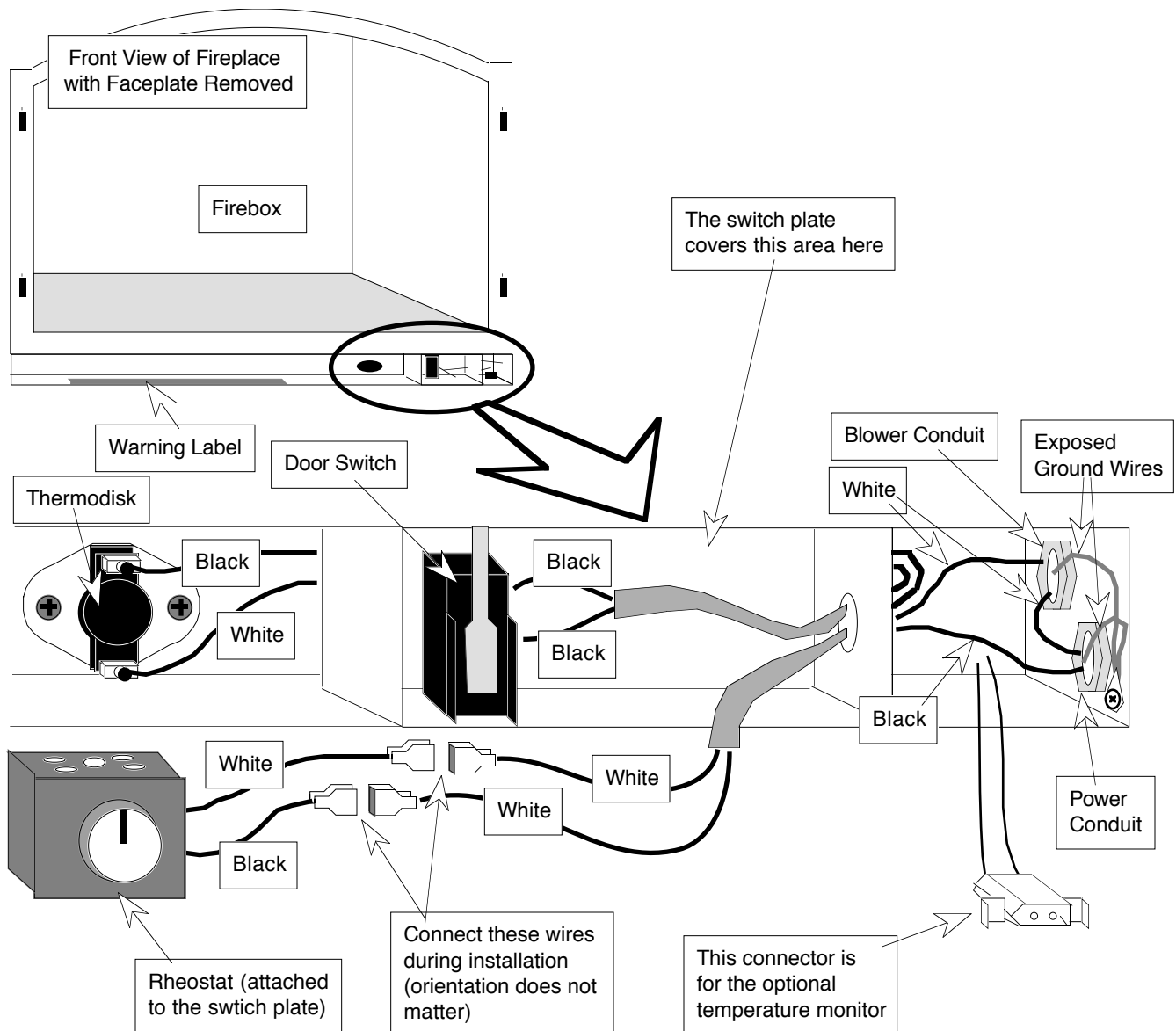
2. Take the #3 square driver and remove the set-up faceplate.
3. Check to make sure the insulation is still in place along the face of the fireplace. The insulation should pinch between the faceplate and the face of the Z.C. unit. Make any adjustments necessary to insure an air seal between the faceplate and the Z.C. can.
4. Put the decorative faceplate in place and pull the switch wires through the switch hole in the lower right corner to keep them from being pinched when the faceplate is tightened up.



DETAILING THE FIREPLACE (Continued)

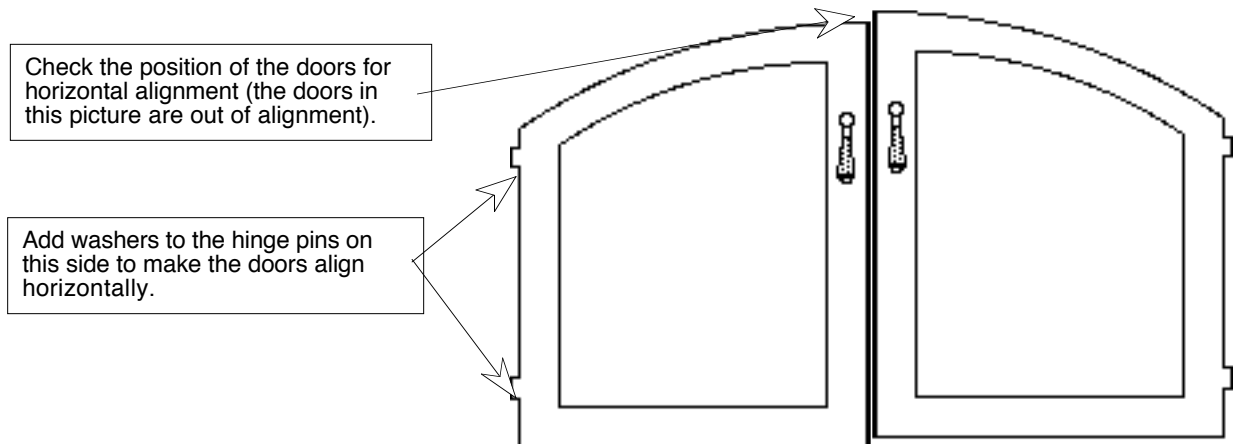
- Put all the screws in a few turns before tightening them up. If a screw starts hard, back it out until a click can be heard, then start it in again. Tighten all the screws.
- The next step is to attach the switch plate and rheostat. Connect the two quick-connects coming from the rheostat to the quick-connects coming from the fireplace (see the illustration below). The orientation of these two wires does not matter. Push all of the excess wire into the space next to the door switch. Attach the switch plate to the faceplate with the two screws included with the switch plate. When tightening the screws, be careful not to pinch the wires.

NOTE: If you wish to test the fan prior to actually starting the stove, the two wires leading to the thermodisk will need to be jumped together. Once those two wires are connected and the door is closed, the fan will come on.



DETAILING THE FIREPLACE (Continued)

- Remove the doors from their packaging and set them on the hinges (see the illustration two pages previous to this one). If the door does not slide down completely, check that the hinge hole is not filled with polishing compound. Use a wire or small drill bit to clean it out if necessary. If the doors are still too tight to slide on completely, hone out the holes that accept the hinge pin. A drop of oil on the hinge pin is recommended once the door is installed.
- Included with the doors is a package containing several washers. These washers are used to shim either door to ensure that the doors line up correctly. Check the position of the doors for horizontal alignment. If they are not aligned, use the washers to shim the hinge pin on the side that is too low. See the illustration below.



WARNING: GOLD PLATED SURFACES CAN ONLY BE CLEANED WITH DENATURED ALCOHOL AND A VERY SOFT CLOTH.

WARNING: KEEP GOLD PLATING FREE OF FINGER PRINTS, HEAT CAN CAUSE THEM TO BECOME PERMANENTLY ETCHED IN THE GOLD PLATING.

Door Latch Adjustment

The door latch must be tested to ensure there is a tight seal between the door gasket and the fireplace. To test the door latch, close the fireplace door and secure the latch. Grasp the right side door handle and pull it back and forth. There should be approximately 1/16" of play. The handle should also be able to be turned all the way down. This movement is due to the door gasket compressing and expanding. If there is more than 1/16" of play, or if the door handle can not be turned down all the way, follow the directions in the following paragraphs to adjust the door.

The door latch is held onto the handle with two nuts (refer to the illustration on the following page). These nuts work in conjunction with three washers to space the latch the appropriate distance away from the door. The closer the latch is to the door, the tighter the latch will hold. The farther away from the door the latch is to the door, the more loose the latch will hold.

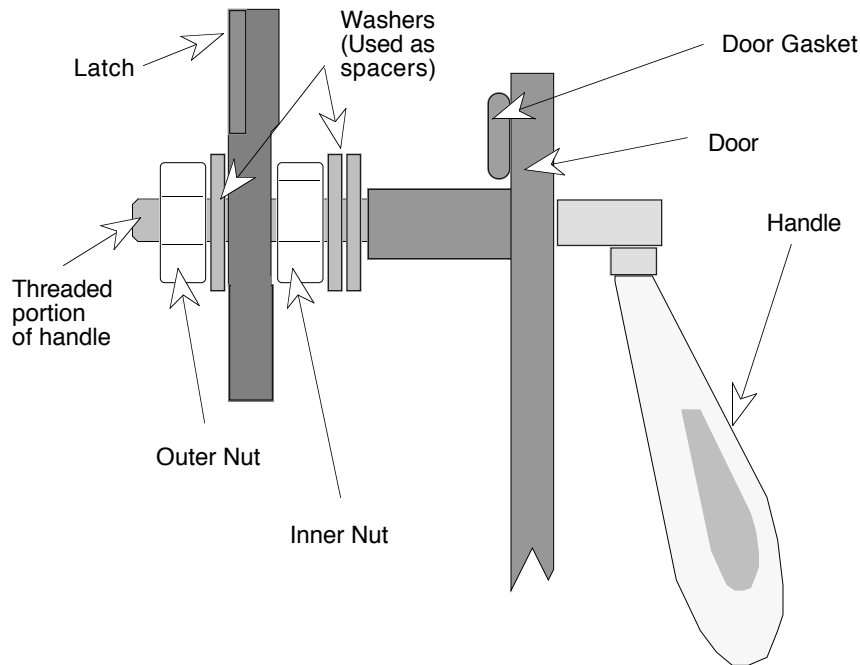
If the door is too loose (it has more than 1/16" of play), the latch needs to be adjusted closer to the door (tightened). To do this, first remove the outer nut, the washer next to it, the latch, the inner nut, and the two washers next to the inner nut. Re-assemble the handle, putting only one of the washers between the door and the inner nut. The inner nut should only be

DETAILING THE FIREPLACE (Continued)

Door Latch Adjustment (Continued)

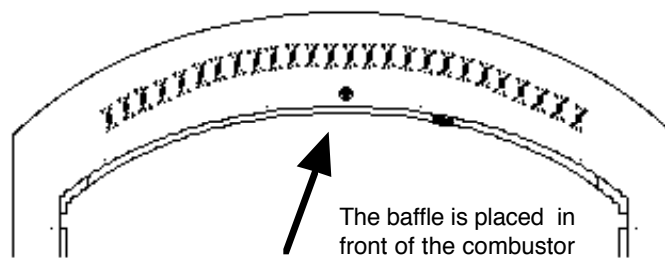
tightened slightly, over-tightening will prevent the handle from turning. Put the other two washers between the latch and the nut farther away from the door. This will tighten the latch by approximately 1/16". To make minor adjustments, loosen the outer nut, then turn the inner nut until the desired distance is obtained. Then tighten the outer nut against the inner nut, making sure the inner nut does not turn by holding it in place with an open-end wrench.

If the door is too tight (the handle can not be turned down all the way), the latch needs to be adjusted away from the door. To do this, first remove the outer nut, the washer next to it, and the latch. Then loosen the inner nut approximately 1/2 turn. Re-assemble the items that were removed, making sure to line the latch up correctly with the flat side of the threaded shaft. Test the door to see if door handle can be turned down all the way. If it still needs adjustment, remove both of the nuts, the latch, and the washers. Re-assemble the handle, this time putting all three of the washers between the door and the inner nut. This will loosen the latch a significant amount. To make minor adjustments, loosen the outer nut, then turn the inner nut until the desired distance is obtained. Then tighten the outer nut against the inner nut, making sure the inner nut does not turn by holding it in place with an open-end wrench.



Installing the Baffle

The baffle is shipped on the floor of the firebox and will need to be placed in its proper position. Place the baffle along the roof of the firebox in front of the combustor. The front of the baffle rests on two tabs while the back rests on a support along the roof of the firebox.

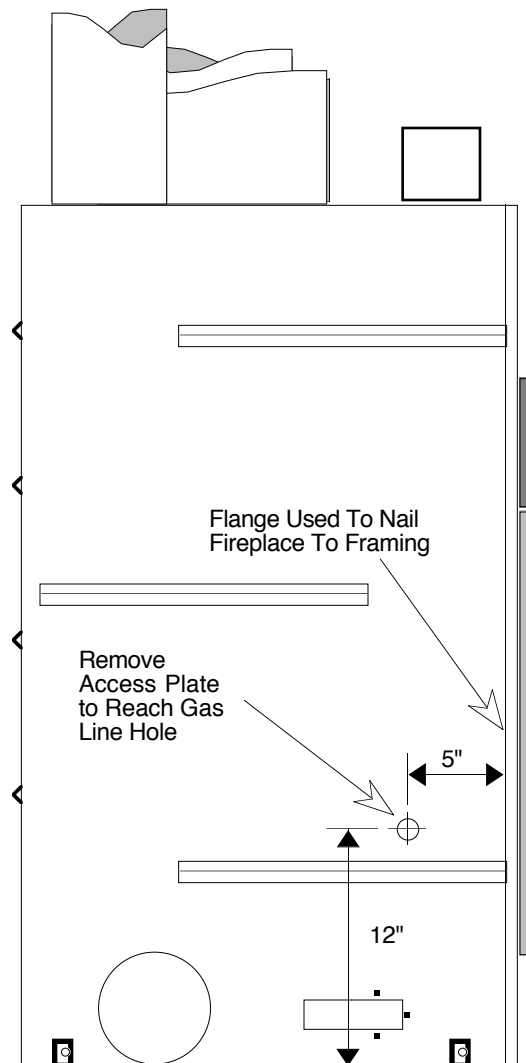


INSTALLING A NATURAL GAS LINE

All Fireplace Xtrordinair products are designed to accept a 1/2" gas line. The gas line should be installed by a qualified plumber in accordance with all building codes. The gas connection may enter from the left side only. The gas line must be installed in accordance with the National Fuel Gas Code ANSI A223.1-1984 or local codes that may have jurisdiction. When installing a gas line, an approved shut-off valve must be installed outside the fireplace.

To install the gas line, remove the brick on the left inside of the fireplace that has the hole provided for the gas line to pass through. This will expose a snap in plug that will need to be removed by prying off with a flat screw driver. Pull out the insulation that is in the hole, replace the brick, and slide a 1/2" by 12" pipe nipple through the holes. Pack the insulation around the gas pipe where it passes into the firebox. Check with the local building codes to see if the pipe nipple will need to be galvanized pipe when passing through masonry on a light weight block-in or masonry install of the fireplace. Finish the installation by either capping the gas line inside the fireplace or by installing a listed gas log lighter or log set in accordance with its installation instructions. Use a pipe compound approved for use with natural gas on all joints.


Location of Gas Line Hole



CAUTION: WHEN USING A LOG LIGHTER OR GAS LOG SET, THE FIREPLACE BY-PASS AND COMBUSTION AIR CONTROL MUST BE IN THE FULLY OPEN POSITION. THE FIREPLACE DOORS MAY BE IN THE OPEN OR CLOSED POSITION. IF THE FIREPLACE DOORS ARE OPEN WHILE IN OPERATION, A WIRE MESH SCREEN MUST BE INSTALLED IN THE DOOR OPENING. FOLLOW THE OPERATING INSTRUCTIONS SUPPLIED BY THE LOG LIGHTER OR LOG SET MANUFACTURER.


SAFETY LABEL

The following is a copy of the safety label that is attached to the fireplace.

Warnock Hersey
 LISTED FACTORY BUILT FIREPLACE
 FIREPLACE XTRODINAIR
 TESTED TO: UL-127, UL 1482

SERIAL NO.
 MODEL NO. 44A-ZC 36A-ZC
 REPORT NO. 6377 (FEBRUARY 92)

INSTALL AND USE ONLY IN ACCORDANCE WITH THE MANUFACTURER'S INSTALLATION AND OPERATING INSTRUCTIONS. CONTACT LOCAL BUILDING OR FIRE OFFICIALS ABOUT RESTRICTIONS AND INSTALLATION INSPECTION IN YOUR AREA. DO NOT CONNECT THIS UNIT TO A CHIMNEY SERVING ANOTHER APPLIANCE.

Manufactured By:  **Travis Industries, Inc.**
 10850 117th Pl. N.E. Kirkland, WA 98033

MINIMUM CLEARANCES TO COMBUSTIBLES:

SIDES AND BACK	0"	TO SPACE STAND OFFS
HEADER	0"	TO STAND OFF
CHIMNEY	2"	AT FIRST FLOOR CEILING AND ABOVE.
		IN AREA ABOVE FIREPLACE, MAINTAIN 5" TO BACK, 5.5" TO FRONT AND 18.5" CLEARANCE TO SIDES OF VERTICAL CHIMNEY.
MANTLE	23"	TO EDGE OF FACEPLATE
TOP FACING	12"	TO EDGE OF FACEPLATE
SIDE FACING	2.5"	TO EDGE OF FACEPLATE
ADJACENT SIDEWALL	18"	TO EDGE OF FACEPLATE

OPERATE ONLY WITH FEED DOORS CLOSED. OPEN TO FEED FIRE ONLY.
 FOR USE WITH SOLID WOOD FUEL.
 USE ONLY SUPPLIED GRATE.

COMPONENTS REQUIRED FOR INSTALLATION:
 TWIN COOLING AIR INLET DUCTS.
 ONE OF THE FOLLOWING LISTED FIREPLACE COMPONENT CHIMNEY SYSTEMS:
 (COMPLETE WITH COMPONENTS AS SPECIFIED IN TRAVIS INDUSTRIES IN STRUCTION MANUAL)

MARCO MODEL 793000 SERIES	TEMCO MODEL 82 SERIES	
MAJESTIC CF8 SERIES	SUPERIOR MODEL TF-8	FMI MODEL 8 HT

CHIMNEY LIMITATIONS:

MINIMUM SYSTEM HEIGHT	15 FT
MAXIMUM SYSTEM HEIGHT	35 FT
MAXIMUM OFFSET LENGTH	
1 OFFSET	8 FT
2 OFFSETS	4 FT PER OFFSET
MAXIMUM OFFSET ANGLE	30°
MAXIMUM NUMBER OF ELBOWS	4

OPTIONAL COMPONENT: CONVECTION FAN SYSTEM

U.S. ENVIRONMENTAL PROTECTION AGENCY
 Certified to comply with July 1990 particulate emission standards.

This wood heater contains a catalytic combustor, which needs periodic inspection and replacement for proper operation. Consult owner's manual for further information. It is against the law to operate this wood heater in a manner inconsistent with operating instructions in the owner's manual, or if the catalytic element is deactivated or removed.

DATE OF MANUFACTURE

1992	1993	1994	Jan.	Feb.	Mar.	Apr.	May	June	July	Aug.	Sept.	Oct.	Nov.	Dec.
<input type="checkbox"/>	<input type="checkbox"/>	<input type="checkbox"/>	<input type="checkbox"/>	<input type="checkbox"/>	<input type="checkbox"/>	<input type="checkbox"/>	<input type="checkbox"/>	<input type="checkbox"/>	<input type="checkbox"/>	<input type="checkbox"/>	<input type="checkbox"/>	<input type="checkbox"/>	<input type="checkbox"/>	<input type="checkbox"/>

DO NOT REMOVE THIS LABEL Made in U.S.A.