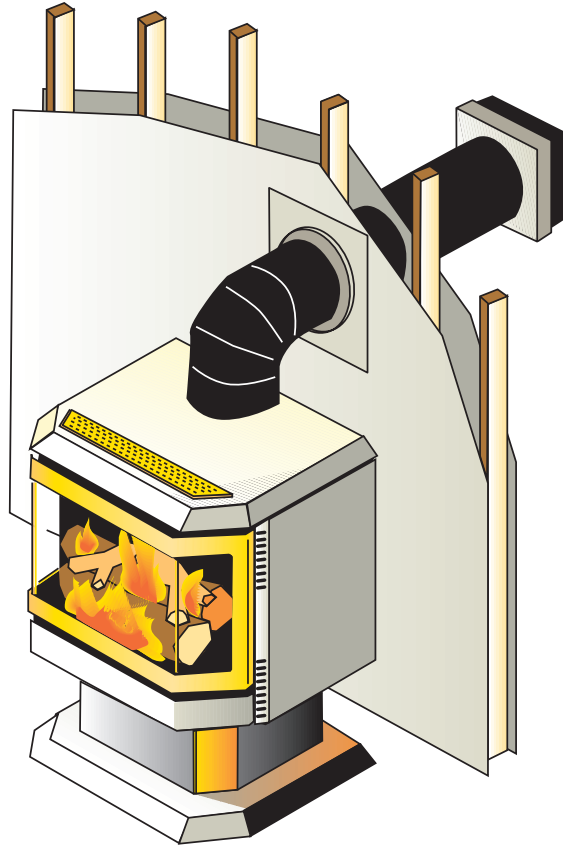


AVANTI

By Avalon



Direct Vent Heater

- HORIZONTAL or VERTICAL VENT
- MOBILE HOME APPROVED
- CLASS A CHIMNEY RETROFIT



WARNING: Improper installation, adjustment, alteration, service or maintenance can cause injury or property damage. Refer to this manual. For assistance or additional information consult a qualified installer, service agency, or the gas supplier.

- Do not store or use gasoline or other flammable vapors and liquids in the vicinity of this or any other appliance.
- Installation must be performed by a qualified installer, service agency or the gas supplier

IF YOU SMELL GAS

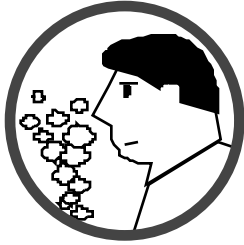
- Do not try to light any appliance.
- Do not touch any electrical switch; do not use any phone in your building.
- Immediately call gas supplier from a neighbor's phone. Follow the gas supplier's instructions.
- If you cannot reach your gas supplier, call the fire department.

AVANTI DV

- September, 1995 -

Installer: After installation give this manual to the homeowner and explain operation of this heater.

 **Travis Industries, Inc.**
10850 117th Place N.E. Kirkland, WA 98033

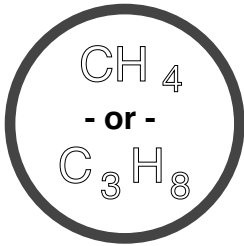


IF YOU SMELL GAS:

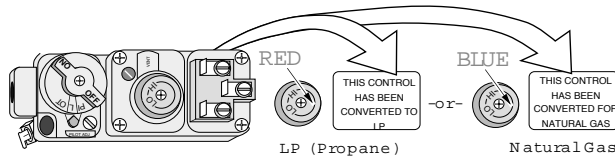
- * **Do not light any appliance**
- * **Extinguish any open flame**
- * **Do not touch any electrical switch or plug or unplug anything**
- * **Open windows and vacate building**
- * **Call gas supplier from neighbor's house, if not reached, call fire department**



- This unit must be installed by a qualified installer to prevent the possibility of an explosion. Your dealer will know the requirements in your area and can inform you of those people considered qualified. The room stove should be inspected before use and at least annually by a qualified service person. More frequent cleaning may be required due to excessive lint from carpeting, bedding material, etc.
- The instructions in this manual must be strictly adhered to. Do not use makeshift methods or compromise in the installation. Improper installation will void the warranty and safety listing.



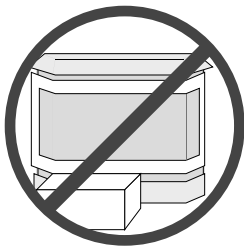
- This stove is either approved for natural gas (NG) or for propane (LP). Burning the incorrect fuel will void the warranty and safety listing and may cause an extreme safety hazard. Direct questions about the type of fuel used to your dealer. Check the label and flame adjust knob on the gas control valve.



- Contact your local building officials to obtain a permit and information on any installation restrictions or inspection requirements in your area. Notify your insurance company of this stove as well.



- If the flame becomes sooty, dark orange in color, or extremely tall, do not operate the stove. Call your dealer and arrange for proper servicing.



- It is imperative that control compartments, screens, or circulating air passageways of the stove be kept clean and free of obstructions. These areas provide the air necessary for safe operation.



- Do not operate the stove if it is not operating properly in any fashion or if you are uncertain. Call your dealer for a full explanation of your stove and what to expect.



- Do not store or use gasoline or other flammable liquids in the vicinity of this stove.
- Keep all furniture or other combustible items at least 36" away from the front of the stove.



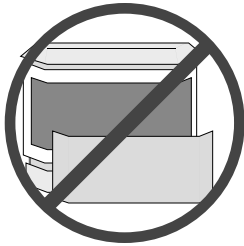
- Do not operate if any portion of the stove was submerged in water or if any corrosion occurs.



- Do not place clothing or other flammable items on or near the stove. Because this stove can be controlled by a thermostat there is a possibility of the stove turning on and igniting any items placed on or near it.



- Light the stove using the built-in piezo igniter. Do not use matches or any other external device to light your stove.



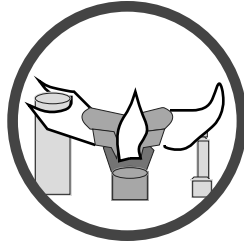
- The viewing glass should be opened for service only (see the maintenance section of this manual).
- Any safety screen or guard removed for servicing must be replaced prior to operating the stove.



- Never remove, replace, modify or substitute any part of the stove unless instructions are given in this manual. All other work must be done by a trained technician. Don't modify or replace orifices.



- Operate the stove according to the instructions included in this manual.
- If the main burners do not start correctly turn the gas off at the gas control valve and call your dealer for service.



- Allow the stove to cool before carrying out any maintenance or cleaning.

- The pilot flame must contact the thermopile, thermocouple and deflect off the pilot hood when turned on. If it does not, turn the gas control valve to "OFF" and call your dealer.



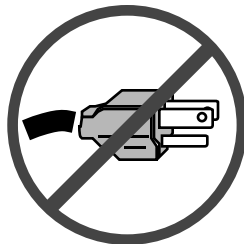
- This unit is not for use with solid fuel
- Do not place anything inside the firebox (except the included fiber logs).
- If the fiber logs become damaged, replace with Travis Industries log set.



- Do not throw this manual away. This manual has important operating and maintenance instructions that you will need at a later time. Always follow the instructions in this manual.

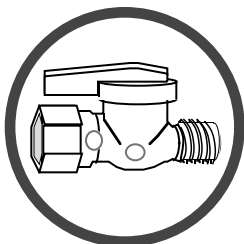


- Do not touch the hot surfaces of the stove. Educate all children of the danger of a high-temperature stove. Young children should be supervised when they are in the same room as the stove.

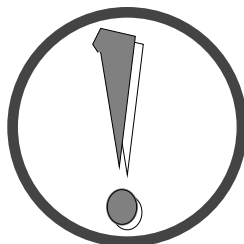


- Plug the stove into a 115 V. grounded electrical. Do not use an adapter plug or remove the grounding plug.

- Don't route the electrical cord in front of or over the stove



- Instruct everyone in the house how to shut gas off to the appliance and at the gas main shutoff valve. The gas main shutoff valve is usually next to the gas meter or propane tank and requires a wrench to shut off.



- **Travis Industries, Inc. grants no warranty, implied or stated, for the installation or maintenance of your stove, and assumes no responsibility of any consequential damage(s).**

Introduction & Important Information

Introduction & Important Information 1

Safety Precautions

Safety Precautions..... 2

Features & Specifications

Installation Options 5
 Features..... 5
 Heating Specifications 5
 Dimensions 5
 Fuel..... 5
 Emissions..... 5
 Electrical Specifications 5

Installation

Installation Preparation 6
 Items Required for Installation 6
 Items Packed with the Avanti DV 6
 Items Packed with the Stove Shell 6
 Items Packed with the Pedestal..... 6
 Order of Installation 6
 Door Removal 6
 Pedestal Attachment 7
 Stove Shell Assembly..... 7
 Gas Inlet Installation 10
 Floor Protection Requirements..... 11
 Stove Placement Requirements 11
 Alcoves 11
 Minimum Clearances..... 11
 Gas Line Installation 12
 Fuel..... 12
 Gas Line Connection..... 12
 Gas Inlet Pressure..... 12
 Manifold Pressure..... 12
 Vent Requirements..... 13
 Approved Vent Configurations..... 14
 Restrictor Position..... 14
 Elbows..... 15
 How to Measure Vent Lengths 15
 Vertical Terminations with No Elbows 16
 Vertical Term. with Two 45° Elbows 16
 Horizontal Termination (one 90° elbow) . 17
 Vertical Term. with Two 90° Elbows 18
 Horizontal Vent Termination Requirements... 19
 Vertical Vent Termination Requirements 19
 Electrical Connection 19
 Glass Removal 20

Installation (Continued)

Installing the Logs and Coals..... 21
 Installing the Glass 22
 Leak, Pilot, and Flame Testing 22

Operating Your Stove

Before You Begin..... 24
 Location of Controls..... 24
 Starting The Pilot Flame 25
 Starting the Stove for the First Time 26
 Turning the Stove On and Off 26
 Adjusting the Flame Height..... 26
 Adjusting the Blower Speed..... 27
 Normal Operating Sounds 27

Maintaining Your Stove

Maintaining Your Stove's Appearance..... 28
 Cleaning Your Stove 28
 Yearly Service Procedure 28

Troubleshooting

Troubleshooting Table 29
 How this Stove Works 30
 What Turns the Main Burners On & Off.. 30
 What Prevents Gas Buildup..... 30
 Why Nothing Should Be Placed
 Against the Stove 31
 Wiring Diagram 31
 Replacement Parts List..... 31

Warranty

Warranty 32

Listing Information

Safety Label..... 33

Optional Equipment

Propane (LP) Burner Pan 34
 Remote Control..... 35
 Thermostat..... 36
 Gold Trim Kit 36

Addendum

Altitude Considerations 37
 Class A Chimney Conversion Kit..... 37

Index

Index 38

Symbols Used in this Manual

The illustration below details what the symbols used along the left margin indicate.



Installation Options:

- Residential or Mobile Home
- Straight or Corner Placement
- Bedroom Approved
- Alcove Approved
- Vertical or Horizontal Vent
- Approved for use in homes of unusually tight construction

Features:

- Works During Power Outages (standing pilot)
- High Efficiency; 81.5% Natural Gas, 83.3% LP (Steady State)
- Optional Thermostat or Remote Control
- Realistic "Wood Fire" Look
- Convenient Operating Controls
- Variable-Rate Heat Output
- Quiet Blower for Effective Heat Distribution
- Low Maintenance

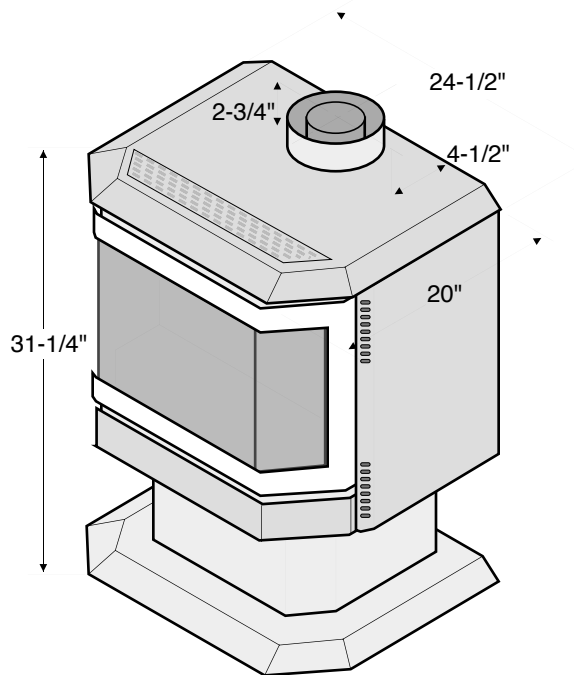
Heating Specifications:

	Natural Gas	LP (Propane)
Approximate Heating Capacity (in square feet)*	600 - 1600	600 - 1600
High Burn Input Rate (In BTU's)	31,000	31,000
Low Burn Input Rate (In BTU's)	18,000	17,000
Efficiency**	81.5%	83.3%
AFUE (Annual Fuel Utilization Efficiency)	72.6%	74.2%

* Heating capacity will vary with the home's floor plan and insulation, natural gas or Propane BTU rating, and outside temperature.

** Efficiency rating is a product of thermal efficiency rating determined under continuous operation independent of installed system. To measure the net BTU's, multiply the BTU input by the efficiency percentage (81.5% for natural gas, 83.3% for LP).

Dimensions



Fuel:

The stove is designed either for natural gas or for propane. Check the sticker on the top of the gas control valve.

Emissions:

This unit has passed the ANSI emission standards for vented room stoves as tested by Warnock Hersey, LTD.

Electrical Specifications:

115 Volts, 1.3 Amps, 60 Hz (150 watts on high)

Installation Preparation

- ! This appliance must be installed in accordance with all local codes, if any; if not, follow ANSI Z223.1 and the requirements listed in this manual. Failure to follow all of the requirements may result in property damage, bodily injury, or even death.
- ! When installed in a mobile home, this appliance must be installed in accordance with the Manufactured Home Construction and Safety Standard, Title 24 CFR, Part 3280, or if not applicable, the Standard for Manufactured Home Installations (ANSI A225.1--1984).
- ! Notify your insurance company before hooking up this stove.
- ! The requirements listed below are divided into sections. All requirements must be met simultaneously. The order of installation is not rigid – the qualified installer should follow the procedure best suited for the installation.

Items Required for Installation

- Avanti Stove Shell (Black #99200320, Almond #99200321, Green #99200322)
- Avanti Pedestal (Part # 99200115)
- Simpson Duravent with Silicone (see page 13 for part #'s)
- Gas Hookup Equipment

Items Packed with the Avanti DV

- Avanti DV (with gold door)
- Log Set (2 Logs, 2 Twigs, Coals)
- On/Off Switch (wired to the stove)
- Owner's Manual
- Gas Inlet Pipe (3/8" dia.)

Items Packed with the Stove Shell

- Top, Left, Right, and Rear Stove Panels
- Control Cover
- Black Grill
- Eight 10-32 Hex Nuts with Attached Lock Washers
- Two 10-24 Pan Head Screws
- Fourteen 10-24 Self-Tapping Screws
- Nine U-Nuts
- Two 6" strips of self-adhesive gasket
- Gas Line Plate
- Left & Right Forward Mounting Brackets

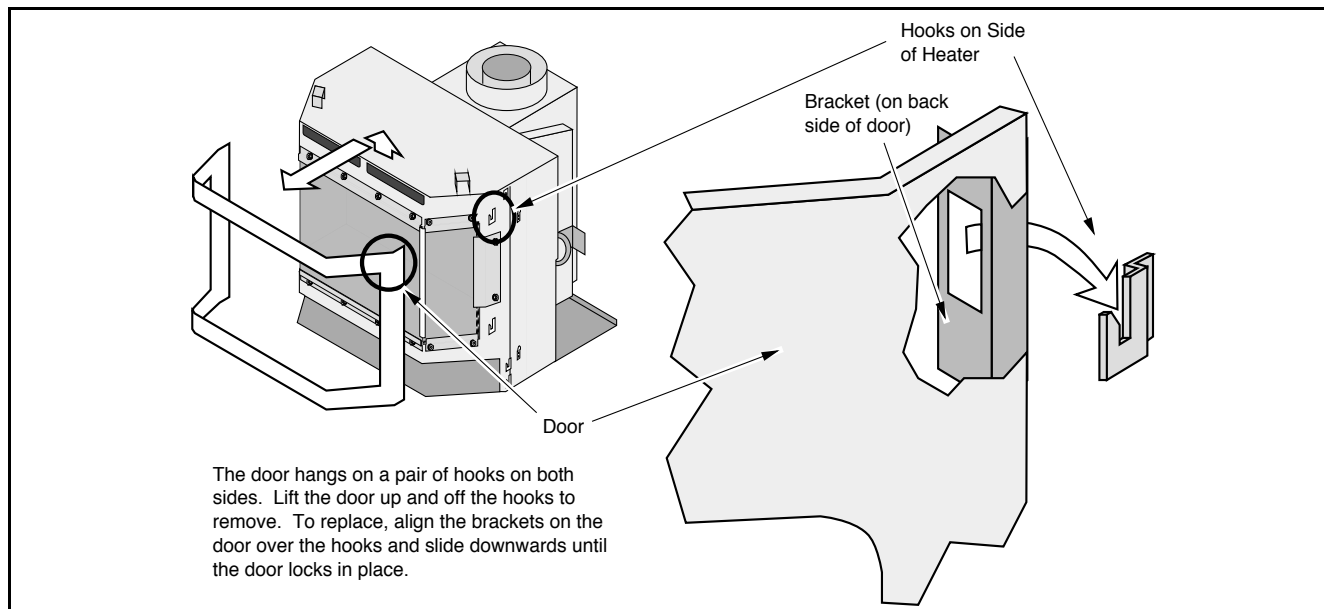
Items Packed with the Pedestal

- Pedestal
- Two 3/8 x 3/4" Bolts
- Two Washers
- Two Lag Bolts (these may be discarded)

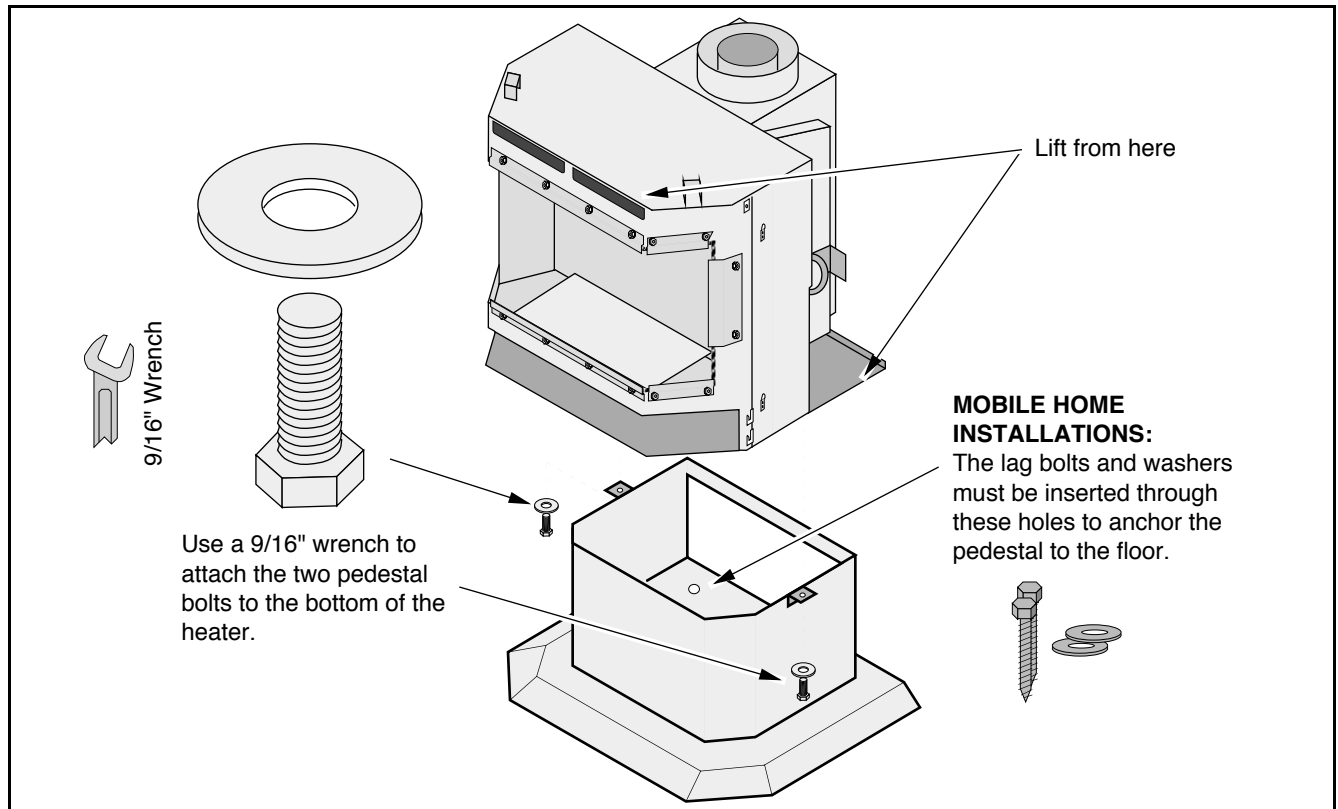
Order of Installation

- 1 Remove the door and place aside
- 2 Attach the pedestal
- 3 Attach the stove panels to the stove
- 4 Install the gas inlet (included with the stove)
- 5 Position the stove, use floor protection if needed
- 6 Connect the gas line
- 7 Connect the gas vent
- 8 Remove the glass
- 9 Purge the gas line & leak test all gas line joints
- 10 Install the Logs
- 11 Replace the glass
- 12 Inspect the pilot, flames, and stove operation

Door Removal (place aside during installation)

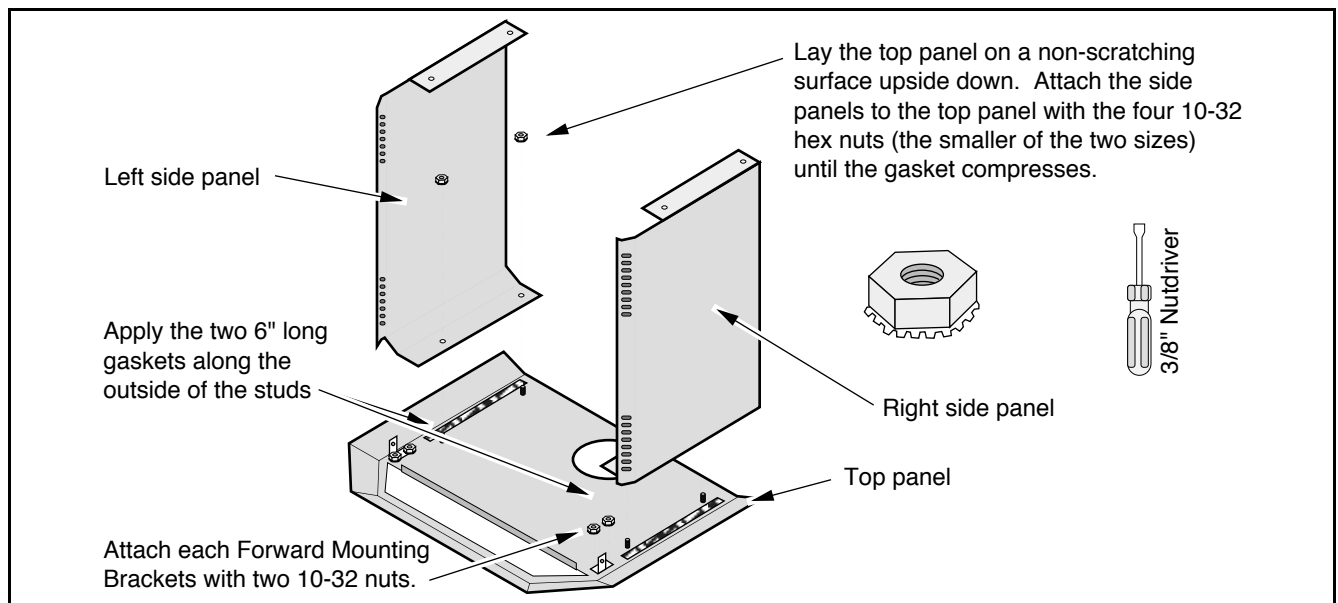


Pedestal Attachment

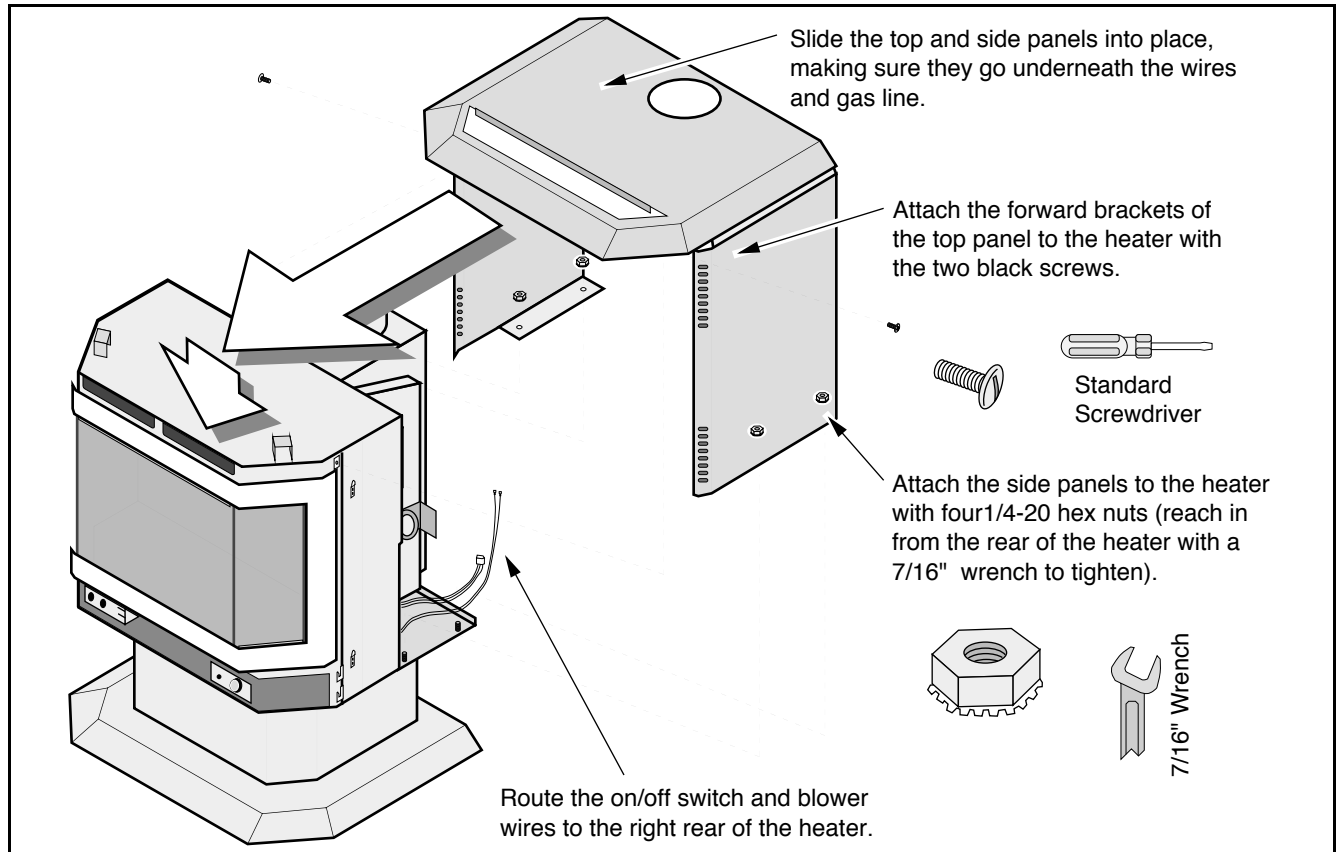


Stove Shell Assembly

- 1 Place the top panel upside down against a non-scratching surface. Attach the two strips of gasket along the outside of the two studs on each side. Attach each side panel to the top panel with two 10-32 lock-washer hex nuts (the smaller of the hex nuts) – use a 3/8" nutdriver - **DO NOT OVERTIGHTEN**. Attach each forward mounting bracket with two 10-32 nuts - use a 3/8" nutdriver.

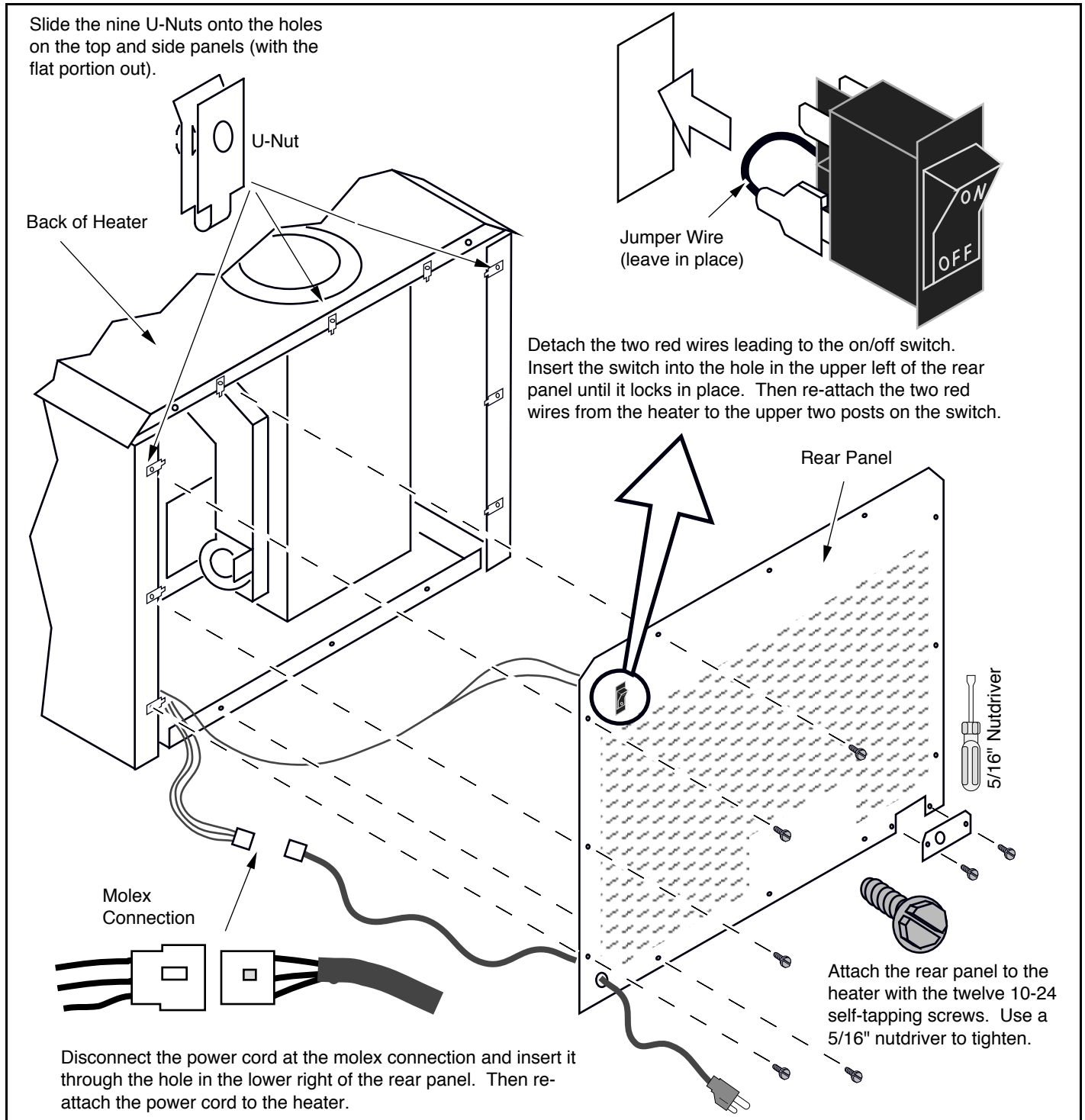


- 2 Slide the side and top panels onto the stove from the back. Make sure the wires do not get caught under the side panels. Attach with the four 1/4-20 lock-washer hex nuts and two screws.

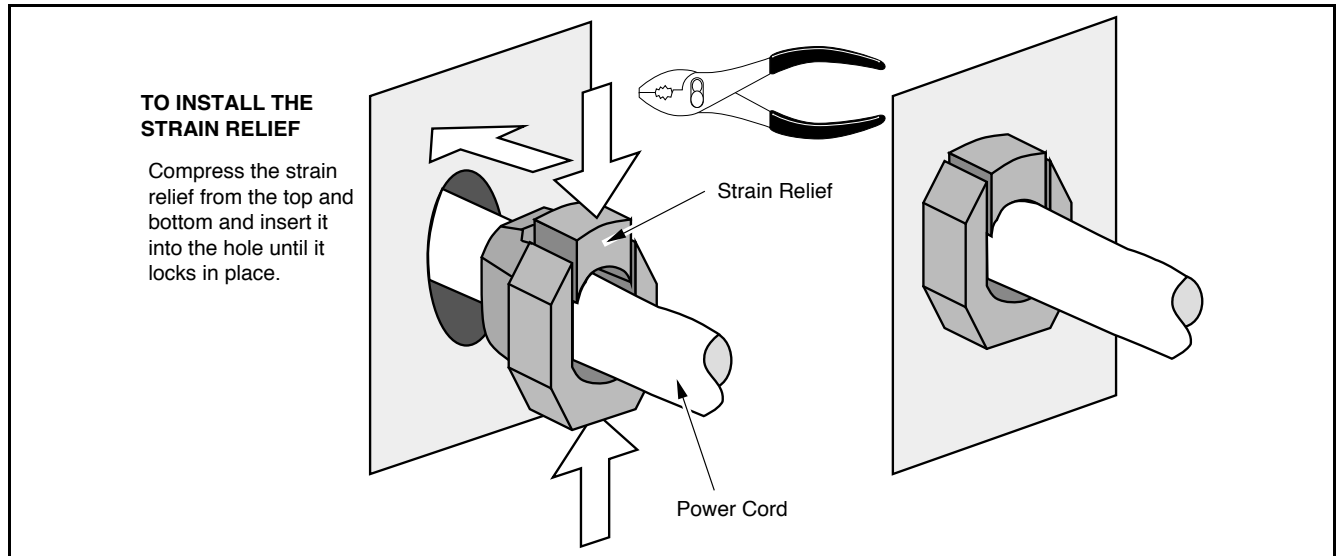


- + **If using a remote control or thermostat, follow the instructions in the optional equipment section of the owner's manual for attaching the wire prior to attaching the rear panel.**
- 3 Slide the nine U-Nuts into place (see the illustration on the following page).
- 4 Insert the molex connector on the power cord through the rear panel and attach it to the molex connector coming from the blower (see the illustration on the following page).

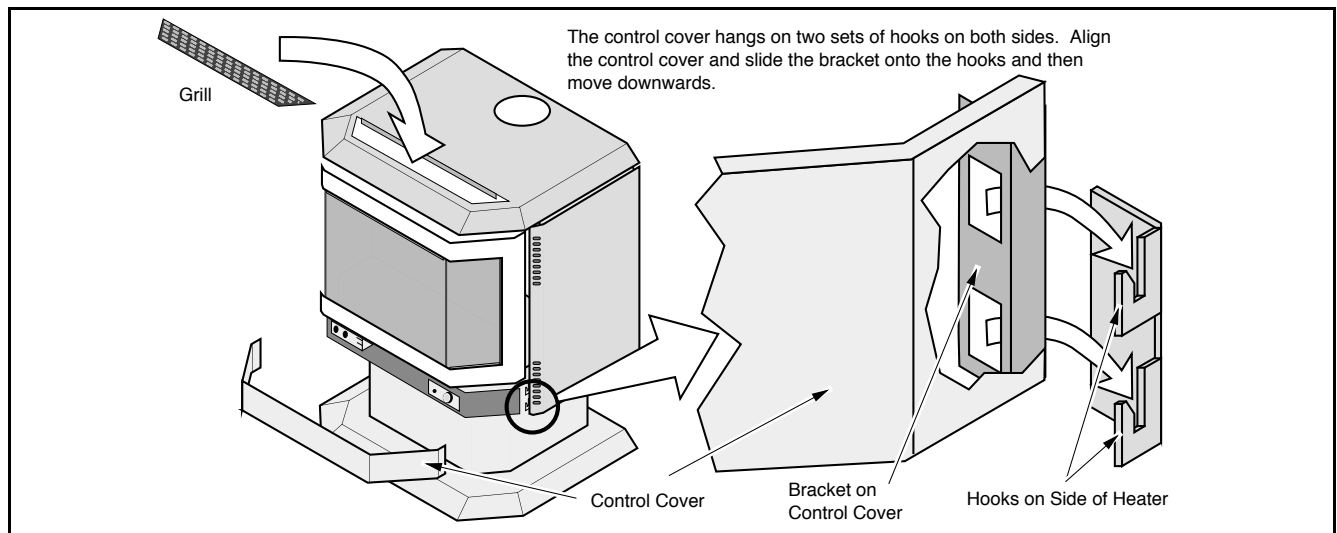
- + Before attaching the rear panel, you need to set the restrictor position. See the section "Approved Vent Configurations" to determine which restrictor position is required and how to adjust the restrictor.
- 5 Attach the on/off switch to the rear panel. Attach the rear panel to the stove and the gas inlet cover to the rear panel (see the illustration below).



- 6 Pull gently on the power cord to take out any extra slack. Place the strain relief included with the stove over the cord and push it into the hole in the rear panel (see the illustration below).

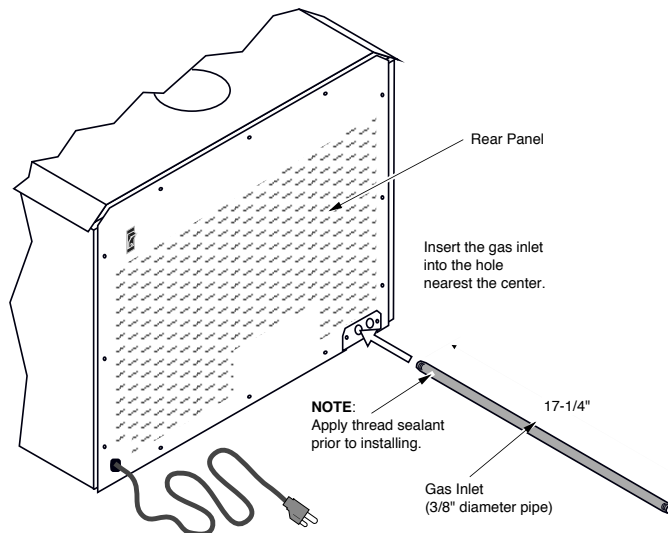


- 7 Attach the control cover by sliding it over the attachment hooks. Place the black grill in place.



Gas Inlet Installation

- Apply thread sealant to one end of the gas inlet and insert it through the rear panel and into the 90° elbow on the gas control valve. Tighten with a pipe wrench.
- ! Leak check all gas line connections.



Floor Protection Requirements

- When the stove is installed directly on carpeting, vinyl or other combustible material other than wood flooring, the stove must be installed on a metal or wood protection panel extending the full width and depth of the pedestal (Minimum 24-1/2" wide by 20" deep).

Stove Placement Requirements & Clearances

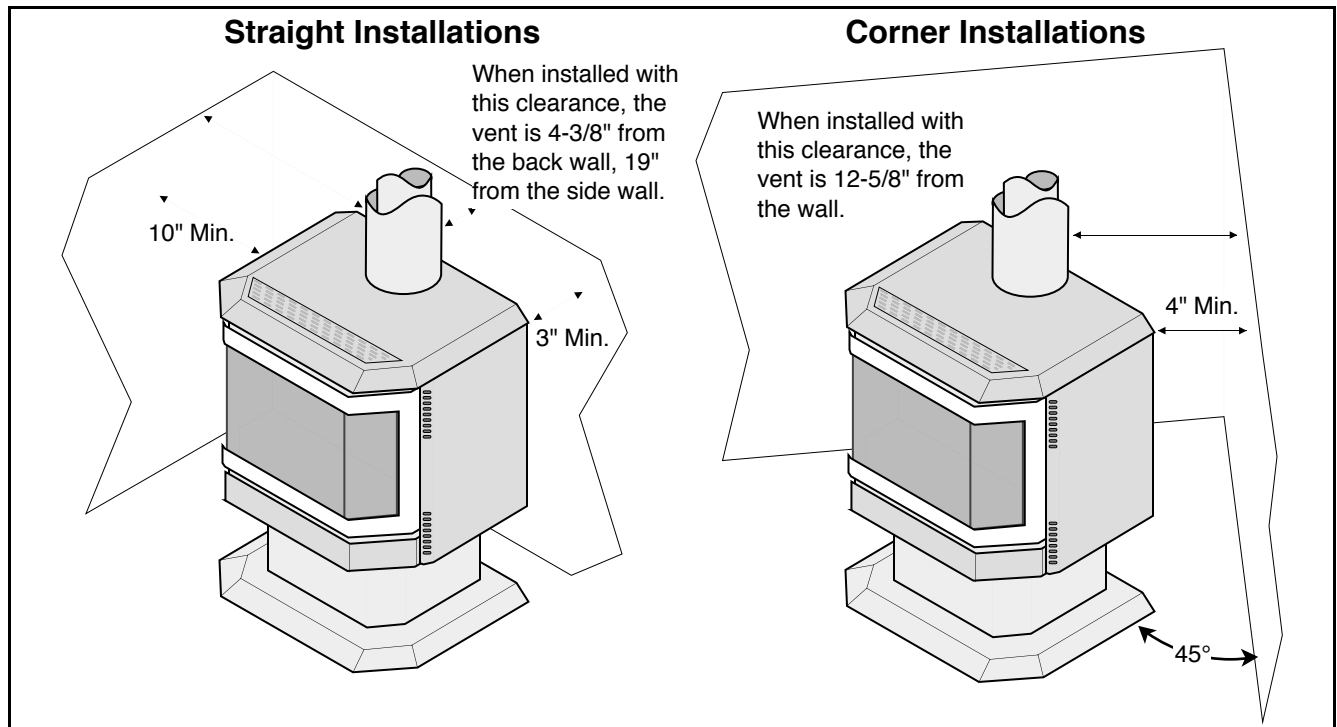
- The stove must be installed on a level surface capable of supporting the stove and vent
- Due to the high temperature of the stove, it should be located out of traffic and away from furniture and draperies. Stove must be placed so no combustibles are within, or can swing within 36" of the front of the stove (e.g. drapes, doors)
- The stove must not be placed so the vents below or above the door, along the sides of stove, or along the back of the stove can become blocked.

Alcoves

When placed in a location where the floor to ceiling height is under 7 feet , the installation is considered an alcove and must meet the following requirements:

- The alcove floor to ceiling height must be at least 58" tall
- The alcove must not be more than 48" deep (before the ceiling returns to 7 feet)
- The alcove must be a minimum of 44-1/2" wide

Minimum Clearances



- + Clearances may be reduced by methods specified in NFPA 211, listed wall shields, pipe shields, or other means approved by local building or fire officials.

Gas Line Installation

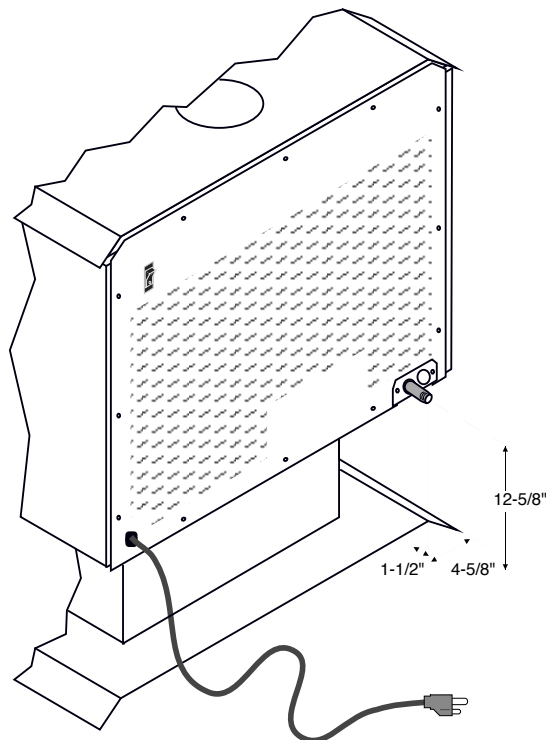
- ! The gas line must be installed in accordance with all local codes, if any; if not, follow ANSI Z223.1 and the requirements listed below.
- ! The stove and gas control valve must be disconnected from the gas supply piping during any pressure testing of that system at test pressures in excess of 1/2 psig. For pressures under 1/2 psig, isolate the gas supply piping by closing the manual shutoff valve.
- The gas line must be properly purged to release all air in the gas line prior to starting the stove.
- ! We recommend you purge the gas line with the glass removed. This allows gas to be detected once it enters the firebox, ensuring gas does not build up.
- Leak test all gas line joints and the gas control valve prior to and after starting the stove.

Fuel

- This stove is designed either for natural gas or for propane (but not for both). Check the sticker on the top of the gas control valve to make sure the correct fuel is used.

Gas Line Connection

- The gas inlet accepts a 3/8" F.P.T. Fitting
- The location of the gas inlet is shown below
- A manual shutoff valve is required for installation (it must be located within 3' of the stove)



Gas Inlet Pressure

- With the stove off, the inlet pressure must meet the requirements listed in the table below
- ? If the pressure is not sufficient, make sure the piping used is large enough and the total gas load for the residence does not exceed the amount supplied.
- ? The supply regulator (the regulator that attaches directly to the residence inlet or to the propane tank) should supply gas at the suggested input pressure listed below. Contact the local gas supplier if the regulator is at an improper pressure.

	Minimum Input Pressure
Natural Gas	7" W.C.
Propane	11" W.C.

Manifold Pressure

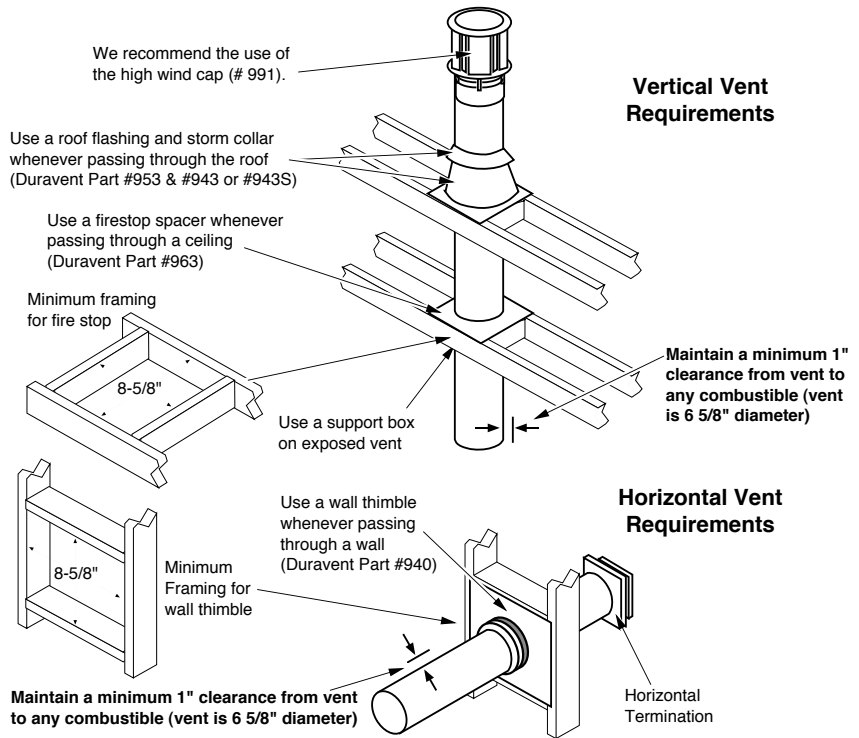
- Gas pressure downstream of the valve may only be checked by removing the manifold pressure tap with a 3/16" allen wrench (1/8" N.P.T. plug). If the manifold pressure does not match the pressure listed in the table below, check the inlet gas pressure and correct the problem.

	Manifold Pressure on HI
Natural Gas	3.5" W.C.
Propane	11" W.C.

Vent Requirements

- ! Always maintain the required 1" clearance (air space) to combustible materials to prevent a fire hazard. Do not fill air spaces with insulation.
- ! The gas appliance and vent system must be vented directly to the outside of the building, and never be attached to a chimney serving a separate solid fuel or gas-burning appliance. Each direct vent gas appliance must use it's own separate vent system.

- ! If the stove is installed at an altitude over 3,000 feet the flame quality will need to be carefully evaluated. See Addendum #1, "Altitude Considerations", on page 38.
- When the vent passes through a wall, a wall thimble is required. When the vent passes through a ceiling, a support box or firestop is required. When the vent passes through the roof, a roof flashing and storm collar are required. Follow the instructions provided with the vent (from Duravent®) for installing these items.

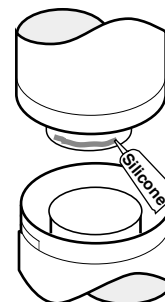


- Use Model GS Direct Vent manufactured by Simpson Dura-Vent **only** (or the Chimney Conversion Kit - see Addendum #2). Follow the installation instructions included with the vent. For the nearest Simpson Dura-Vent supplier, call (800) 835-4429. Part numbers and descriptions are listed below.

Straight Lengths		Vent Terminations	Elbows
908B	6" Pipe Length, Black (interior)	981	990
907B	9" Pipe Length, Black (interior)		90• Elbow
906	12" Pipe Length, Galvanized	982	990B
906B	12" Pipe Length, Black (interior)		90• Elbow, Black (interior)
904	24" Pipe Length, Galvanized	984	945
904B	24" Pipe Length, Black (interior)		45° Elbow
903	36" Pipe Length, Galvanized	983	945B
903B	36" Pipe Length, Black (interior)		45° Elbow, Black (interior)
902	48" Pipe Length, Galvanized	950	
902B	48" Pipe Length, Black (interior)	991	
911B	11" to 14 5/8" Pipe, Adjustable, Black (interior)		

Penetration, Support Parts	
940	Round Support Box/Wall Thimble
941	Cathedral Ceiling Support Box
943	Flashing, 0/12 to 6/12 Roof Pitch
943S	Flashing, 7/12 to 12/12 Roof Pitch
953	Storm Collar
963	Ceiling Firestop
988	Wall Strap

- Apply high-temperature silicone to the male section of inner pipe (on the lower section of vent) so the silicone seals the inner pipe from the outer pipe when the sections are assembled. Slide the sections together and turn 1/4 turn until the sections lock in place. Install three metal screws through each joint to lock the outer section in place (see the instructions included with the vent for further details).



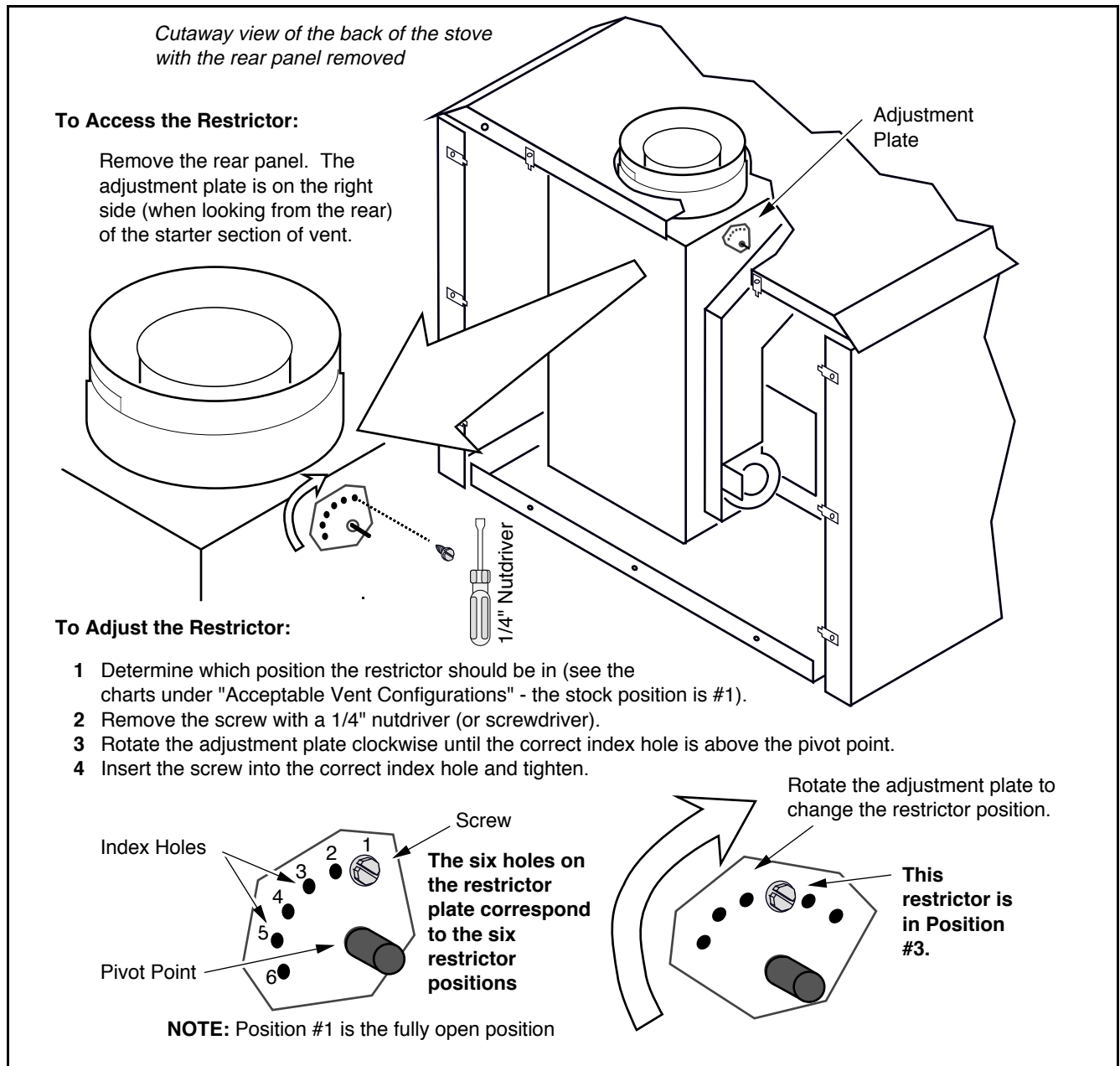
Apply a 1/8" bead of high-temperature silicone to the inner pipe. The silicone must seal the inner pipe from the outer pipe.

- Horizontal sections require a 1/4" rise every 12" of travel
- + Exterior Vent Diameter = 6 5/8", Inner Vent Diameter = 4"
- Horizontal sections require non-combustible support every three feet (e.g.: plumbing tape)

Acceptable Vent Configurations

Restrictor Position

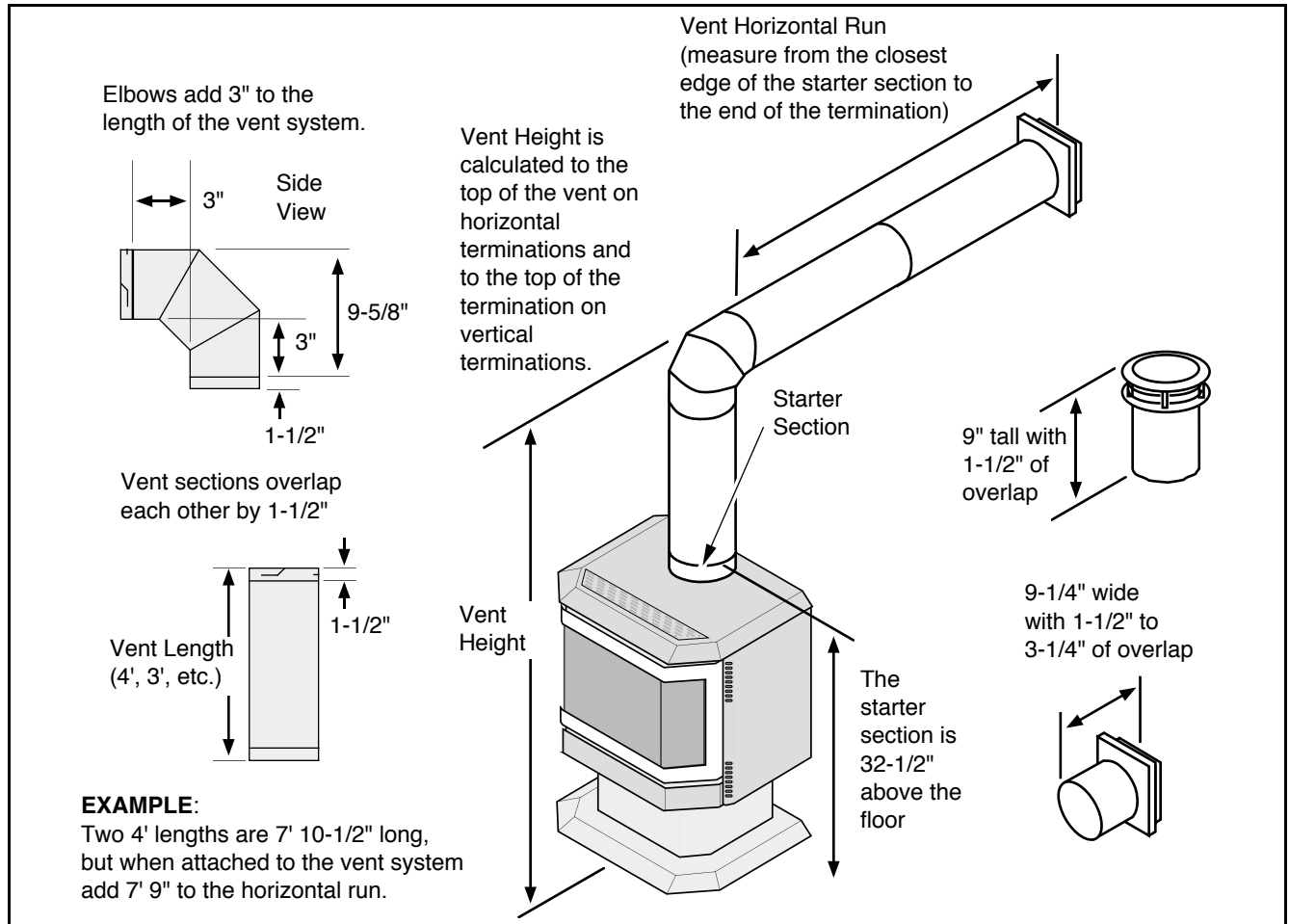
- A vent restrictor is built into the appliance to adjust the flow rate of exhaust gases. This insures proper flames for the wide variety of vent configurations. The restrictor consists of a butterfly valve below the starter section of pipe and an adjustment plate with index holes used to hold the valve in a fixed position. Depending upon the vent configuration, you may be required to adjust the restrictor position. The charts for acceptable vent configurations describe which position the vent restrictor must be in.



Elbows

- 2 Elbow maximum (two 45° or two 90°, not one 45° and one 90°)

Measuring Vent Lengths

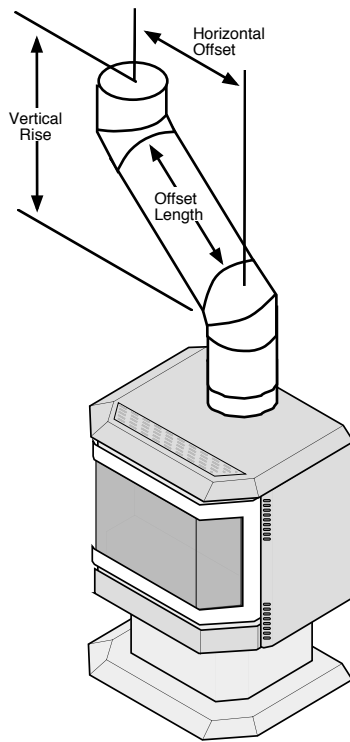


**Approved Configurations with:
Vertical Termination (No Elbows)**

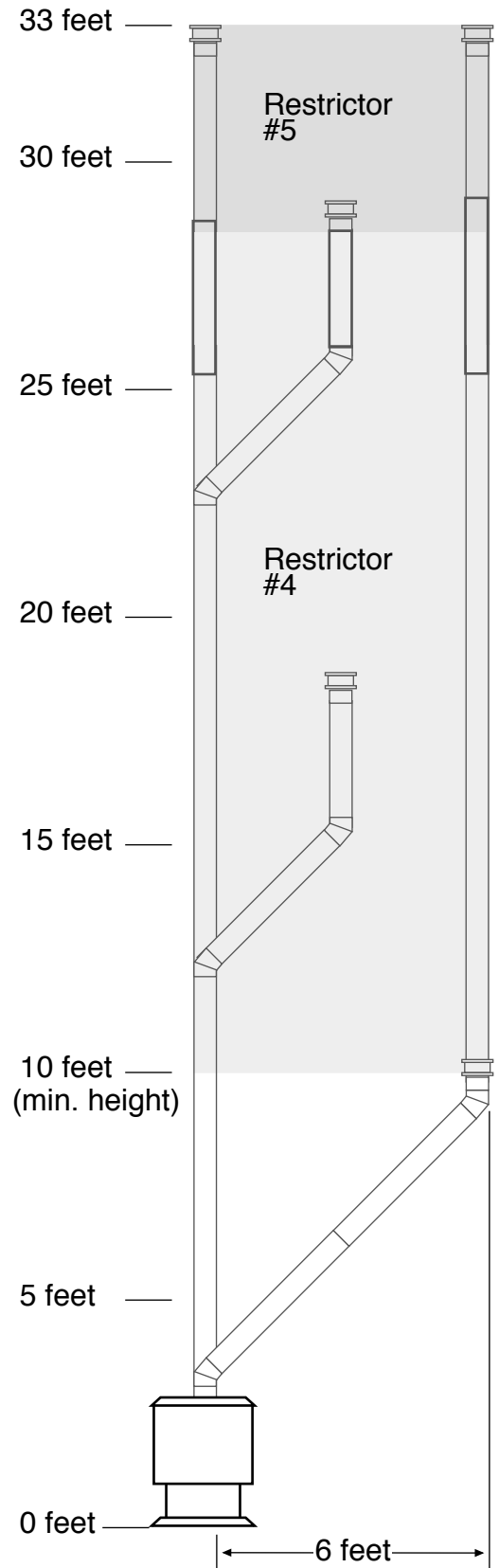
- or -

Vertical Terminations with two 45° Elbows

- 10' Minimum Height (with or without offsets)
- 33' Maximum Height
- 6' Maximum Offset
- Use restrictor position indicated by the area that your termination falls in

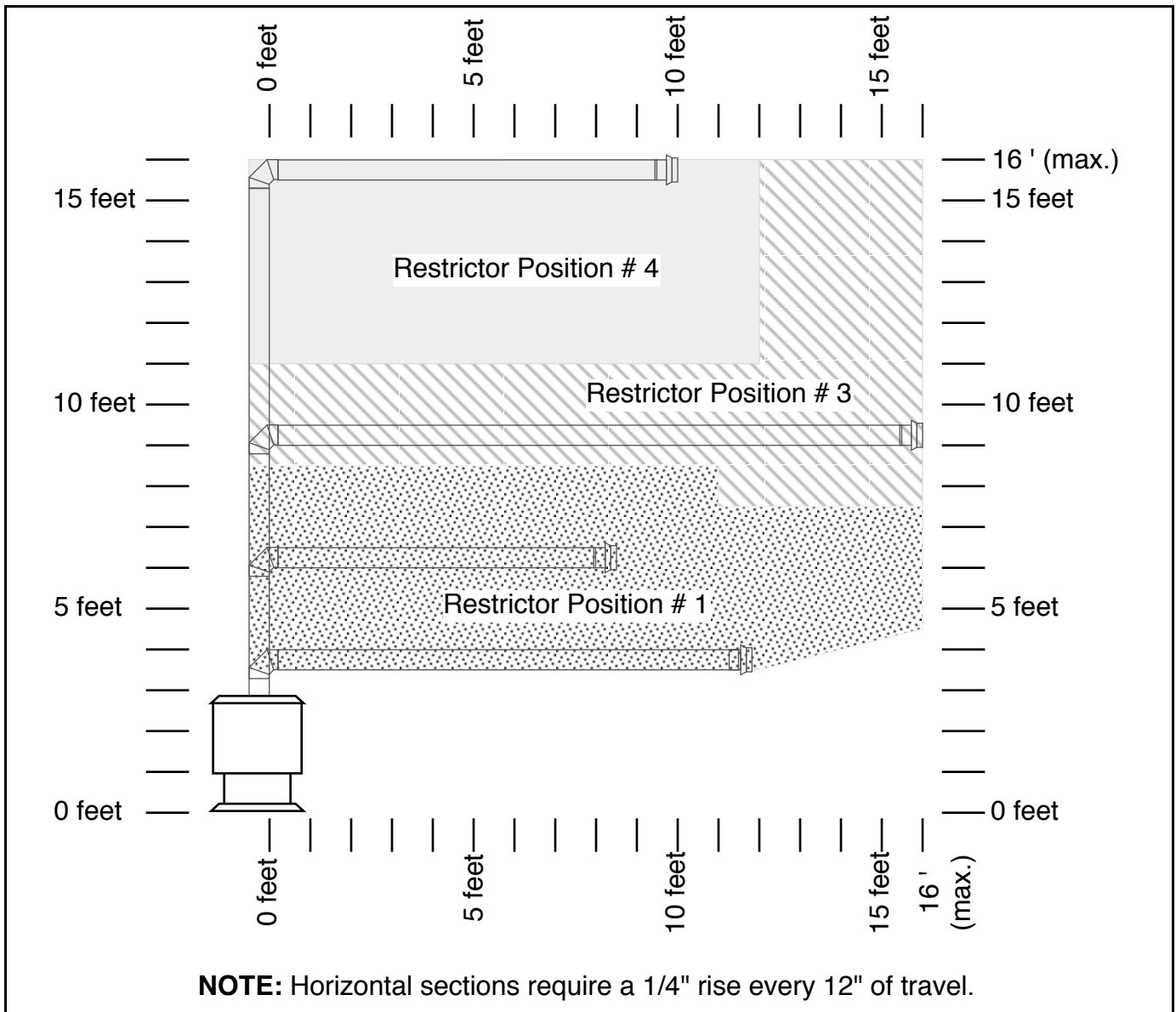


Offset Length	Horizontal Offset	Vertical Rise
None	5"	1'
1' Section	1'	1' 7"
2' Section	1' 9"	2' 4"
3' Section	2' 5"	3'
4' Section	3' 2"	3' 8"
4' + 1' Section	3' 9"	4' 4"
4' + 2' Section	4' 6"	5'
4' + 3' Section	5' 2"	5' 9"
4' + 4' Section	6'	6' 9"



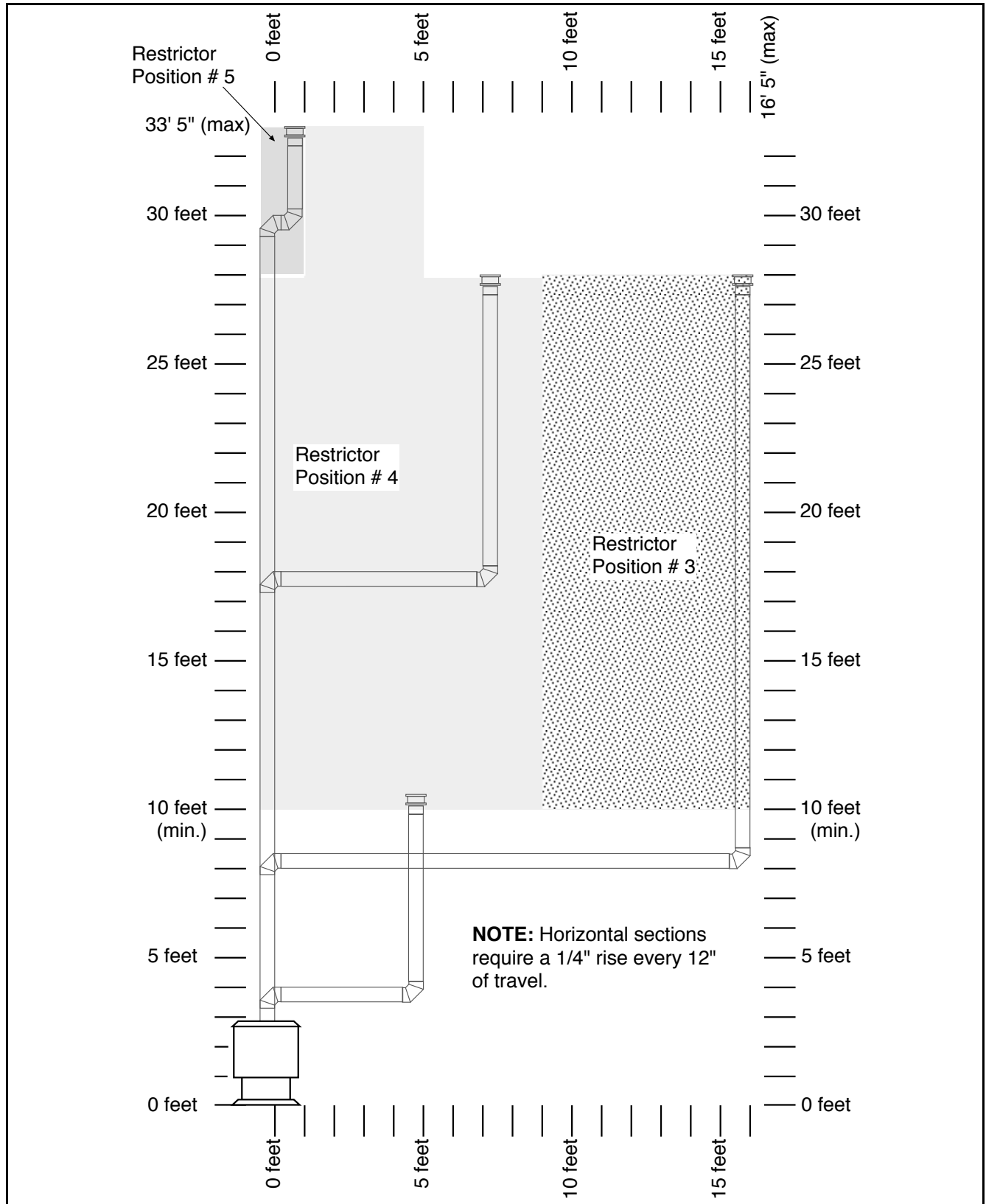
Approved Configurations with a Horizontal Termination (using one 90° elbow)

- 16' Maximum Horizontal Run
- 16' Maximum Height
- If using a **Snorkel Termination** (14" or 36") add the snorkel height to the vertical height.
- Use restrictor position indicated by the area that your termination falls in



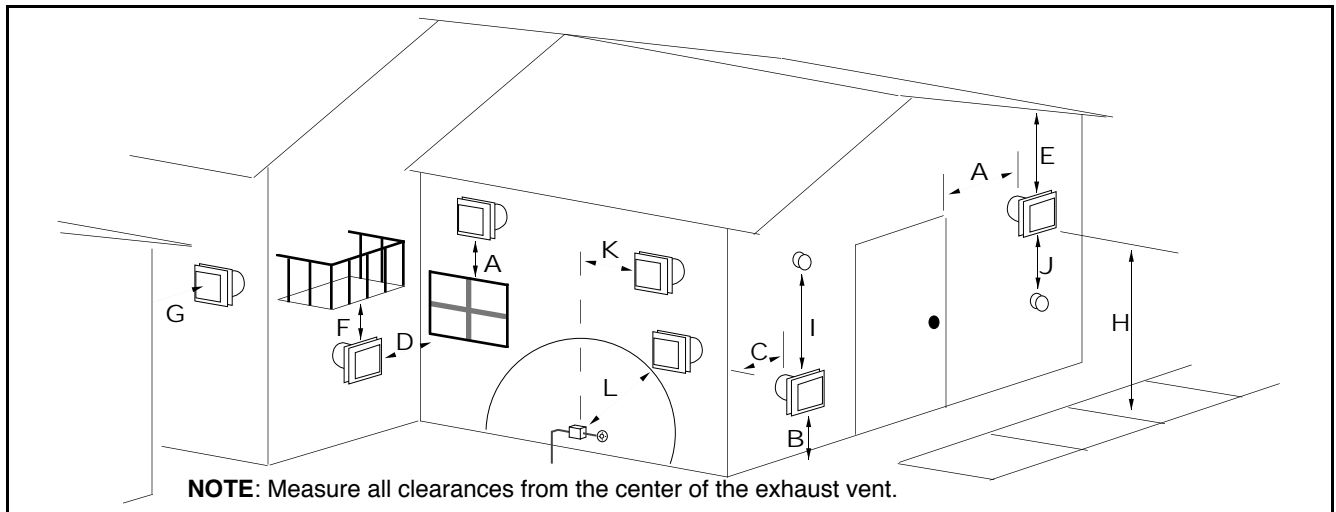
Approved Configurations with a Vertical Termination and Two 90° Elbows

- 16' 5" Maximum Horizontal Run (4' 10" if the vertical rise is over 27' 9")
- 33' 5" Maximum Height (27' 9" if horizontal run is over 4' 10")
- Use restrictor position indicated by the area that your termination falls in



Horizontal Vent Termination Requirements (see the illustration below)

- The horizontal vent termination (standard or snorkel) must meet the following requirements:
- A Minimum 12" clearance to any door or window (9" if the window may not be opened)
- B Minimum 12" above any grade, veranda, porch, deck or balcony
- C Minimum 12" from outside corner walls
- D Minimum 24" from inside corner walls
- E Minimum 18" clearance below a soffit (eaves or overhangs) (24" for vinyl covered surfaces)
- F Minimum 18" clearance below a veranda, porch, deck or balcony (must have two open sides)
- G Minimum 48" clearance from any adjacent building
- H Minimum 84" clearance above any grade when adjacent to public walkways or driveways
- NOTE: may not be used over a walkway or driveway shared by an adjacent building
- I Minimum 36" clearance from any mechanical air supply inlet
- J Minimum 12" clearance from the top and sides or 36" below any non-mechanical air supply inlet
- K Minimum 36" from the area above the meter/regulator (vent outlet)
- L Minimum 36" from the meter/regulator (vent outlet)

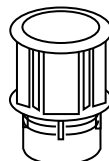


- Use the vinyl siding standoff (#950) when installing on an exterior with vinyl siding.
- Vent termination must not be located where it will become plugged by snow or other material

Vertical Vent Termination Requirements (see the illustration below)

Roof Pitch	U.S. Min. Height (feet)
Flat to 7/12	1
7/12 to 8/12	1.5
8/12 to 9/12	2
9/12 to 10/12	2.5
10/12 to 11/12	3.25
11/12 to 12/12	4
12/12 to 14/12	5
14/12 to 16/12	6
16/12 to 18/12	7
18/12 to 20/12	7.5
20/12 to 21/12	8

- + Travis Industries highly recommends the high wind vertical termination in all installations (part # 991).



High-Wind Vertical Termination (#991)

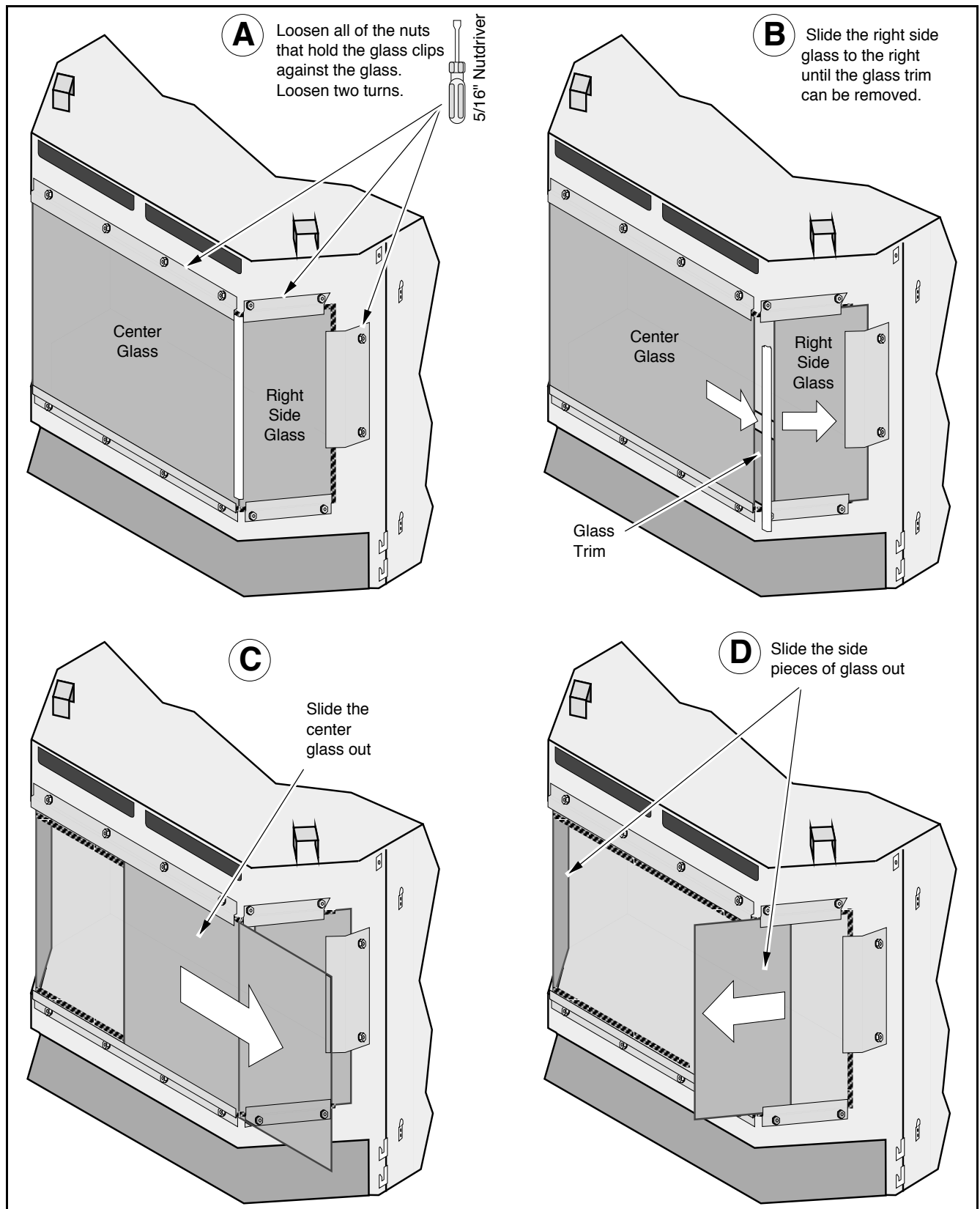


Standard Vertical Termination (#983)

Electrical Connection

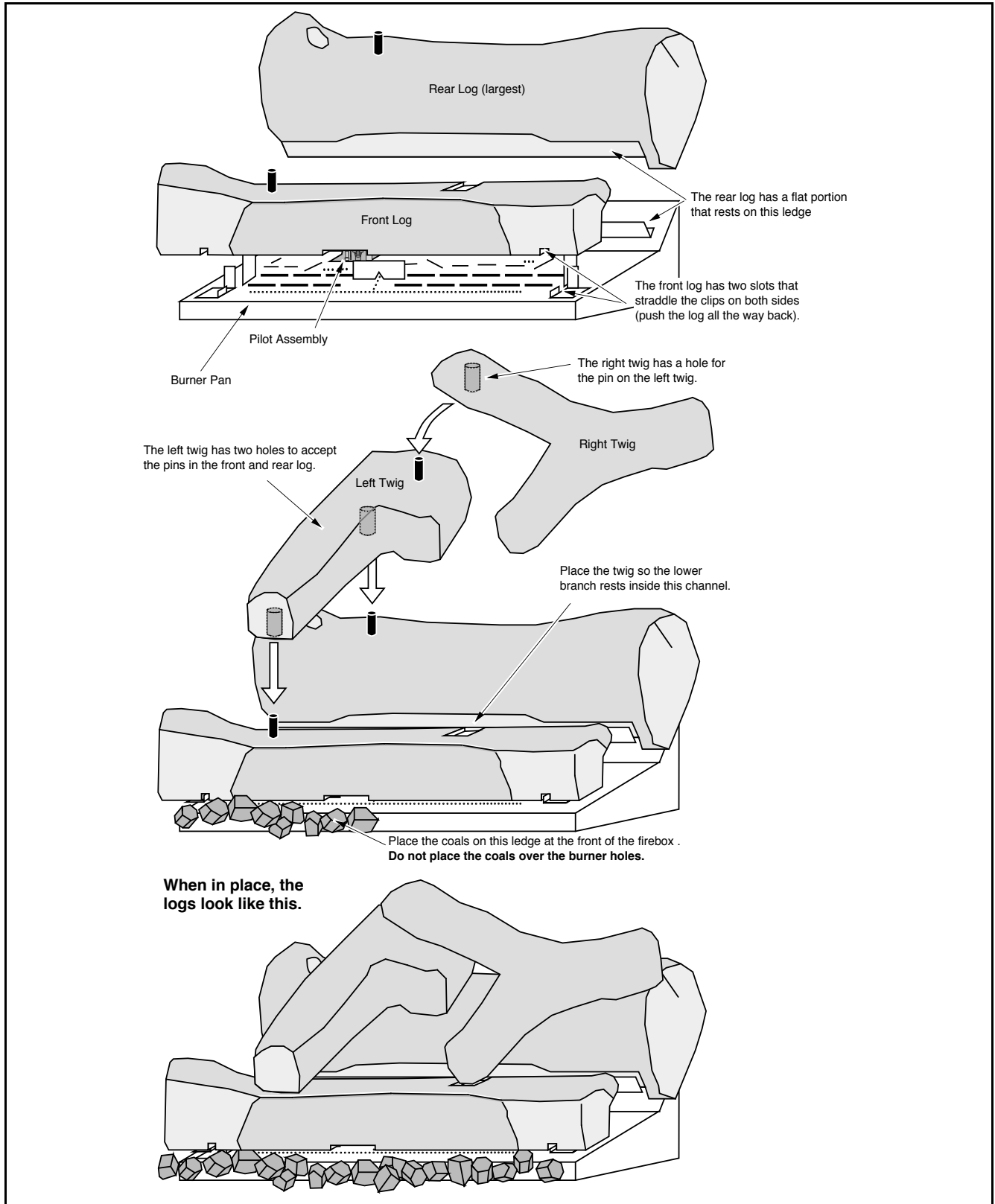
- Plug the power cord into a grounded 110 Volt outlet (do not remove the grounding plug).

Glass Removal



- + **If switching the burner pan to propane (LP), do so now.**
- + We recommend you purge the gas line at this time (with the glass removed). This allows gas to be detected once it enters the firebox, ensuring gas does not build up.

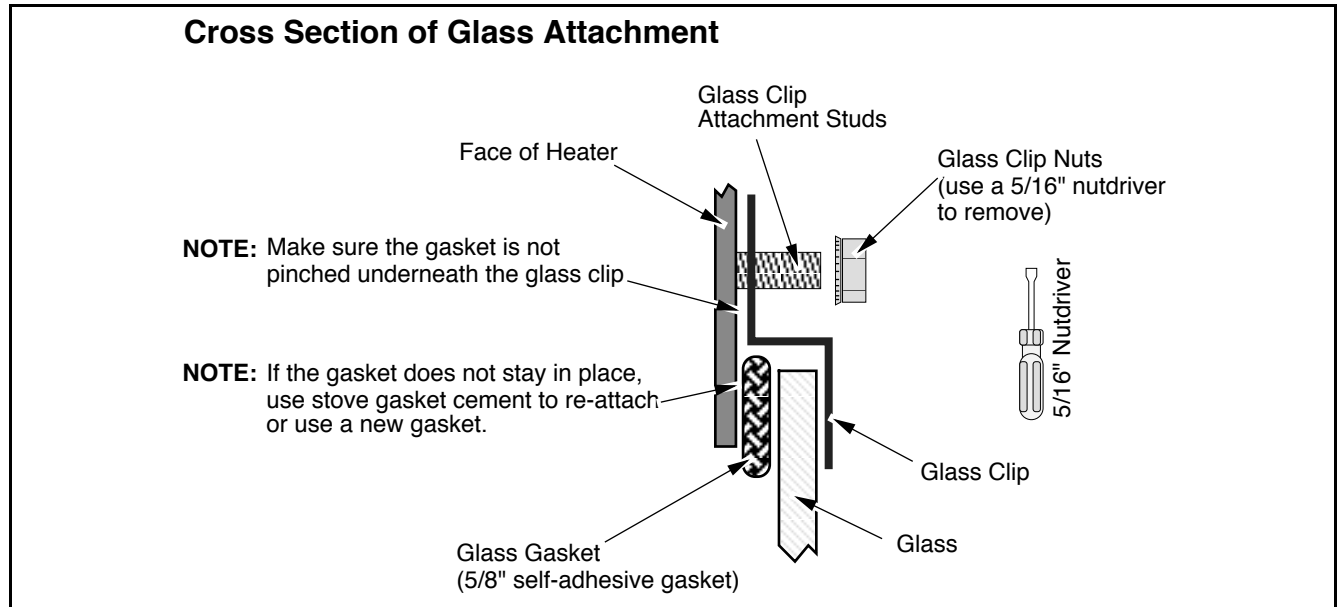
Log and Ember Installation



Glass Installation

Install the glass by following the instructions on page 20 in reverse order. **NOTE:**

- The glass clips should be in place with the nuts threaded two turns onto the attachment studs.
- The gasket must be pliable and follow the perimeter of the firebox opening.
- After the glass and trim is in place, align the glass so it is centered and the pieces of glass insert fully into the trim
- Tighten the glass clips on the center piece of glass first.



Door Installation

Place the door on the stove (see page 6 for details).

- ! Clean the door with a soft piece of cloth and denatured alcohol. Other cleaners may leave a film. Marks left on the gold may become etched in place if not cleaned before starting the stove.

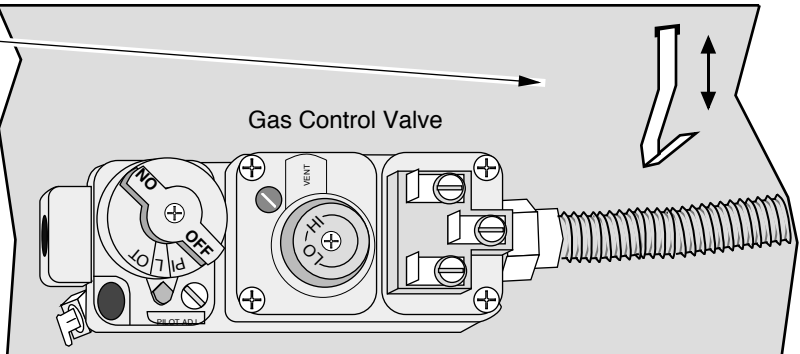
Leak, Pilot, and Flame Testing

- ! Leak test all gas line joints leading to the gas control valve. Correct any leaks. Start the pilot flame and main burners (see the directions on page 25 & 26 if uncertain). Leak test all gas line joints leading from the gas control valve to the burner pan. Correct any leaks. Turn the flame adjust knob to its highest position - the flames should be a between 8" and 11". Check the flame on low position. The flames should burn off of each burner hole. Turn the main burner off and check the pilot flame to make sure it burns correctly (see the picture on page 28).

- Let the stove burn for fifteen minutes. Adjust the air shutter, if necessary, to achieve the correct looking flame (see the illustration below). The air shutter adjusts the amount of air that mixes with the gas before it exits the burner holes. It is used to fine-tune the flame for differences in altitude and vent configuration.

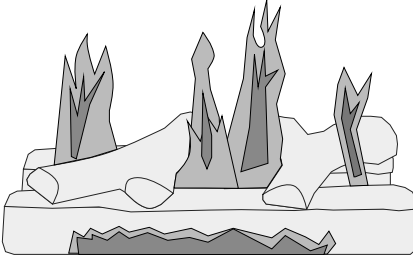
Locate the air shutter adjustment lever behind the gas control valve. Move it up or down until the flame looks correct. Pushing up gives the flame more air (making it bluer). Pulling it down cuts air down, making it more orange.

NOTE: If the air control is all the way up, yet the flames remain sooty, shut off gas to the fireplace and contact a qualified gas service technician.



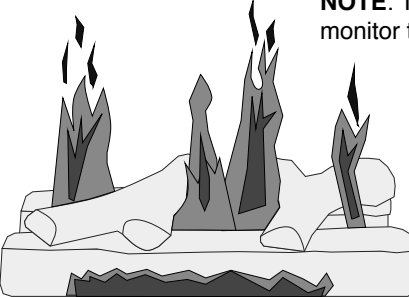
Gas Control Valve

NOTE: The logs must be installed correctly to monitor the flame while adjusting the air shutter.



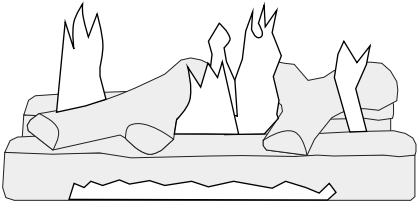
Correct

Flames should be blue at the base, yellow-orange on the top.



Not Enough Air

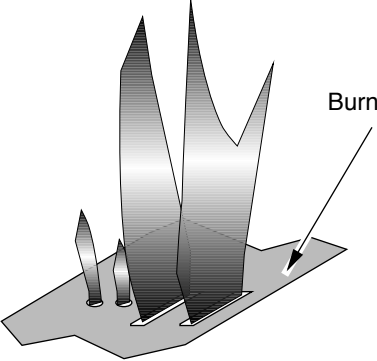
If the flames are over 12" tall or sooty on the ends, push up on the lever.



Too Much Air

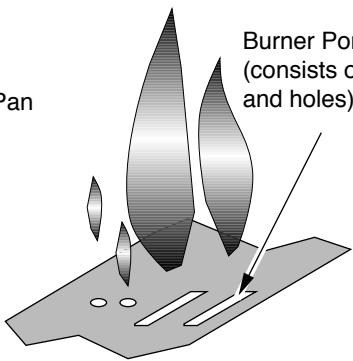
If the flames are all blue and short, pull down the lever.

- ! If the air shutter is in its fully open position, yet the flames remain sooty, shut off gas to the stove and contact your Travis Industries Dealer for a remedy.
- ! If the vent configuration is installed incorrectly the vent may cause the flames inside the stove to lift or "ghost" – a dangerous situation. Inspect the flames after installation to insure proper performance. If the vent configuration is correct, yet the flames are lifting or ghosting, shut off gas to the stove and contact the dealer for information on remedying the problem.



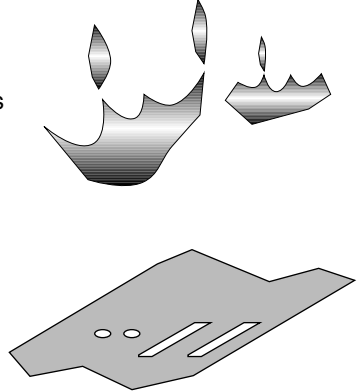
Burner Pan

The flames should burn right off the top of the burner ports (if they are too blue, adjust the air control).



Burner Ports (consists of slots and holes)

If the flames are lifting, yet the vent configuration is correct, contact your dealer.



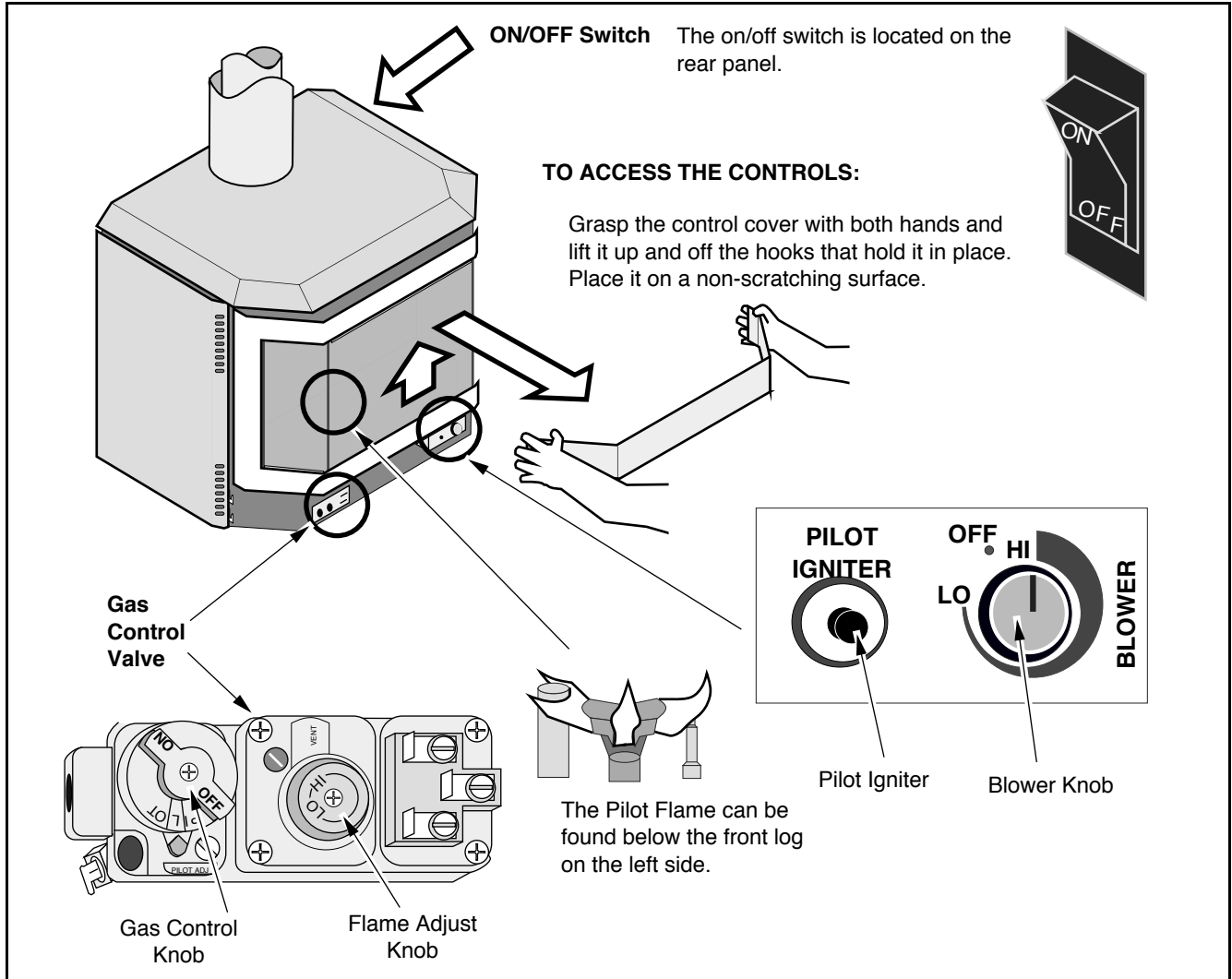
If the flames are ghosting, yet the vent configuration is correct, contact your dealer.

- Give this manual to the home owner and fully explain the operation of this stove.

Before You Begin

! Read this entire manual before you use your new stove (especially the section "Safety Precautions" on pages 2 & 3). Failure to follow the instructions may result in property damage, bodily injury, or even death.

Location of Controls - See explanation below



On/Off Switch

This control is used to turn the main burner on and off.

Gas Control Knob

This knob is used to control gas to the stove and for starting the pilot. There are three positions, ON, OFF, & PILOT. The pointer directly below the knob indicates the position this knob is in.

Flame Adjust Knob

This knob controls the flame height from low ("LO") to high ("HI"). The pointer to the upper right of the knob points to the position this knob is in.

Pilot Igniter

The pilot igniter is used only to start the pilot. When pressed, it sends an electrical charge to the pilot assembly. This creates a blue spark directly next to the pilot, igniting the pilot flame.

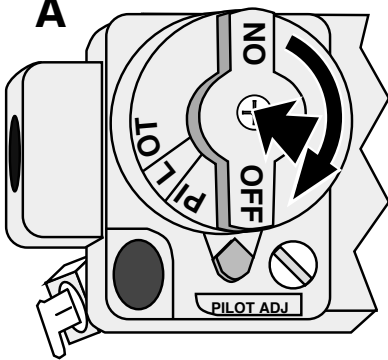
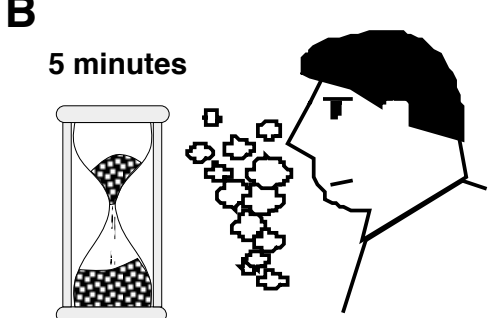
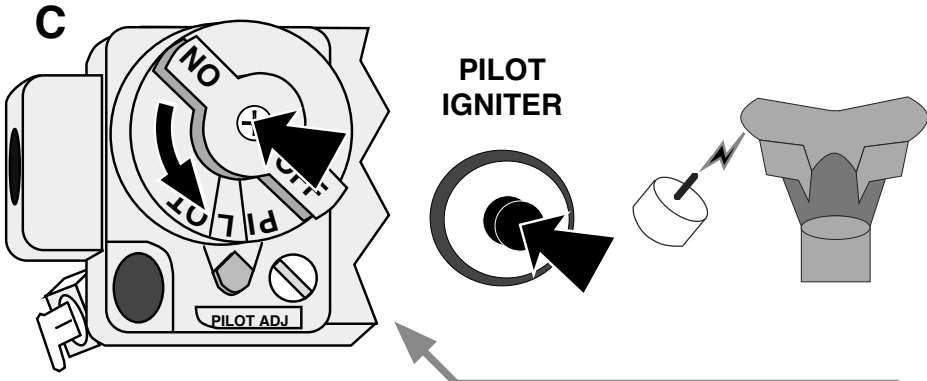
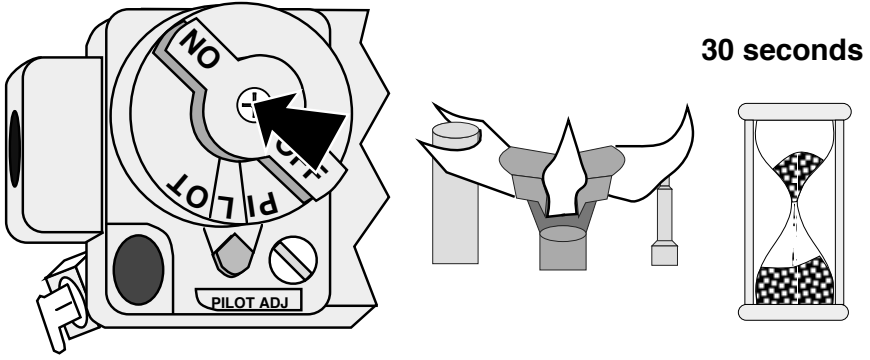
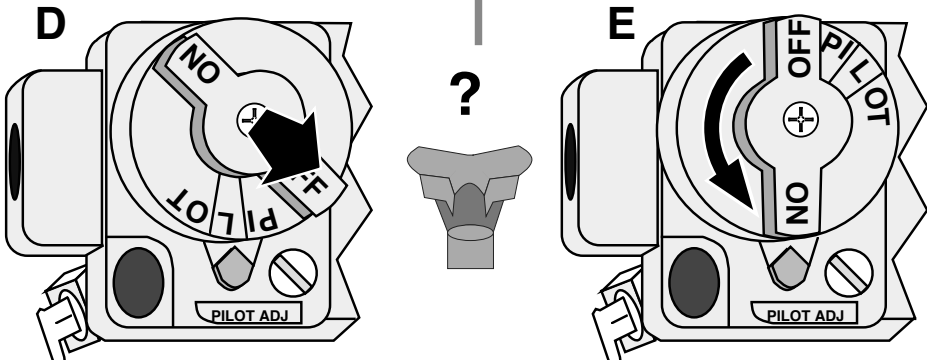
Blower Knob

This knob controls the speed of the internal convection blower that pushes the heated air into the room.

? If using a remote control or thermostat, the On/Off Switch must be left "ON". Turning the On/Off Switch "OFF" will keep the stove off always.

Starting The Pilot Flame

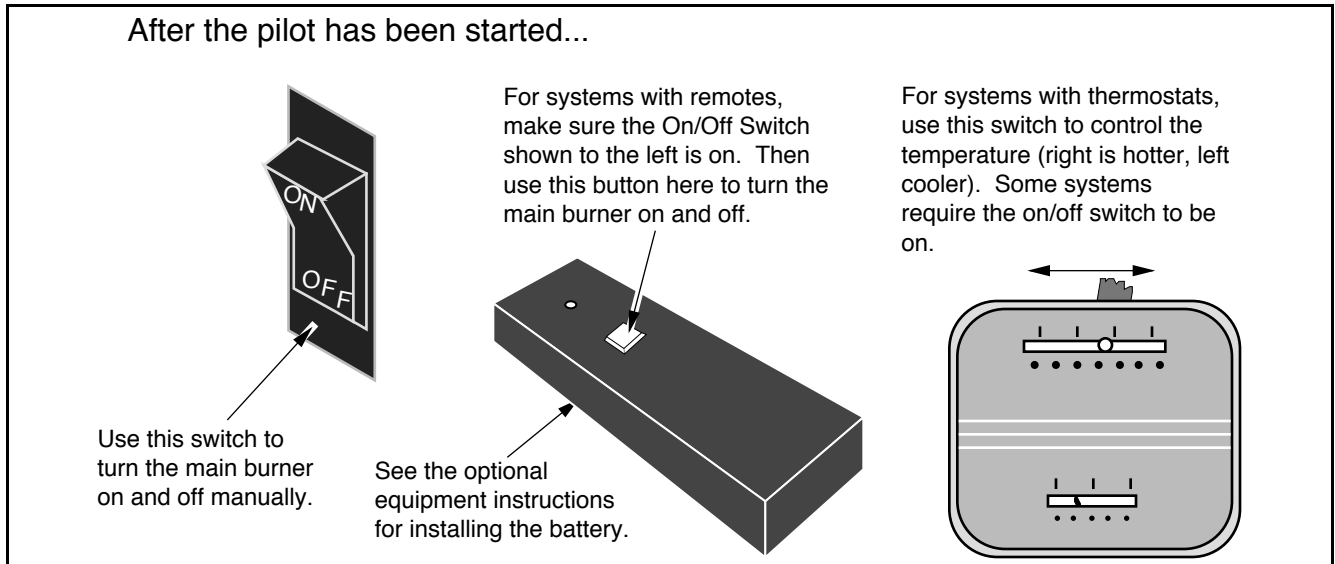
The pilot flame is required to ignite the main burners (it also plays a safety role). It should be left on once lit. It will stay lit unless the gas control valve is turned to "OFF". However, the pilot will go out if the gas is shut off or if the stove malfunctions. If the pilot turns off frequently, call your dealer for information. To start the pilot follow the directions below:

- A** Push the gas control knob in slightly and turn it to the "OFF" position. The knob will not turn from "ON" to "OFF" unless the knob is depressed slightly.
- B** Wait five minutes to let any gas that may have accumulated inside the firebox escape. If you smell gas, follow the directions on the cover "IF YOU SMELL GAS".
- C** Turn the gas control knob to the "PILOT" position and press the knob in, this will allow gas to flow to the pilot light. Press the red button on the pilot igniter repeatedly until you see the pilot light. **KEEP THE GAS CONTROL KNOB DEPRESSED FOR 30 SECONDS ONCE IT IS LIT.** Note: If the pilot does not light after several tries, call your dealer for service.
- D** Release the gas control knob. If the pilot goes out, repeat step C. If the pilot refuses to stay lit, call your dealer for service.
- E** Turn the gas control knob counter-clockwise to "ON". The pilot is now lit and the stove can be turned on and off.
- 
- 
- 
- 
- 

Starting the Stove for the First Time

- + **Fumes** and smoke from the paint curing and oil burning off the steel may occur the first time you start your stove. This is normal. We recommend you open windows to vent the room.
- + **Condensation** may appear on the glass each time you start the stove - this is normal.
- + **Blue Flames** will occur on the stove when it first comes on. After fifteen minutes the flames will turn a more realistic yellow and orange color.
- ? Certain installations use a remote "wall switch" to turn the stove on and off. If this is the case, leave the ON/OFF switch "ON".

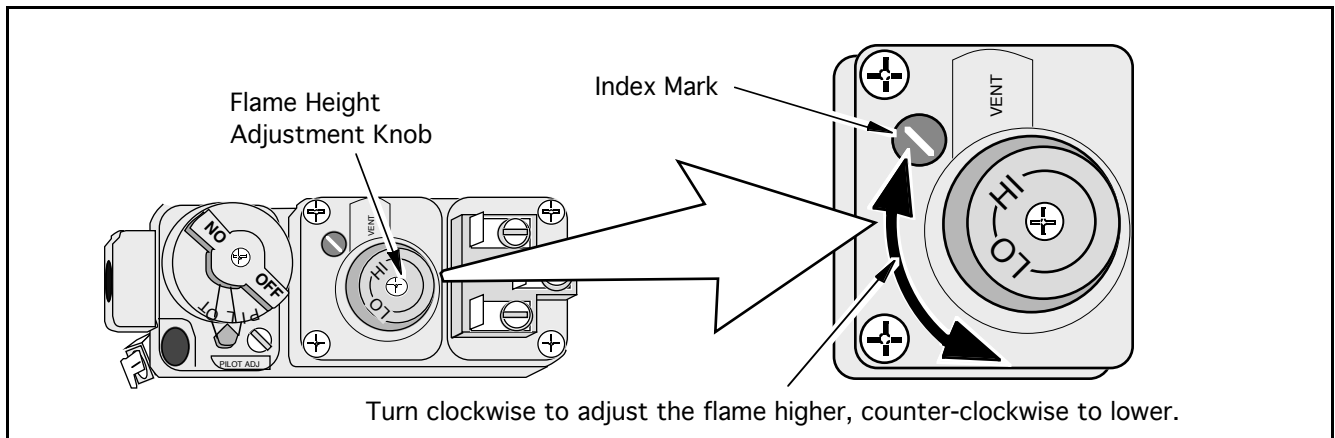
Turning the Stove On and Off



- ! Do not place any combustible items on top of or directly in front of the stove, even temporarily. The optional thermostat may start the stove causing a combustible item to ignite.
- ? If the stove turns on and off frequently while using the thermostat, you may want to adjust the flame height down until it produces just enough heat needed.

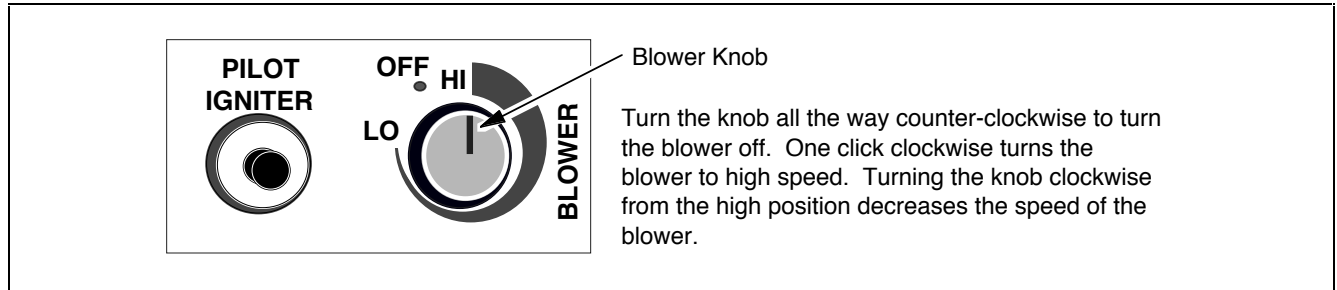
Adjusting the Flame Height

- + Your stove has an adjustable flame to tailor the look and heat output to your specific needs. It is adjusted by turning the middle dial on the gas control valve.

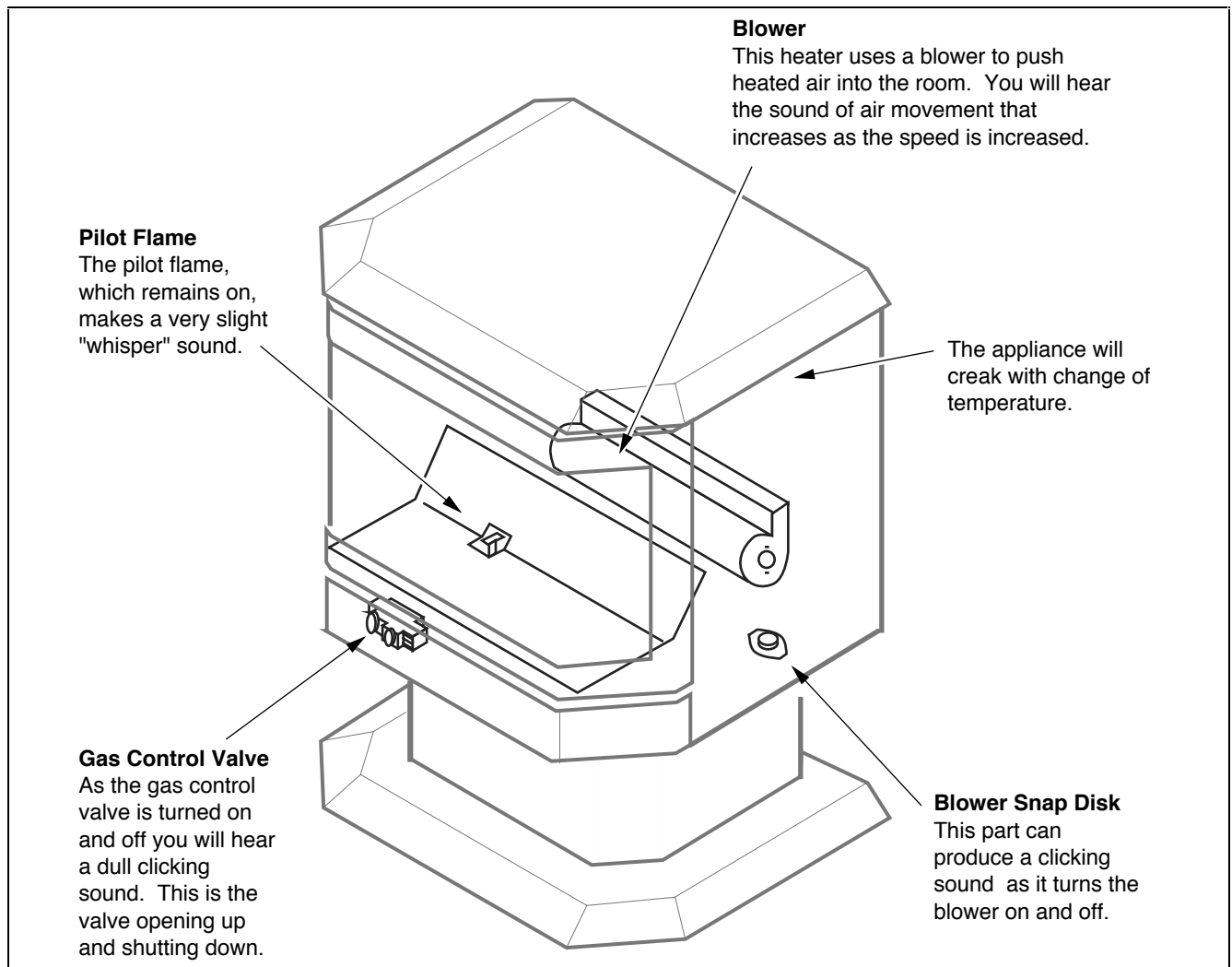


Adjusting the Blower Speed

- + The blower helps transfer the heat from the stove into the room. It will not turn on until the stove is up to temperature (approximately 10 minutes after starting). See the illustration below for instructions on adjusting the blower speed.



Normal Operating Sounds

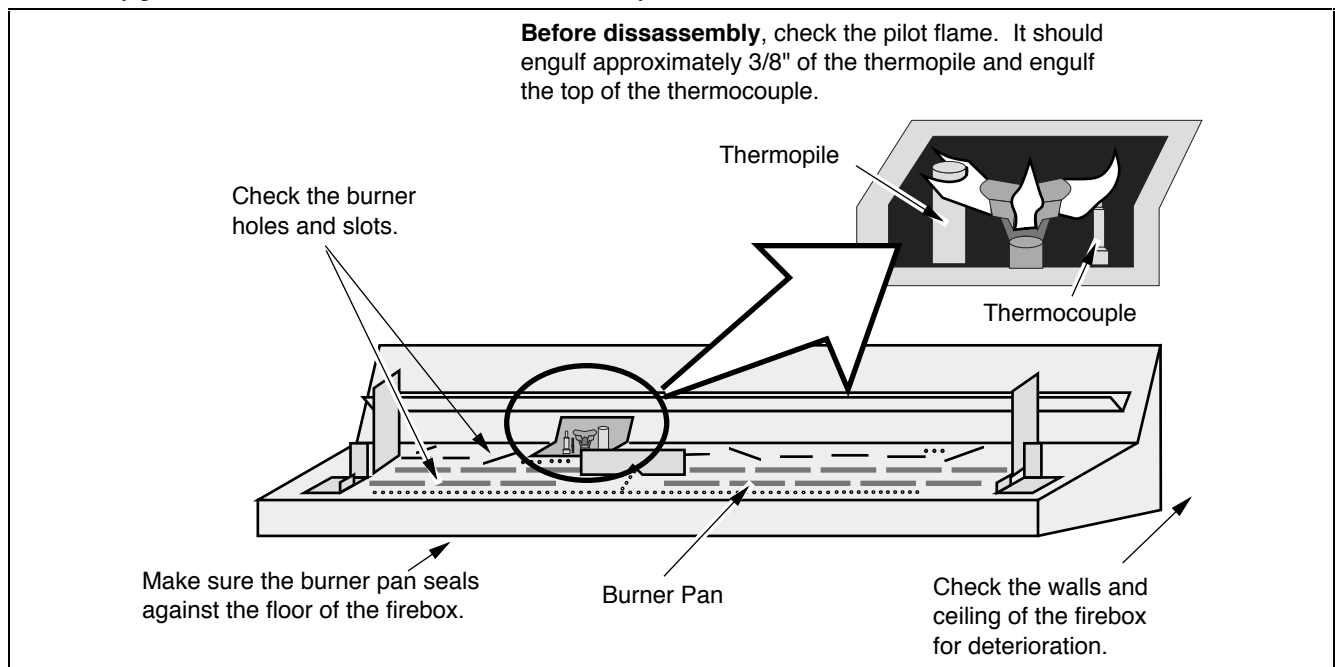


Maintaining Your Stove's Appearance

- ! The enameled surfaces may chip if struck. Damaged surfaces may be repaired using the enamel touch-up paint available from Your Dealer
- ! Fingerprints or other marks left on the gold surface may become etched in place if they are not wiped clean prior to turning the stove on. Clean the surfaces with denatured alcohol and a soft cloth.
- Enameled surfaces may be cleaned with a soft rag and water. Do not use any other cleaning materials.

Yearly Service Procedure

- ! Failure to inspect and maintain the stove may lead to improper combustion and a potentially dangerous situation. We recommend the following procedures be done by a qualified technician.
- 1 Check the pilot flame. It should engulf approximately 3/8" of the top of the thermopile and engulf the top of the thermocouple (see illustration below). If it does not, contact your dealer for service.
- 2 Shut off gas to the stove by turning the gas control knob to "OFF" (see step A under "Starting the Pilot" on page 25). Let the stove cool for 15 minutes. Remove the door (see page 6) and glass (see page 20).
- 3 Remove the log set (see page 21). If any log is cracked or deteriorated, replace it when re-installing. Check the logs for sooting. A small amount of soot along the bottom of the logs is normal. If excessive sooting is found, the stove will require adjustment. Contact your dealer.
- 4 Clean the burner pan (especially in the burner holes and slots) and inspect the following:
 - Check for burner pan holes that are cracked, severely warped, or corroded.
 - Make sure the burner pan assembly fits flat against the floor of the firebox.
 - Check the firebox and area around the pilot to make sure there is no warping or damage.
 If any problem is found, discontinue use and contact your dealer for service.



- 5 Replace the log set. Replace the glass (use a new gasket - if the glass is damaged, replace it). Make sure the gasket along the perimeter of the glass contacts the face of the firebox and forms an air-tight seal. If it does not, re-align or replace the gasket to insure an air-tight seal. Replace the faceplate.
- 6 Inspect the area behind the control cover. Check the gas control valve and all of the gas lines. If any damage is found, discontinue use and contact your dealer for service.
- 7 Start the pilot and turn on the main burner. The flames should be orange/yellow and not touch the top of the firebox. If the pilot or main burners do not burn correctly, contact your dealer for service. Monitor the blower operation. If it makes excessive noise, contact your dealer for an evaluation.
- 8 Remove any debris or vegetation near the vent termination. Contact your dealer if any sooting or deterioration is found near the vent termination.

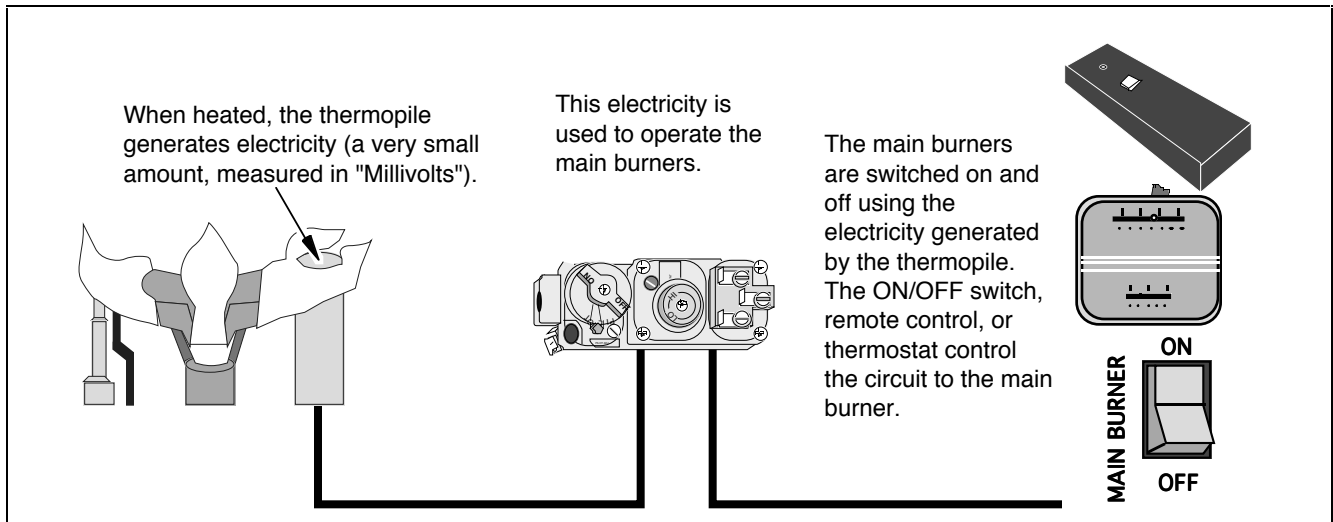
Problem:	Possible Cause:	Don't Call for Service Until You:
Pilot Will Not Flame	A gas shut off valve is turned off.....	Check all gas shut off valves
	The gas control knob isn't turned to "PILOT".....	See "Starting the Pilot Flame" Pg 25
	The valve control knob isn't pushed in.....	See "Starting the Pilot Flame" Pg 25
	The igniter wasn't pressed repeatedly.....	See "Starting the Pilot Flame" Pg 25
Main Burners Will Not Start	The pilot flame has gone out.....	See "Starting the Pilot Flame" Pg 25
	The gas control valve is turned to "PILOT" or "OFF".....	See "Starting the Pilot Flame" Pg 25
	The ON/OFF switch is turned to "OFF".....	Turn the ON/OFF switch to "ON"
	The remote control is not working correctly.....	Replace the batteries
	The thermostat is disconnected or set too high.....	Set the thermostat to a lower temperature
Remote Control Does Not Work	The pilot light has gone out.....	See "Starting the Pilot Flame" Pg 25
	The gas control valve is turned to "PILOT" or "OFF".....	See "Starting the Pilot Flame" Pg 25
	The ON/OFF switch is turned to "OFF".....	Turn the ON/OFF switch to "ON"
	The remote is too far away from the stove.....	Use the remote closer to the stove
	The remote control receiver is turned "OFF".....	Switch receiver to "ON" or "REMOTE"
	One of the two remote control batteries is dead.....	See "Remote Control Operation"
Thermostat Does Not Work	The pilot flame has gone out.....	See "Starting the Pilot Flame" Pg 25
	The gas control valve is turned to "PILOT" or "OFF".....	See "Starting the Pilot Flame" Pg 25
	The ON/OFF switch is turned to "OFF".....	Turn the ON/OFF switch to "ON"
	The thermostat is set too high.....	Set the thermostat to a lower temperature
Blower Does Not Operate	The stove is not getting electricity.....	Check the outlet switch
	The stove is not up to temperature.....	See "Operating Your Stove"
Flames Are Too Blue	The stove has just been started.....	This is normal - see "Starting the Stove for the First Time"
Flames Are Too Short (Under 6")	The flame height may be turned too low.....	Turn the flame height to "HI" - See "Adjusting the Flame Height"

How this Stove Works

- ! This stove was designed with safety as the primary concern. Many of the components inside this stove are for safety purposes. Therefore, only certified gas service technicians should service this stove.

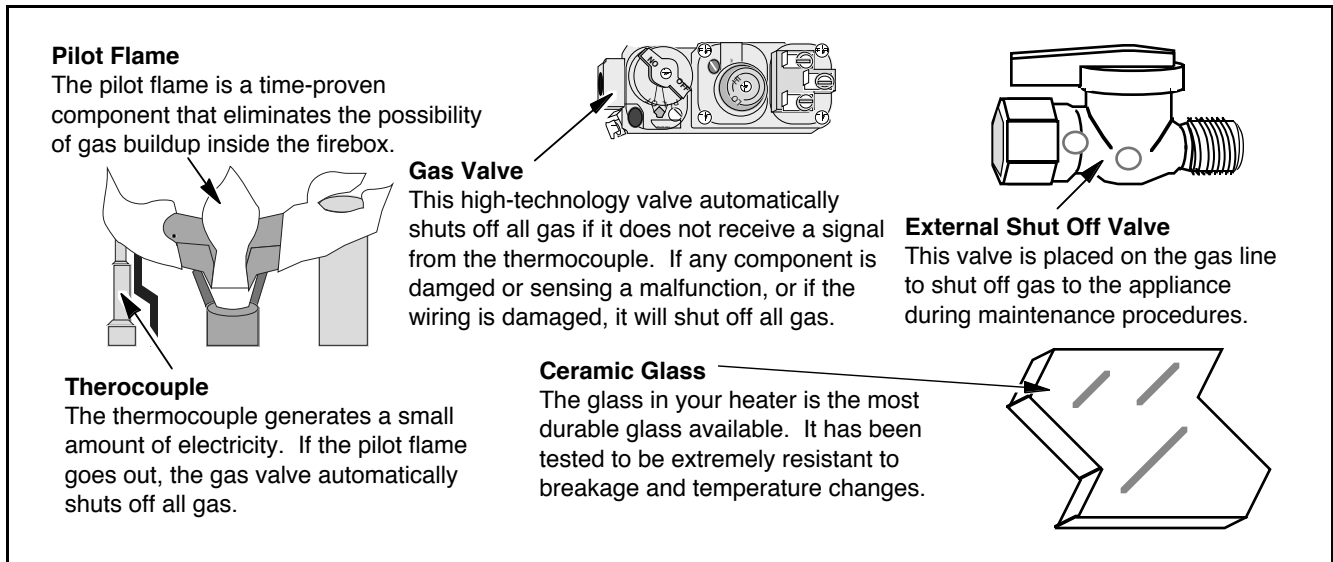
What Turns the Main Burners On and Off

This stove uses a millivolt system to control its operation (a millivolt is a very small amount of electricity). The thermopile and thermocouple generates electricity when heated by the pilot flame. This electricity is used to operate the gas valve. Without enough electricity, the gas valve will not turn on. That is why when starting the pilot the gas control knob has to be pressed in long enough for the thermocouple to heat up and generate enough electricity. The thermopile provides power for the ON/OFF switch, remote control, or thermostat (see the illustration below). Because the thermopile generates the electricity needed to turn the stove on and off, this stove can be operated when the power is out (although the blower will not run).



What Prevents Gas Buildup

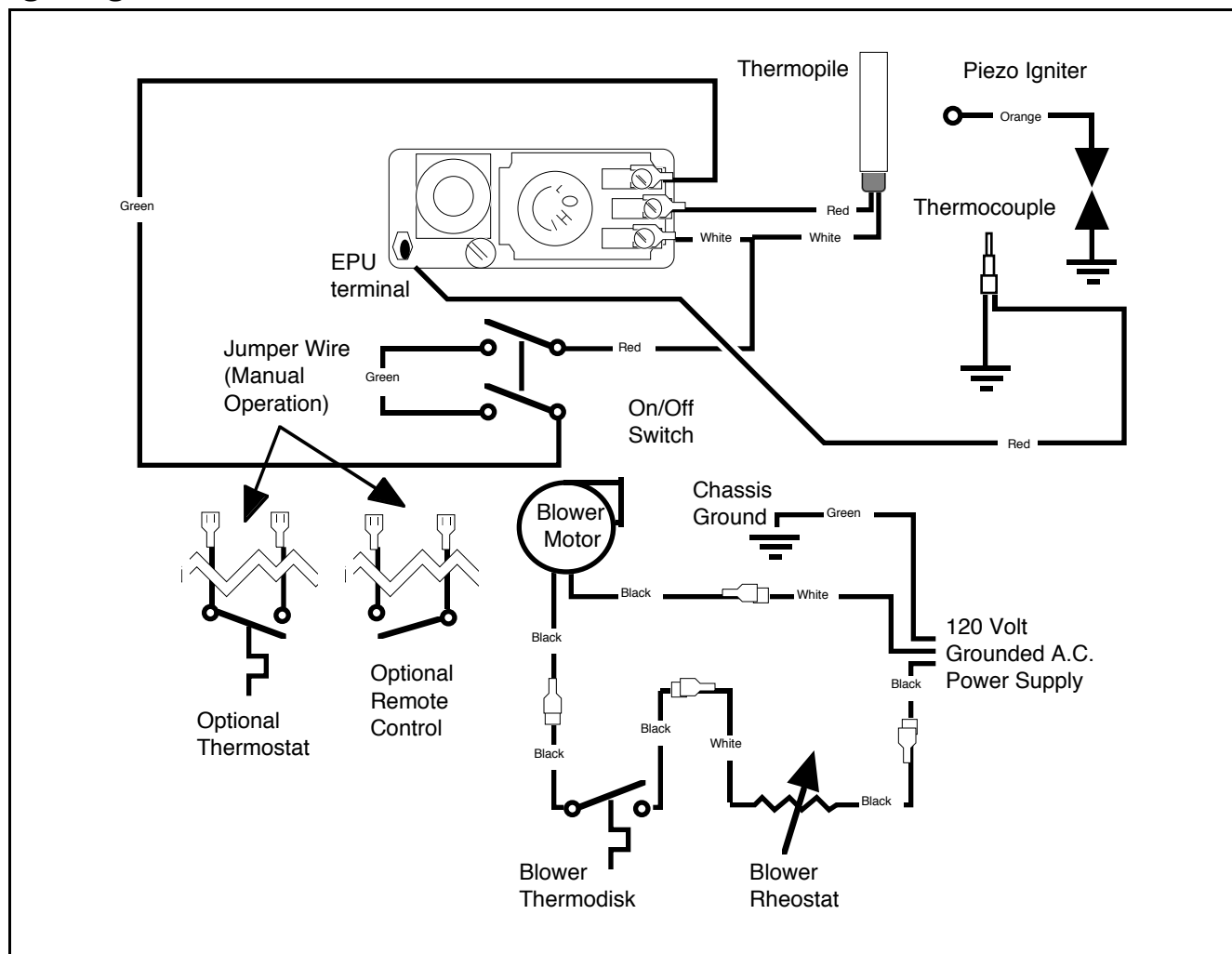
- + This appliance utilizes a high-technology gas valve in conjunction with a pilot flame to ensure no gas builds up inside the firebox.
- + **While the main burner is off** the thermocouple (next to the pilot) senses when the pilot flame is lit. If the pilot flame goes out, this thermocouple no longer generates electricity, causing the gas valve to automatically shut off all gas to the stove, preventing the pilot from spilling gas into the firebox.
- + **While the main burner is on** the pilot flame insures all gas ignites inside the firebox.



Why Nothing Should Be Placed Against the Stove

For safety and operation purposes, do not place any object against the appliance.

Wiring Diagram



Replacement Parts List

Replacement parts are available at your dealer. Contact Travis Industries for information on the closest dealer. The parts listed below are the only parts that the consumer may replace. All other parts must be replaced by a qualified gas service person.

PART	Part description
Glass Gasket	Black 5/8" wide, 1/8" thick Self-Adhesive Fiberglass
Door Glass	5 mm neoceram - 3 pieces
Glass Clips	6 Clips
Log Set (includes coals)	Front and back log, left and right twig, and coals
Owner's Manual	This document

TRAVIS INDUSTRIES, INC. warrants the AVANTI DV gas appliance to be defect-free in material and workmanship for five (5) years from the date of purchase, with the exception of the porcelain enamel finish, gold finish, glass, paint, electrical components, switches, piezo igniter, fans, gaskets, logs, moving parts, gas valve, manifold, and burner pan. This does not include service call cost or any other additional charges. Check with your dealer for all costs if arranging a warranty call. The exceptions listed are warranted for one (1) year from the date of purchase to be defect-free in material and workmanship, with the exception of the porcelain enamel finish, gold finish, glass and paint, which are not covered by the warranty.

Exclusions to this limited warranty include: Injury malfunction to the product, loss, damage, defect, failure to function due to accident, negligence, misuse, improper installation, alteration or adjustment of the manufacturers settings of components, lack of proper and regular maintenance, damage incurred while the unit is in transit, alteration, or act of God.

This limited warranty excludes damage caused by normal wear and tear, such as paint discoloration or chipping, worn or torn gasketing, eroded or cracked logs, ember strip, etc. Also excluded is damage to the unit caused by abuse, improper installation, modification of the unit, drilling of the orifices, or the use of fuel other than that indicated on the safety label (natural gas or propane).

TRAVIS INDUSTRIES, INC. is free of liability for any damages caused by the unit, as well as inconvenience expenses, material and labor charges incurred by the removal or reinstallation of any AVANTI DV unit. Incidental or consequential damages are not covered by this warranty. In some states, the exclusion of incidental or consequential damage may not apply.

This warranty does not cover any loss or damage incurred by the use or removal of any component or apparatus to or from the AVANTI DV unit without the express written permission of TRAVIS INDUSTRIES, INC. and bearing a TRAVIS INDUSTRIES, INC. label of approval.

Any statement or representation of AVANTI DV products and their performance contained in AVANTI DV advertising, packaging literature, or printed material is not part of this limited warranty.

This warranty is automatically voided if the unit's serial number has been removed or altered in any way.

Only the original purchaser of an AVANTI DV stove is covered by this warranty. If the unit is used for commercial purposes, it is excluded from this warranty.

No dealer, distributor, or similar person has the authority to represent or warrant AVANTI DV products beyond the terms contained within this warranty. TRAVIS INDUSTRIES, INC. assumes no liability for such warranties or representations.

THIS LIMITED WARRANTY IS THE ONLY WARRANTY SUPPLIED BY TRAVIS INDUSTRIES, INC., THE MANUFACTURER OF THE UNITS. ALL OTHER WARRANTIES, WHETHER EXPRESS OR IMPLIED, ARE HEREBY EXPRESSLY DISCLAIMED AND PURCHASER'S RECOURSE IS EXPRESSLY LIMITED TO THE WARRANTIES SET FORTH HEREIN.

This warranty is limited to the time frame set forth above. In some states, time limitations on warranties do not apply.

HOW TO USE YOUR AVANTI DV FIVE-YEAR WARRANTY: If you find your unit to be defective in workmanship or material within a 5-year period from the date of purchase contact your local authorized AVANTI DV dealer. If your dealer is unable to repair your unit's defect, he may process a warranty claim through TRAVIS INDUSTRIES, INC., including the name of the dealership where you purchased the unit, a copy of your receipt showing the date of the unit's purchase, and the serial number on your unit. At that time, you will be asked to ship your unit, freight charges prepaid, to TRAVIS INDUSTRIES, INC. TRAVIS INDUSTRIES, INC., at its option, will repair or replace, free of charge, your AVANTI DV unit if it is found to be defective in material or workmanship within the time frame stated within this limited warranty. TRAVIS INDUSTRIES, INC. will ship your unit, freight charges prepaid by TRAVIS INDUSTRIES, INC., to your regional distributor, or dealership.

To register your TRAVIS INDUSTRIES, INC. Five-Year Warranty, complete the enclosed warranty card and mail it within ten (10) days of the unit purchase date to: TRAVIS INDUSTRIES, INC., 10850 117th Place N.E., Kirkland, Washington 98033.

OTHER RIGHTS:

This warranty provides you with certain legal rights. You may have additional rights, which vary from state to state, in regards to this warranty.

Unit Serial Number _____

Date of Purchase _____


Dealer Name and Address _____

Complete and
save for your
records

Travis Industries, Inc. reserves the right to change, without notice, product features or specifications described.



The safety label can be found on a card that is chained to the unit behind the control cover. A copy is shown below.



Avanti DV

Listed Gas-Fired Direct Vent Wall Furnace

WH-

Tested to ANSI Z21.446-1993 "Gas-Fired Direct Vent Wall Furnace", CAN/CGA IR #41, CAN/CGA #55, and CAN/CGA-2.17-M91 "Gas-Fired Appliances for use at High Altitudes" (Report #1198, September, 1995)

Must be installed in accordance with all local codes, if any: if not, follow ANSI Z223.1-1992, NFPA 54(88), the Manufactured Home Construction and Safety Standard, Title 24 CFR, Part 3280, or the Canadian CAN1-B149 Installation Code and the requirements listed in the accompanying owner's manual.

WARNING:
 Use Simpson Dura-Vent direct vent system (model GS) to vent this appliance to the exterior (direct discharge only without duct connection).
 Improper installation, adjustment, alteration, service or maintenance can cause injury or property damage. Refer to the information in the owner's manual provided with this appliance. For assistance or additional information consult a qualified installer, service agency or the gas supplier.
 Risk of electrical shock. Switch the household breaker off or remove fuse before servicing unit.

<p>Fan Type Vented Circulator</p> <p>Blower Electrical Rating: 115 V., 1.5 Amps, 60 Hz, 150 watts</p> <p>Thermal Efficiency..... 81.5% (natural gas) 83.3% (propane)</p> <p>Output Capacity Rating... 25,265 (natural gas) 25,823 (propane)</p>	<p>Manufacture <input type="checkbox"/> 1995 <input type="checkbox"/> Jan. <input type="checkbox"/> Apr. <input type="checkbox"/> Jul.</p> <p>Date: <input type="checkbox"/> 1996 <input type="checkbox"/> Feb. <input type="checkbox"/> May <input type="checkbox"/> Aug.</p> <p><input type="checkbox"/> 1997 <input type="checkbox"/> Mar. <input type="checkbox"/> Jun. <input type="checkbox"/> Sep.</p>
--	---

Minimum Clearances to Combustibles

Unit to Sidewall.....	10"	Alcove Min. Width.....	44-1/2"
Unit to Backwall.....	3"	Alcove Min. Height.....	58"
Unit to Cornerwall.....	4"	Alcove Max. Depth.....	48"
Front of Unit.....	36"		


For Use With: Natural Gas (NG) Propane (LP)

	NG	LP
Input Rate on "HI" (BTU/Hr)*.....	31,000	31,000
Input Rate on "LO" (BTU/Hr)*.....	18,000	17,000
Maximum Output (BTU/Hr).....	25,265	25,823
Main Burner Orifice Size	#37 DMS	.0625"
Min. Inlet Pressure (inches W.C.).....	5.5	11.5
Max. Inlet Pressure (inches W.C.).....	7	14
Manifold Pressure HI (inches W.C.).....	3.5	11
Manifold Pressure LO (inches W.C.).....	1	2.7

Oct.

Nov.

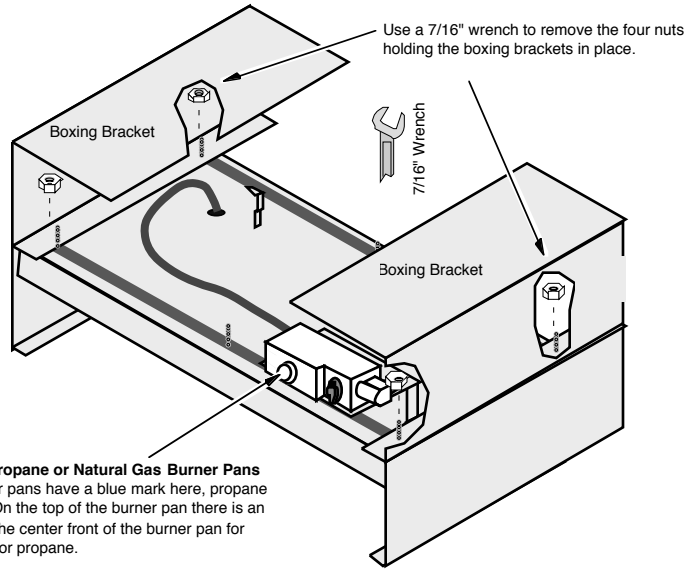
Dec.



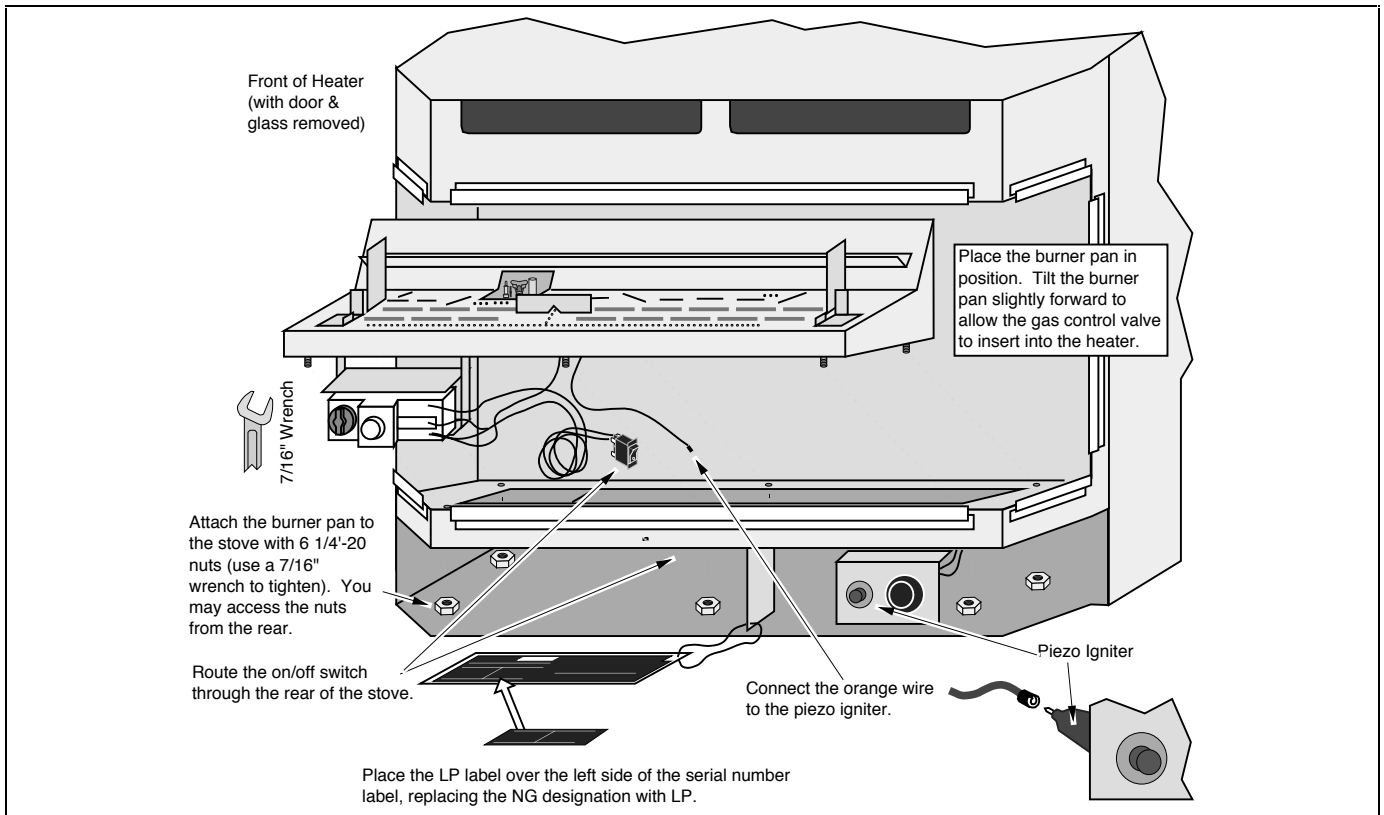
Travis Industries, Inc.
 10850 117th Place N.E. - Kirkland, WA 98033

Propane (LP) Burner Pan (Part # 98900740)

- 1 Remove the LP burner pan from the packaging and remove the two screws holding the boxing brackets in place with a 5/16" nutdriver. Keep the packaging, boxing brackets, and screws. They are used to ship the natural gas (NG) burner pan back to Travis Industries.
- 2 Remove the door and glass from the heater (see page 6 and 20).
- 3 Using a phillips-head screwdriver, remove the 5 screws holding the natural gas (NG) burner pan in place. Lift it up and rotate it forward to remove it from the firebox. Attach the boxing brackets to it with the screws removed in step 1 and place it inside the LP burner pan packaging.
- 4 Place the LP label over the left side of the serial number label, thus replacing the NG designation with the LP designation (NOTE: this label is attached by a chain to the heater - see the illustration).
- 5 Install the LP burner pan by rotating it into position. Replace the five screws removed in step 4 and tighten. Connect the orange wire to the piezo igniter. Replace the glass (see page 22)



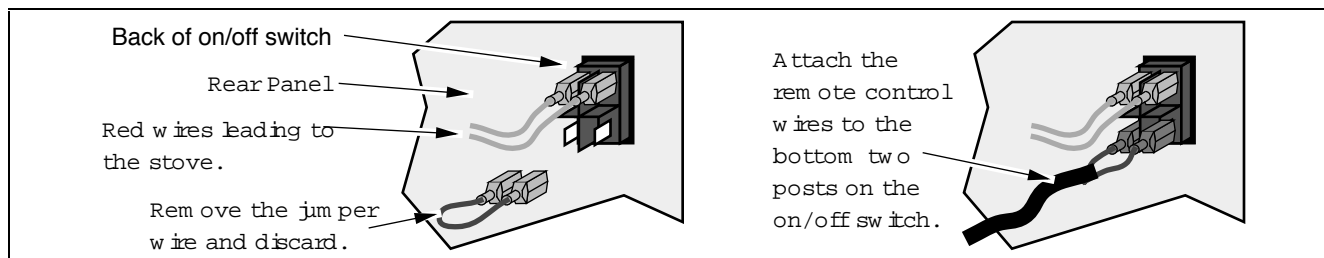
Distinguishing Propane or Natural Gas Burner Pans
 Natural gas burner pans have a blue mark here, propane has a red mark. On the top of the burner pan there is an "NG" stamped in the center front of the burner pan for natural gas, "LP" for propane.



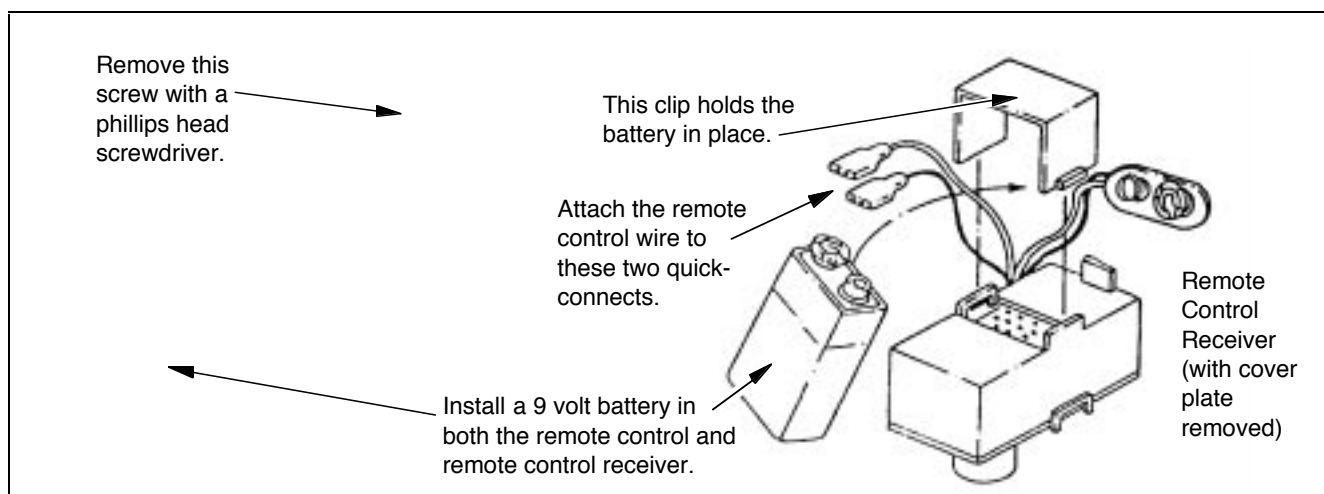
- 6 Fill in the PRA form included with the kit. Remember to **include the serial number of the heater**. Then ship it, along with the un-burned NG burner pan, to Travis Industries for credit.
 - No credit will be issued if the NG burner pan is damaged, incomplete, or if it was burned.
 - Incomplete PRA forms will delay credit.

Remote Control (Part # 99300651)

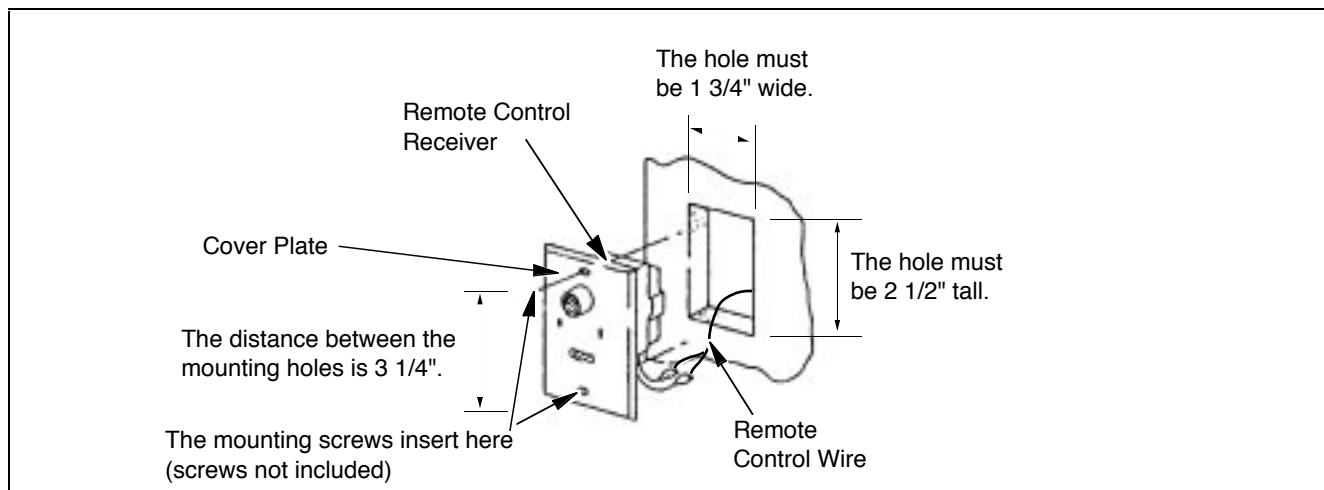
- ! Do not connect 110-120 VAC to the gas control valve or wiring system of this unit.
- 1 The rear panel must be removed and the on/off switch installed prior to installing the remote control (see page 9 for details). Remove and discard the jumper wire on the on/off switch. Connect the two female (black) connectors on the remote control wire to the two posts the jumper wire was attached to.



- 2 Route the remote control wire through the gas inlet hole and pull through all the slack (you may wish to wrap the wire in electrical tape where it passes through the heater to prevent damage to the wire). Attach the rear panel (see page 9 for details).
- 3 Turn the gas control valve to "OFF". Install a standard 9 volt battery into both the remote control receiver and remote control.

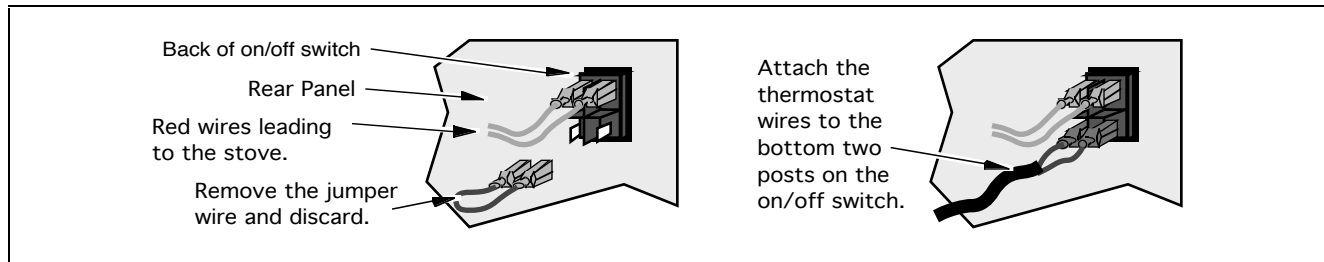


- 4 Choose a location for the remote control receiver that is near the heater so that it may be reached with the 50' length of remote control wire. Cut a 1-3/4" wide by 2-1/2" tall hole into the wall for the remote control receiver. Route the remote control wire to the remote control receiver (the wire may be routed externally on the wall or behind the wall). Attach the remote control wire to the remote control receiver by inserting the quick-connects together.

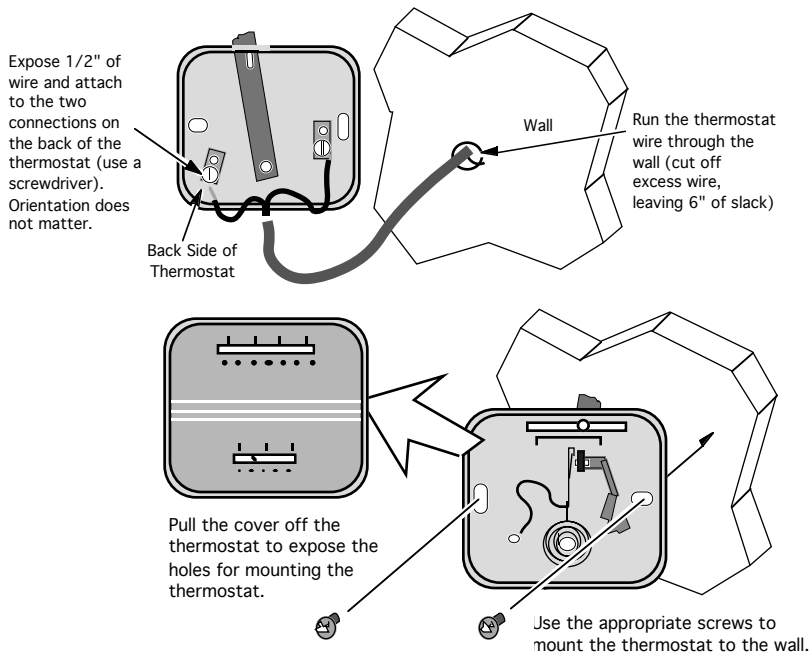


Thermostat (Part # 99300650)

- ! Do not connect 110-120 VAC to the gas control valve or wiring of this unit.
- 1 The rear panel must be removed and the on/off switch installed prior to installing the remote control (see page 9 for details). Remove and discard the jumper wire on the on/off switch. Connect the two female connectors on the thermostat wire to the two posts the jumper wire was attached to.

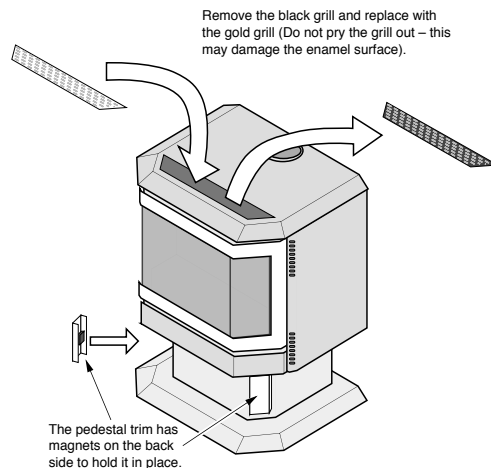


- 2 Route the remote control wire through the gas inlet hole and pull through all the slack (you may wish to wrap the wire in electrical tape where it passes through the heater to prevent damage to the wire). Attach the rear panel (see page 9 for details).
- 3 Choose a location for the thermostat that is centralized in the room and away from the heater, yet may be reached with the 50' length of thermostat wire. Route the thermostat wire to this location. The wire may be routed externally on the wall or behind the wall (preferred).
- 4 Cut the thermostat wire so there is approximately 6" of slack (NOTE: Do not splice thermostat wires together—this leads to too much electrical resistance). Expose 1/2" off each wire of the thermostat wire. Attach the exposed wire to the clips on the back of the thermostat using a screwdriver.
- 5 Pull the cover off the thermostat. Place the thermostat in location and attach it to the wall through the two obround holes (use the appropriate screws for the type of wall it is being attached to). Replace the cover on the thermostat to complete the installation.



Avanti Gold Trim (Part # 99200116)

- 1 Install the stove shell prior to installing the gold trim.
- 2 Place the pedestal trim against the pedestal. Slide the trim until it is aligned. The magnets on the back of the trim will hold them in place.
- 3 Remove the black grill from the upper stove top. Replace with the gold grill.
- ! Do not pry the grill out – this may cause chipping or cracking on enamel surfaces.



ADDENDUM #1 Altitude Considerations

This stove has been tested at altitudes ranging from sea level to 8,000 feet. In this research, we have found that the stove, with its standard orifice, burns correctly with just an air shutter adjustment. This testing, however, does not guarantee that every installation will work correctly. Compounding forces, including gas BTU level, vent configuration, ambient temperature and altitude, may lead to improper combustion inside the stove. For those stoves that burn excessively tall (flames touch the firebox ceiling) or sooty, additional modifications may be necessary. Contact your dealer for instructions.

! Failure to remedy incorrect combustion may lead to an extreme safety hazard or decreased durability of the stove.

ADDENDUM #2 Class A Chimney Conversion Kit

Simpson Duravent provides a conversion kit for those wishing to use an existing wood stove chimney to vent this direct vent stove. The illustration below gives an overview of this type of installation. See the instructions included with the kit for details.

! The conversion kit does not work on "thru-the-wall" chimney systems.

! Do not exceed the maximum vertical rise (see the section "Acceptable Vent Configurations" starting on page 16) allowable. Remember to set the restrictor position to the correct position (based upon the vertical rise height - see the chart on page 16).

Chimney Conversion Kit A (# 974)

Metalbestos 6" I.D.
Security Chimneys 6" I.D.
Jacks-Evans 6" I.D.
Hart & Cooley 6" I.D.
Pro-Jet 6" I.D.

Chimney Conversion Kit B (# 975)

Simpson Dura-Vent 6" I.D.
Air-Jet 6" I.D.
Metal-Fab 6" and 7" I.D.
American Metals 6" and 7" I.D.
Metalbestos 7" and 8" I.D.
Jacks-Evans 7" and 8" I.D.
Hart & Cooley 7" and 8" I.D.
Pro-Jet 7" and 8" I.D.
Security Chimneys 8" I.D.

Chimney Conversion Kit C (# 976)

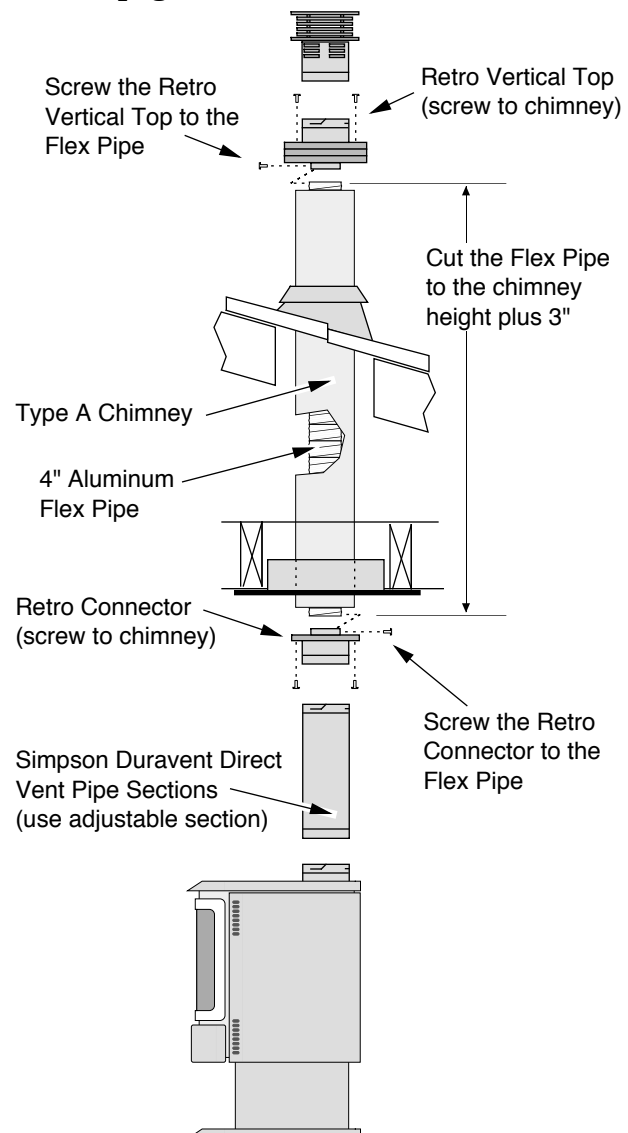
Simpson Dura-Vent 7" and 8" I.D.
American Metals 8" I.D.
Air-Jet 8" I.D.
Metal-Fab 8" I.D.
American Metals 8" I.D.

Each Kit Contains:

Retro Connector
15' Heavy Duty Aluminum Flex
Retro Vertical Cap Adapter
Vertical Termination Cap

Additional Equipment

Flex Coupler (#751)
5' Flex Extension (#701)
15' Flex Extension (#7015)



Adjusting the Blower Speed	27	Lifting Flames	23
Adjusting the Flame Height	26	Listing Label (Safety Label)	33
AFUE	5	Log Installation	21
Air Shutter Adjustment	23	Maintaining Your Stove's Appearance	28
Alcoves	11	Manifold Pressure	12
Altitude Considerations	37	Maximum Horizontal Vent Length	17,18
Amperage (of blower)	5	Maximum Vent Height (no elbows or 2 45° elbows)	16
Blower Speed	27	Natural Gas Verses Propane Stove	2
BTU Output	5	On/Off Operation	26
Burn Rate	5	On/Off Switch (Location)	24
Burner Pan Installation	34	Operating Sounds	27
Cap (vent termination)	19	Order of Installation	6
Class A Chimney Conversion Kit	37	Packing Lists	6
Cleaning Your Stove	28	Paint Curing (see "Starting Your Stove for the First.." ..	26
Clearances (from stove)	11	Pedestal Attachment	7
Clearances (from vent - 1")	13	Pilot (starting)	25
Condensation	26	Pilot Flame (Location)	24
Controls	24	Porcelain Cleaning (see "Cleaning Your Stove")	28
Dimensions	5	Pressure (of gas)	12
Door Removal	6	Purging Gas Line (with glass off)	12
Efficiency	5	Remote Control Installation	35
Elbows	15	Replacement Parts List	31
Electrical Connection	19	Required Components for Installation	6
Electrical Specifications	5	Restrictor Adjustment	14
Emissions	5	Restrictor Position	14
Flame Height (on high should be 8" - 11")	23	Safety Label	33
Floor Protection Requirements	11	Safety Precautions	2
Fuel	5	Silicone Vent Sections	13
Fumes	26	Snorkel Terminations	13,15
Gas Control Valve (Location)	24	Sounds	27
Gas Inlet Installation	10	Starting The Pilot Flame	25
Gas Leak	See Inst. on Cover	Starting the Stove for the First Time	26
Gas Line Connection	12	Stove Placement Requirements	11
Gas Line Installation	12	Stove Shell Assembly	7
Gas Smell	See Inst. on Cover	Table of Contents	4
Glass Installation	20,22	Thermostat Installation	36
Glass Removal	20	Troubleshooting Table	29
Gold Cleaning (see "Cleaning Your Stove")	28	Vent Configurations	14
Gold Trim Kit	37	Vent Part #'s	13
Heating Capacity	5	Vent Requirements	13
High Wind Vertical Terminations	19	Vertical Vent Termination Requirements	19
Horizontal Vent Termination Requirements	19	Warranty	32
How to Measure Vent Lengths	14	Water (on glass - see starting the stove)	26
Installation Options	5	Wind (High Wind Vertical Termination)	19
Installation Preparation	6	Wiring Diagram	31
Leaking Gas	See Inst. on Cover	Yearly Service Procedure	28