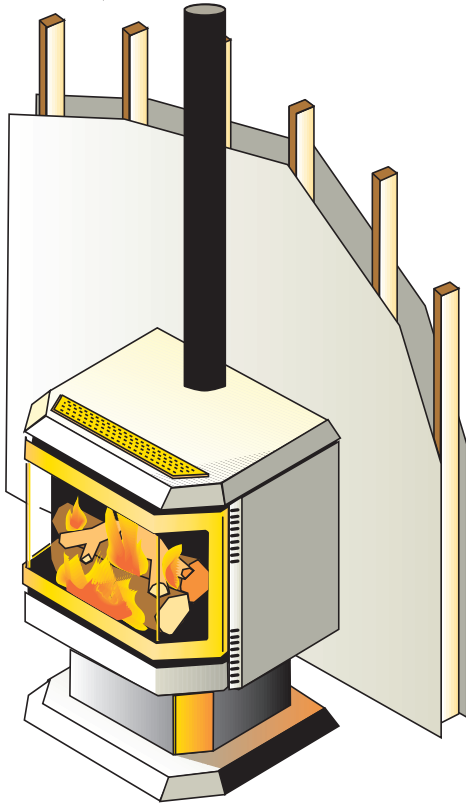


AVANTI

By Avalon



B-Vent Gas Stove and Fireplace Insert

- Freestanding Stove
- Masonry Fireplace Insert
- Factory Built (Z.C.) Fireplace Insert



WARNING: Improper installation, adjustment, alteration, service or maintenance can cause injury or property damage. Refer to this manual. For assistance or additional information consult a qualified installer, service agency, or the gas supplier.

- Do not store or use gasoline or other flammable vapors and liquids in the vicinity of this or any other appliance.
- Installation must be performed by a qualified installer, service agency or the gas supplier

IF YOU SMELL GAS

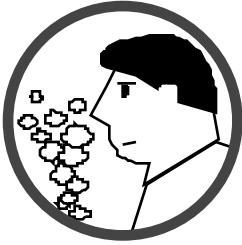
- Do not try to light any appliance.
- Do not touch any electrical switch; do not use any phone in your building.
- Immediately call gas supplier from a neighbor's phone. Follow the gas supplier's instructions.
- If you cannot reach your gas supplier, call the fire department.

AVANTI B-VENT GAS HEATER

- September, 1995 -

Installer: After installation give this manual to the homeowner and explain operation of this heater.

 **Travis Industries, Inc.**
10850 117th Place N.E. Kirkland, WA 98033

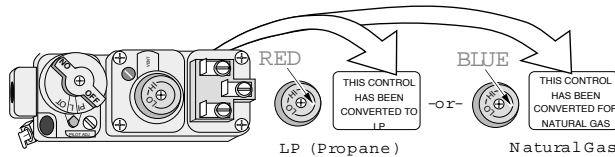
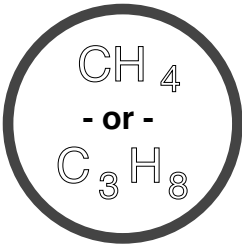


• IF YOU SMELL GAS:

- * Do not light any appliance
- * Extinguish any open flame
- * Do not touch any electrical switch or plug or unplug anything
- * Open windows and vacate building
- * Call gas supplier from neighbor's house, if not reached, call fire department



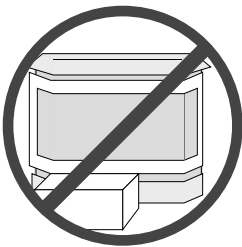
- This unit must be installed by a qualified installer to prevent the possibility of an explosion. Your dealer will know the requirements in your area and can inform you of those people considered qualified. The room heater should be inspected before use and at least annually by a qualified service person. More frequent cleaning may be required due to excessive lint from carpeting, bedding material, etc.
- The instructions in this manual must be strictly adhered to. Do not use makeshift methods or compromise in the installation. Improper installation will void the warranty and safety listing.
- This heater is either approved for natural gas (NG) or for propane (LP). Burning the incorrect fuel will void the warranty and safety listing and may cause an extreme safety hazard. Direct questions about the type of fuel used to your dealer. Check the label and flame adjust knob on the gas control valve.



- Contact your local building officials to obtain a permit and information on any installation restrictions or inspection requirements in your area. Notify your insurance company of this heater as well.



- If the flame becomes sooty, dark orange in color, or extremely tall, do not operate the heater. Call your dealer and arrange for proper servicing.



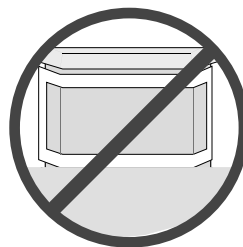
- It is imperative that control compartments, screens, or circulating air passageways of the heater be kept clean and free of obstructions. These areas provide the air necessary for safe operation.



- Do not operate the heater if it is not operating properly in any fashion or if you are uncertain. Call your dealer for a full explanation of your heater and what to expect.



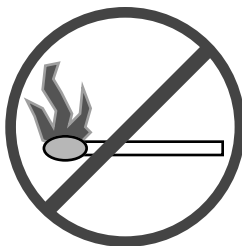
- Do not store or use gasoline or other flammable liquids in the vicinity of this heater.
- Keep all furniture or other combustible items at least 36" away from the front of the heater.



- Do not operate if any portion of the heater was submerged in water or if any corrosion occurs.



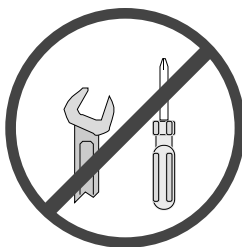
- Do not place clothing or other flammable items on or near the heater. Because this heater can be controlled by a thermostat there is a possibility of the heater turning on and igniting any items placed on or near it.



- Light the heater using the built-in piezo igniter. Do not use matches or any other external device to light your heater.



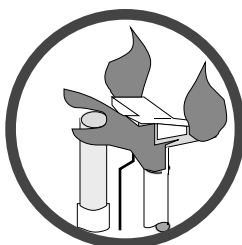
- The viewing glass should be opened for service only (see the maintenance section of this manual).
- Any safety screen or guard removed for servicing must be replaced prior to operating the heater.



- Never remove, replace, modify or substitute any part of the heater unless instructions are given in this manual. All other work must be done by a trained technician. Don't modify or replace orifices.



- Operate the heater according to the instructions included in this manual.
- If the main burners do not start correctly turn the gas off at the gas control valve and call your dealer for service.



- Allow the heater to cool before carrying out any maintenance or cleaning.
- The pilot flame must contact the thermopile and come off both ends of the pilot hood when turned on. If it does not, turn the gas control valve to "OFF" and call your dealer.



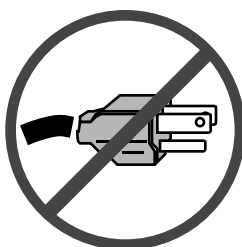
- This unit is not for use with solid fuel
- Do not place anything inside the firebox (except the included fiber logs).
- If the fiber logs become damaged, replace with Travis Industries log set.



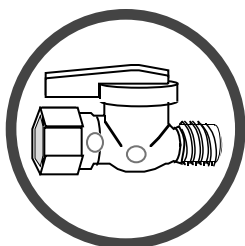
- Do not throw this manual away. This manual has important operating and maintenance instructions that you will need at a later time. Always follow the instructions in this manual.



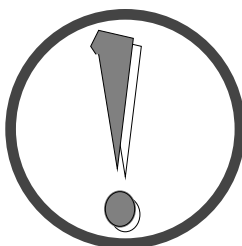
- Do not touch the hot surfaces of the heater. Educate all children of the danger of a high-temperature heater. Young children should be supervised when they are in the same room as the heater.



- Plug the heater into a 115 V. grounded electrical. Do not use an adapter plug or remove the grounding plug.
- Don't route the electrical cord in front of or over the heater



- Instruct everyone in the house how to shut gas off to the appliance and at the gas main shutoff valve. The gas main shutoff valve is usually next to the gas meter or propane tank and requires a wrench to shut off.



- **Travis Industries, Inc. grants no warranty, implied or stated, for the installation or maintenance of your heater, and assumes no responsibility of any consequential damage(s).**

General Information

Introduction & Important Information 1
 Safety Precautions..... 2
 Features & Specifications..... 5

Stove Installation

Installation Preparation 6
 Packing Lists 6
 Order of Installation 6
 Pedestal Assembly 6
 Stove Panel Assembly 7
 Installing the Gas Inlet 10
 Floor Protection 11
 Heater Placement Requirements..... 11
 Gas Line Install 12
 Vent Requirements 14
 Vent Termination Requirements 15
 Electrical Connection 15

Insert Installation

Installation Preparation 16
 Packing Lists 16
 Order of Installation 16
 Installing the Gas Inlet 16
 Switching the Power Cord to the Left Side 17
 Insert Placement..... 17
 Floor Protection 18
 Gas Line Install..... 18
 Vent Requirements..... 20
 Surround Panel Installation 21
 Insert Shell Installation..... 22

Finalizing the Installation

Steps for Finalizing the Installation 23
 1 Removing the Door 23
 2 Accessing the Firebox 23
 3 Installing the Logs and Coals 24
 4 Glass Sealing 25
 5 Purge the Gas Line 25
 6 Adjust the Air Shutter..... 25
 7 Check the Draft 26
 8 Check the Pilot Flame 26
 9 Check the Flame Height..... 26
 10 Explain Heater Operation to Owner... 26

Operating Your Heater

Before You Begin..... 27
 Location of Controls..... 27
 Starting The Pilot 28
 Starting the Heater for the First Time 29
 Turning the Heater On and Off 29
 Adjusting the Flame Height..... 29
 Adjusting the Blower Speed..... 30
 Normal Operating Sounds 30

Maintaining Your Heater

Maintaining Your Stove's Appearance..... 31
 Cleaning Your Stove 31
 Yearly Service Procedure 31

Troubleshooting

Troubleshooting Table 32
 How this Heater Works 33
 What Turns the Main Burners
 On and Off 33
 What Prevents Gas Buildup..... 33
 Why Nothing Should Be Placed
 Against the Heater 34
 Wiring Diagram 34
 Replacement Parts List 34

Warranty

Warranty 35

Listing Information

Safety Label 36

Optional Equipment

Remote Control..... 37
 Thermostat..... 38
 Avanti Gold Trim 38
 Avanti LP (Propane) Burner Pan 39
 45° Flue Adapter 41

Index

Index 42

Symbols Used in this Manual

The illustration below details what the symbols used along the left margin indicate.



Installation Options:

- Freestanding
- Masonry Fireplace Insert
- Zero-Clearance (Metal) Fireplace Insert

Features:

- Works During Power Outages (millivolt system)
- High Efficiency; 80% Natural Gas, 82% LP (Steady State)
- Optional Thermostat or Remote Control
- Realistic "Wood Fire" Look
- Convenient Operating Controls
- Variable-Rate Heat Output
- Quiet Blower for Effective Heat Distribution
- Low Maintenance

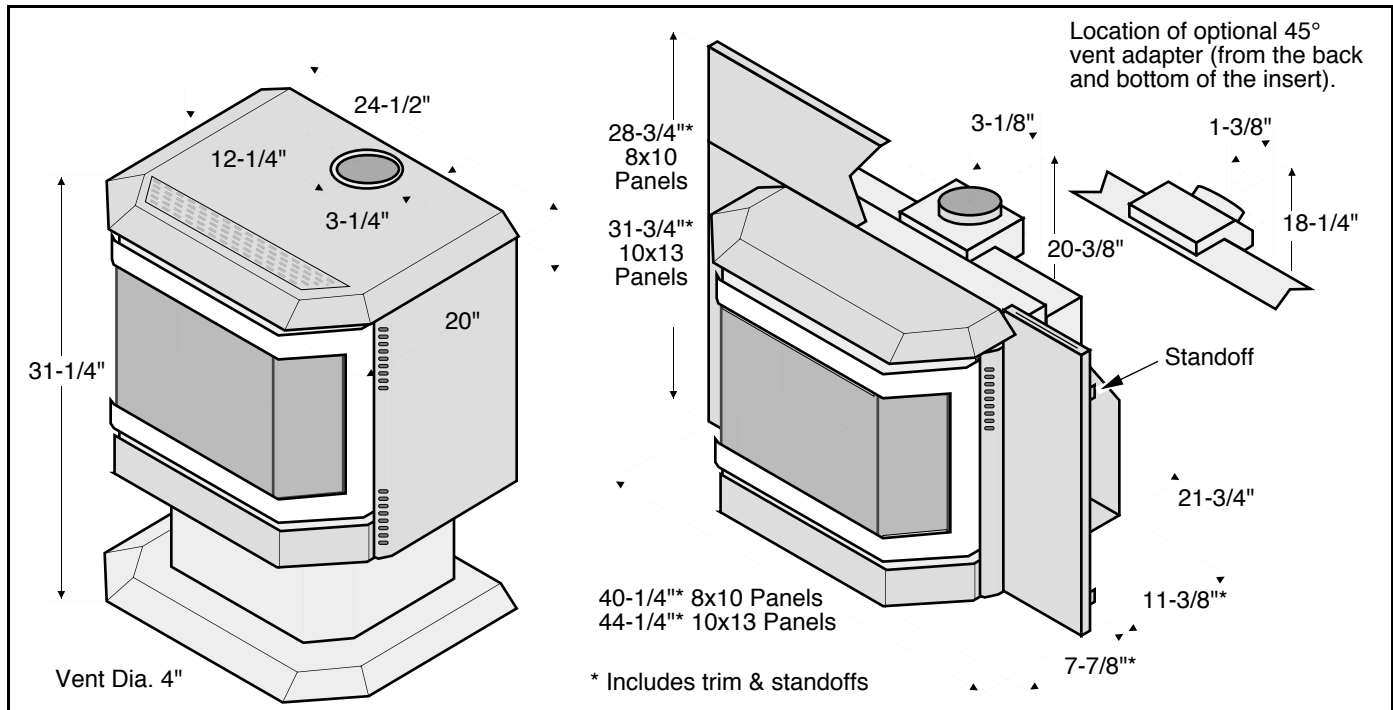
Heating Specifications:

Approximate Heating Capacity (in square feet)*
 High Burn Input Rate (In BTU's)
 Low Burn Input Rate (In BTU's)
 Efficiency**
 AFUE (Annual Fuel Utilization Efficiency)

Natural Gas	LP (Propane)
600 - 1600	600 - 1600
31,000	31,000
18,000	17,000
80%	82%
70%	70%

* Heating capacity will vary with the home's floor plan and insulation, natural gas or Propane BTU rating, and outside temperature.
 ** Efficiency rating is a product of thermal efficiency rating determined under continuous operation independent of installed system. To measure the net BTU's, multiply the BTU input by the efficiency percentage (80% for natural gas, 82% for LP).

Dimensions



Fuel:

The heater is designed either for natural gas or for propane (but not for both). Check the sticker on the top of the gas control valve.

Emissions:

This unit has passed the ANSI emission standards for vented room heaters as tested by Warnock Hersey, LTD.

Electrical Specifications:

115 Volts, 1.3 Amps, 60 Hz (150 watts on high)

Installation Preparation

- ! This appliance must be installed in accordance with all local codes, if any; if not, follow ANSI Z223.1 and the requirements listed in this manual. Failure to follow all of the requirements may result in property damage, bodily injury, or even death.
- ! Notify your insurance company before hooking up this heater.
- ! The requirements listed below are divided into sections. All requirements must be met simultaneously. The order of installation is not rigid – the qualified installer should follow the procedure best suited for the installation.

Items Packed with the Heater

- Avanti Gas Heater (with gold door)
- On/Off Switch (with jumper wire attached)
- Log Set (2 Logs, 2 Twigs, Coals)
- Owner's Manual
- 2 Gas Inlet Pipes (the longer one is for stoves)

Items Packed with the Stove Panel Kit

- Top, Left, Right, and Rear Stove Panels
- Control Cover
- Black Grill
- Eight 10-32 Hex Nuts with Attached Lock Washers
- Two 10-24 Pan Head Screws
- Fourteen 10-24 Self-Tapping Screws
- Nine U-Nuts
- Two 6" strips of self-adhesive gasket
- Gas Line Plate
- Left & Right Forward Mounting Brackets

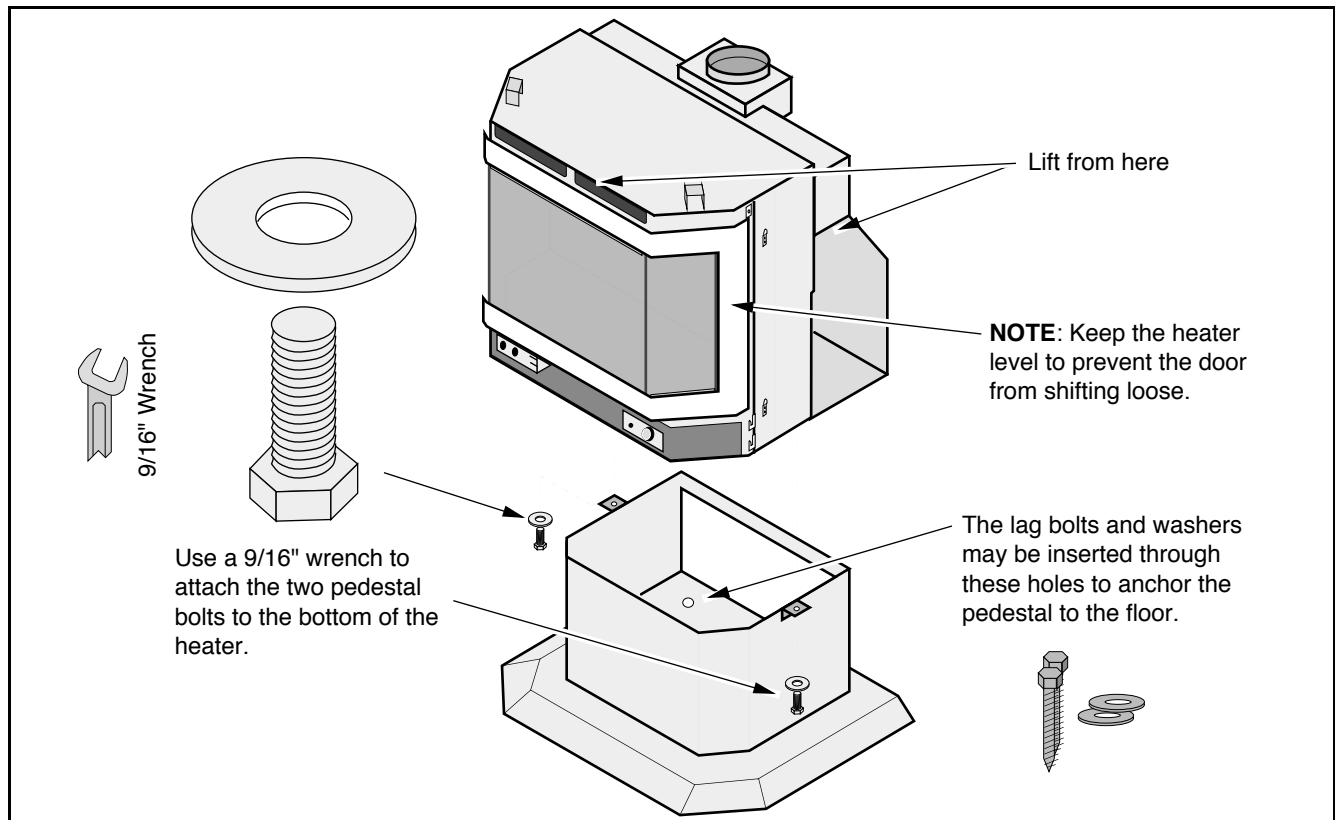
Items Packed with the Pedestal Kit

- Pedestal
- Two 3/8 x 3/4" Bolts
- Two Washers
- Two Lag Bolts (these may be discarded)

Order of Installation

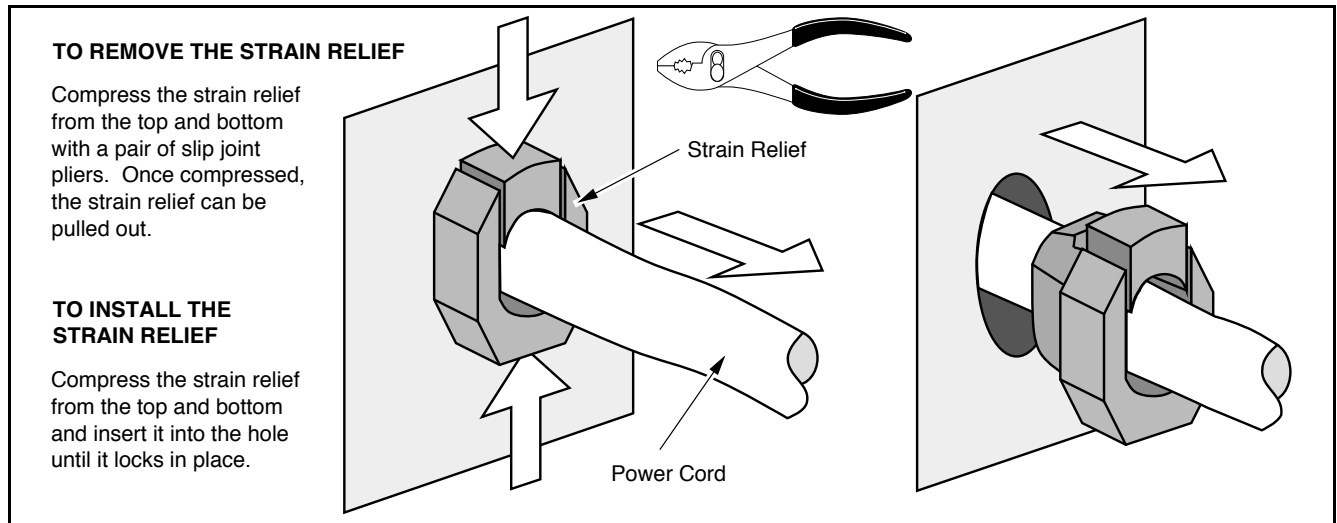
- 1 Attach the pedestal
- 2 Attach the stove panels to the heater
- 3 Install the gas inlet (17-1/4" length of 3/8" pipe)
- 4 Position the heater (measure clearances from the upper top), use floor protection if needed
- 5 Connect the gas line Connect the gas vent
- 6 Follow the instructions under "Finalizing the Installation" on pages 23 through 27.

Pedestal Assembly

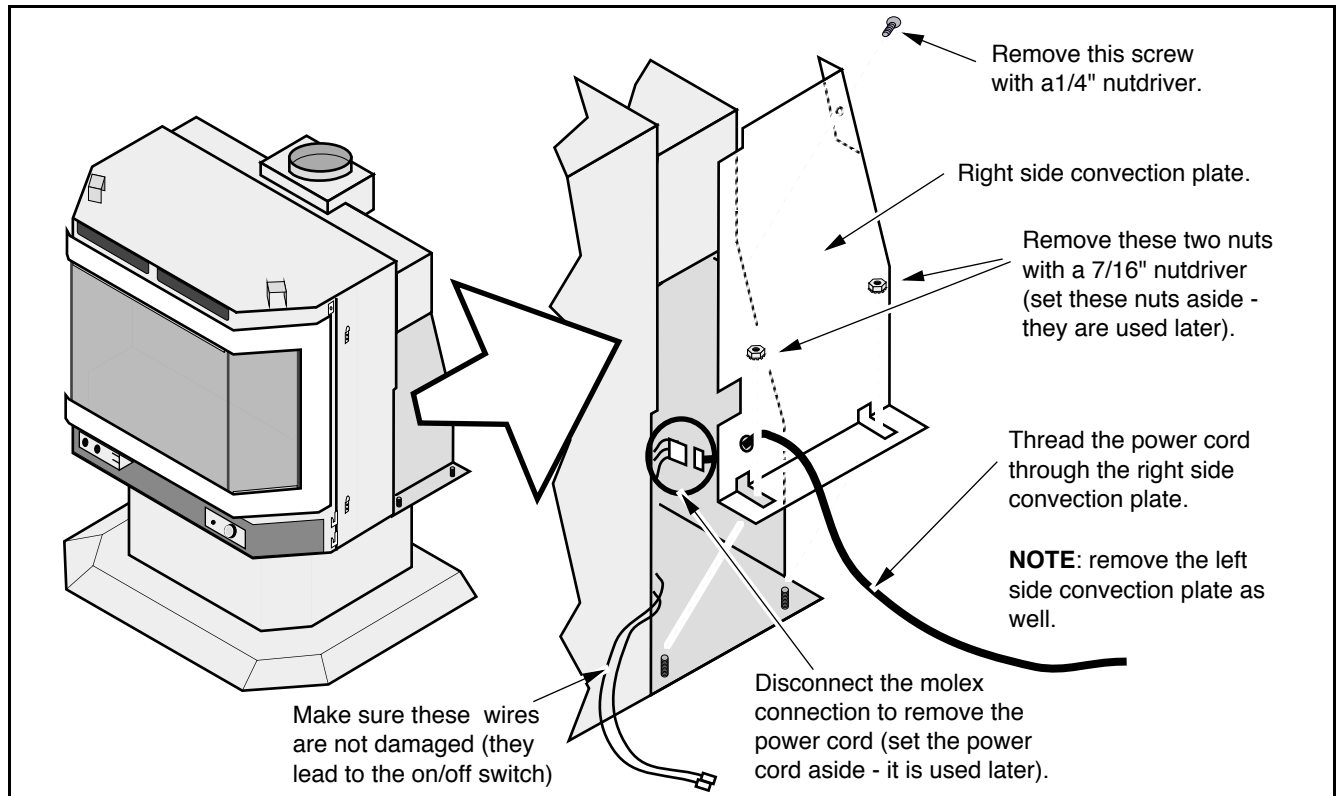


Stove Panel Assembly

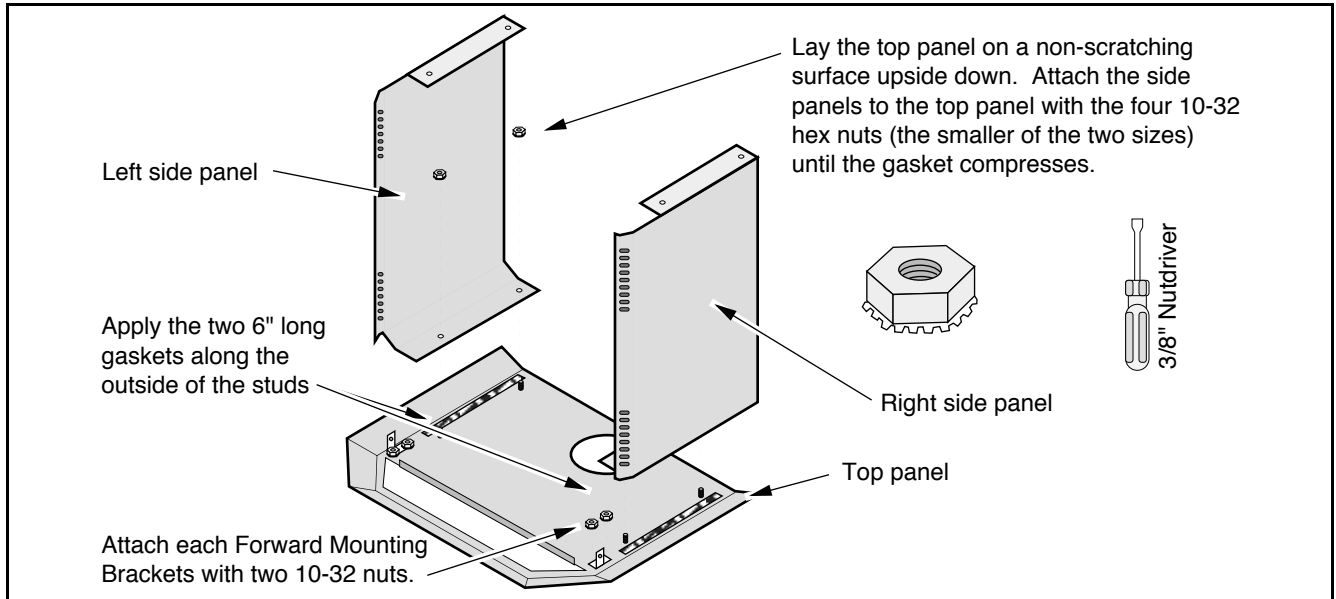
- 1 Remove the strain relief that holds the power cord in place. It can be found on the convection panel at the rear right of the stove.



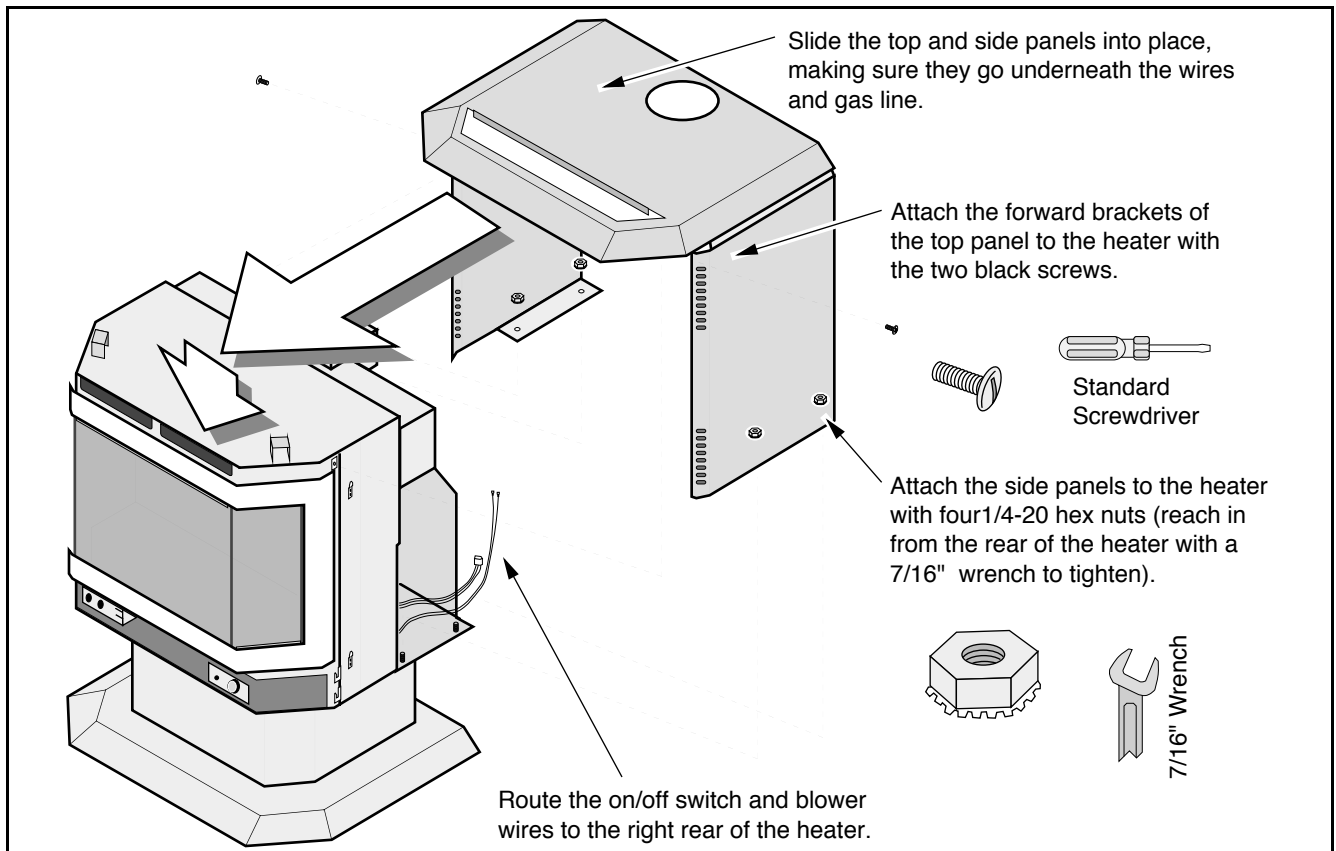
- 2 The side convection plates are removed on the freestanding model. Use a 7/16" nutdriver to remove the two nuts holding the right convection plate in place (save these nuts, they will be used to attach the stove shell). Use a 1/4" nutdriver to remove the screw above the right convection plate. Pull the plate up and away while threading the power cord through the plate. Set the plate near the stove and disconnect the molex connector that attaches the power cord to the stove. Thread the power cord out of the plate and place aside. Remove the left side convection plate (it is removed in the same manner but does not have a power cord). Discard both convection plates.



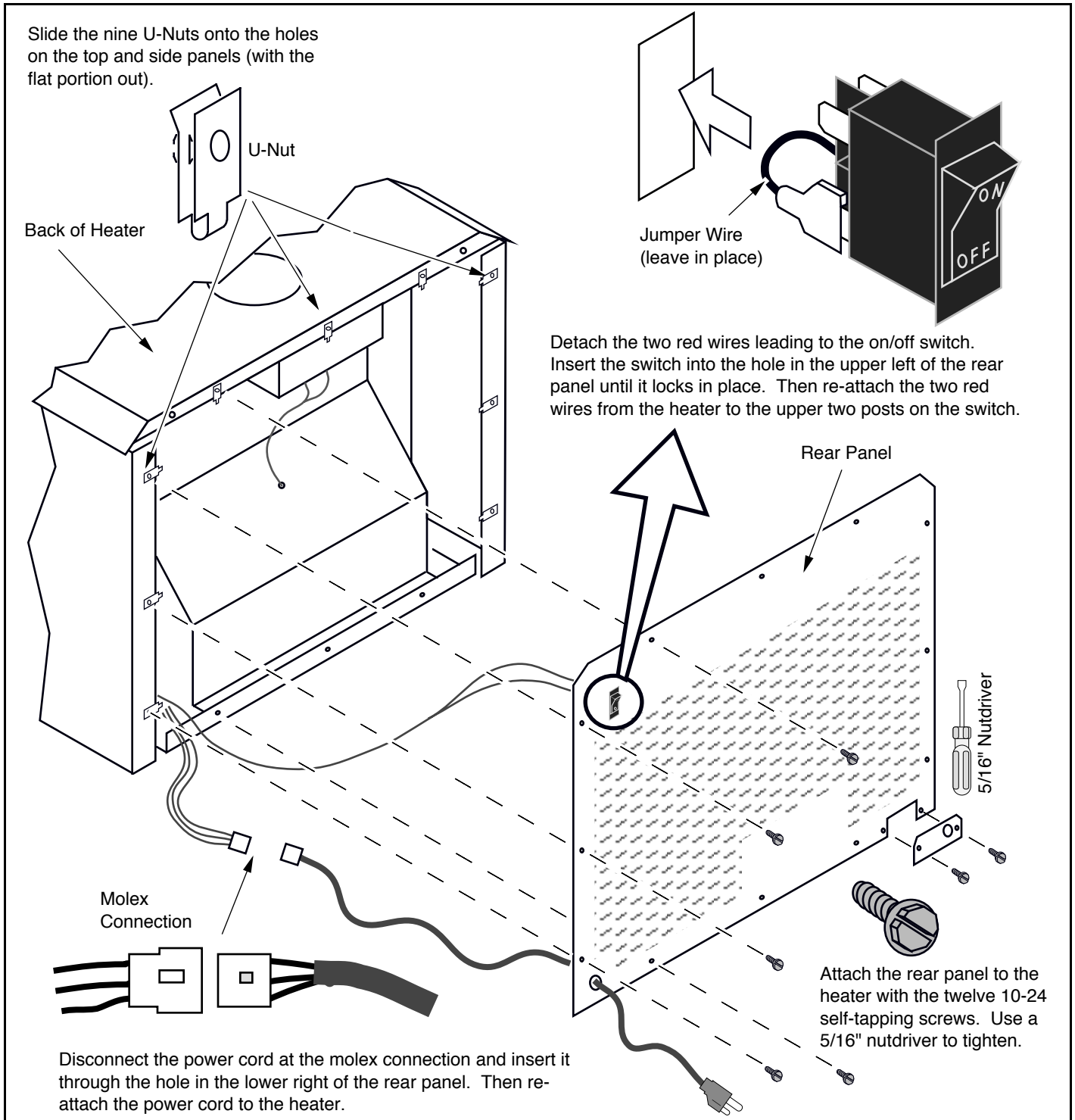
- 3 Direct the two red wires for the on/off switch and the molex connector for the blower out the back right of the heater (there are also two red wires leading to the spill switch – leave these wires in place).
- 4 Place the top panel upside down against a non-scratching surface. Attach the two strips of gasket along the outside of the two studs on each side. Attach each side panel to the top panel with two 10-32 lock-washer hex nuts (the smaller of the hex nuts) – use a 3/8" nutdriver. Do not over-tighten. Attach each forward mounting bracket with two 10-32 nuts - use a 3/8" nutdriver.



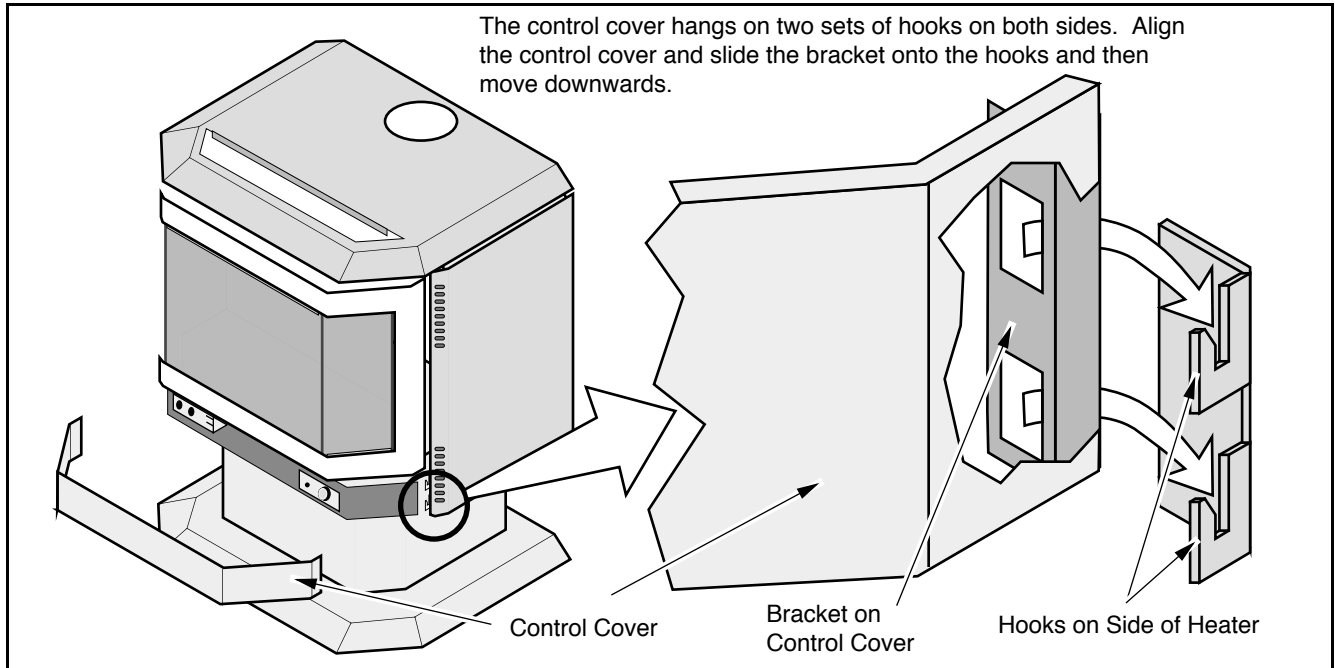
- 5 Slide the side and top panels onto the heater from the back. Make sure the wires do not get caught under the side panels. Attach with the four 1/4-20 lock-washer hex nuts and two screws.



- 6 Slide the nine U-Nuts into place (see the illustration below).
- 7 Install the on/off switch (see the illustration below).
- ? If installing a thermostat or remote control, do so now.
- 8 Disconnect the power cord at the molex connector. Then insert the power cord through the rear panel and re-attach to the molex connector leading from the heater (see the illustration below).
- 9 Attach the rear panel to the heater (see the illustration below).

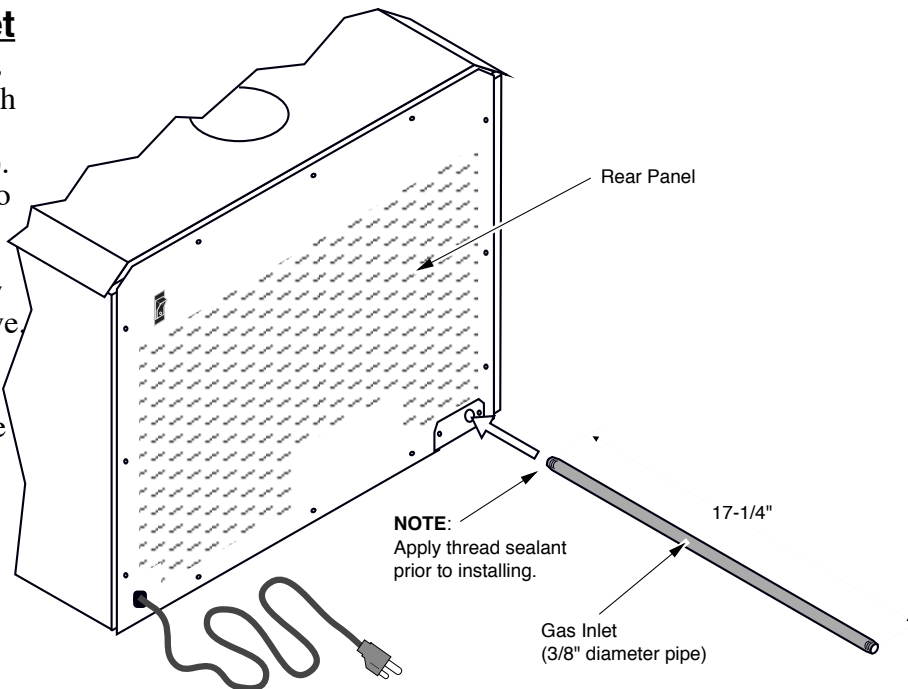


- 10 Pull gently on the power cord to take out any extra slack. Replace the strain relief and push it into the hole in the rear panel (see the instructions under step 1 above).
- 11 Attach the control cover by sliding it over the attachment hooks. Place the black grill in place.



Installing the Gas Inlet

- Locate the 17-1/4" gas inlet pipe included with the heater (the shorter one may be discarded). Apply thread sealant to one end and insert it through the rear panel and into the 90° elbow on the gas control valve. Tighten with a pipe wrench.
- ! Leak check all gas line connections.



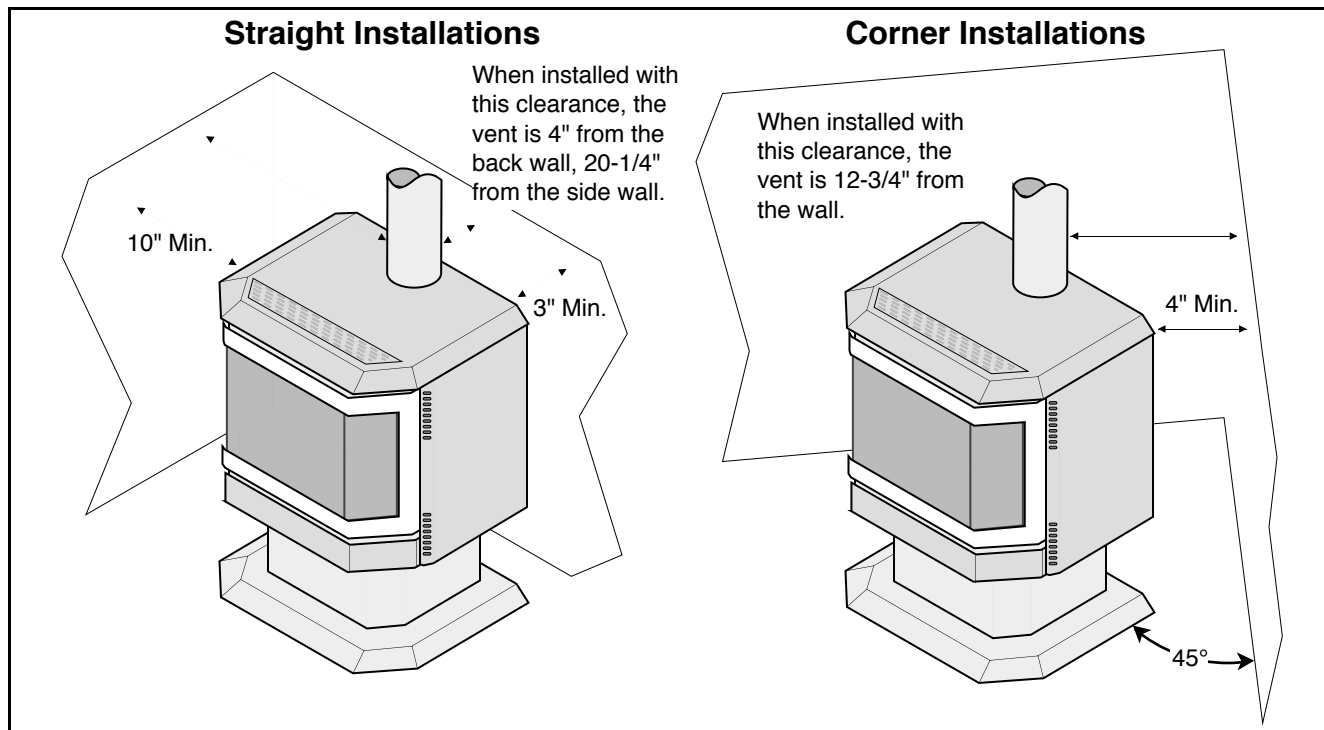
Floor Protection

- When the stove is installed directly on carpeting, vinyl or other combustible material other than wood flooring, the stove must be installed on a metal or wood protection panel extending the full width and depth of the pedestal (Minimum 24-1/2" wide by 20" deep).

Heater Placement Requirements

- Heater must be installed on a level surface capable of supporting the heater and vent
- Due to the high temperature of the heater, it should be located out of traffic and away from furniture and draperies. Heater must be placed so no combustibles are within, or can swing within 36" of the front of the heater (e.g. drapes, doors)
- ? When placed in a location where the floor to ceiling height is under 7 feet , the installation is considered an alcove and must meet the following requirements:
 - The alcove floor to ceiling height must be at least 58" tall
 - The alcove must not be more than 48" deep (before the ceiling returns to 7 feet)
 - The alcove must be at least 44-1/2" wide
- The stove must not be placed so the vents below or above the door, along the sides of stove, or along the back of the heater can become blocked.

Clearances



- + Clearances may be reduced by methods specified in NFPA 211, listed wall shields, pipe shields, or other means approved by local building or fire officials.

Gas Line Install

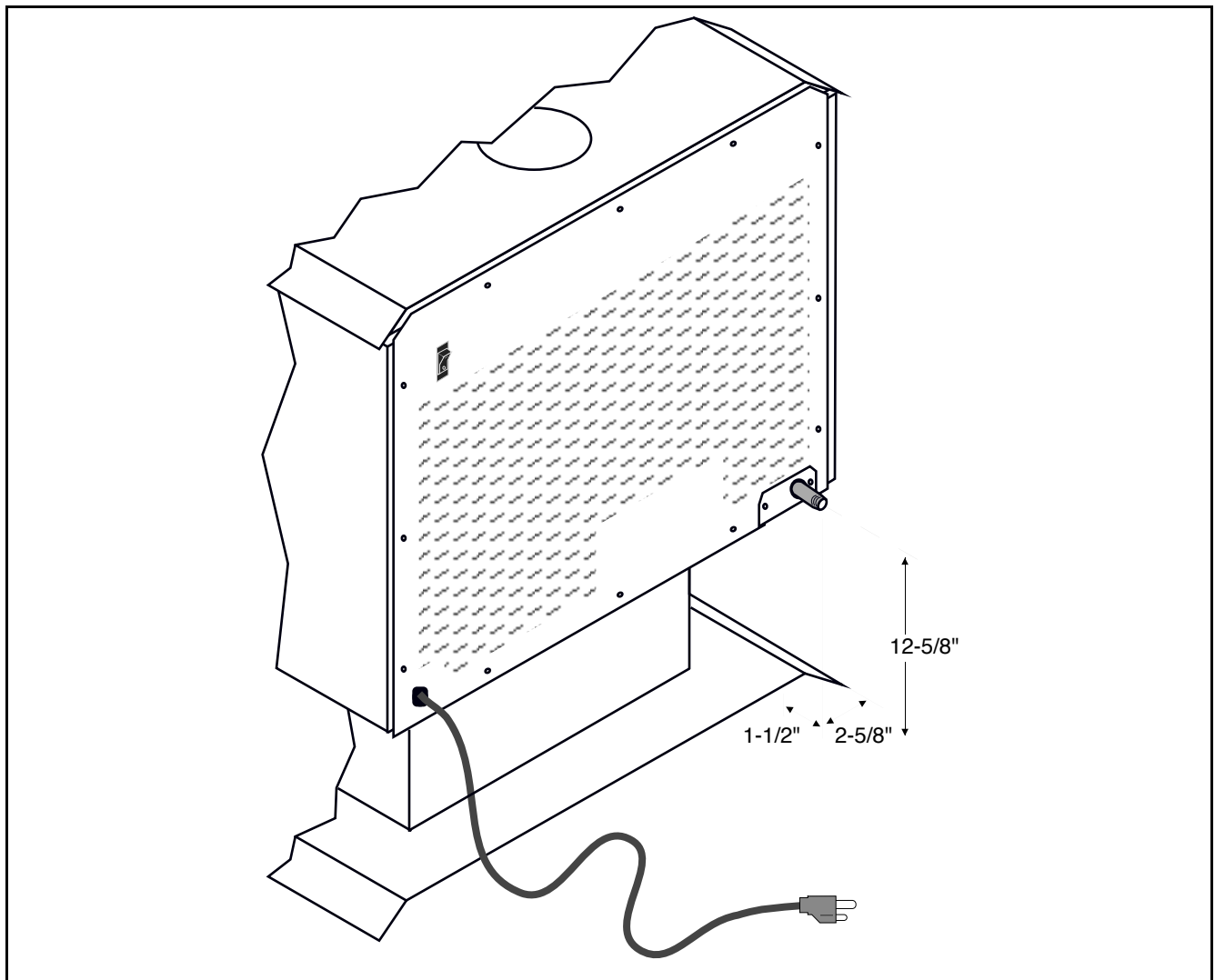
- ! The gas line must be installed in accordance with all local codes, if any; if not, follow ANSI Z223.1 and the requirements listed below.
- ! The heater and gas control valve must be disconnected from the gas supply piping during any pressure testing of that system at test pressures in excess of 1/2 psig. For pressures under 1/2 psig, isolate the gas supply piping by closing the manual shutoff valve.
- The gas line must be properly purged to release all air in the gas line prior to starting the heater.
- Leak test all gas line joints and the gas control valve prior to and after starting the heater.

Fuel

- This heater is designed either for natural gas or for propane (but not for both). Check the sticker on the top of the gas control valve to make sure the correct fuel is used.

Gas Line Connection

- The gas inlet accepts a 3/8" F.P.T. Fitting
- The location of the gas inlet is shown below



- A manual shutoff valve is required for installation (it must be located within 3' of the heater)

Gas Inlet Pressure

- With the heater off, the inlet pressure must meet the requirements listed in the table below
- ? If the pressure is not sufficient, make sure the piping used is large enough and the total gas load for the residence does not exceed the amount supplied.
- ? The supply regulator (the regulator that attaches directly to the residence inlet or to the propane tank) should supply gas at the suggested input pressure listed below. Contact the local gas supplier if the regulator is at an improper pressure.

	Minimum Input Pressure
Natural Gas	7" W.C.
Propane	11" W.C.

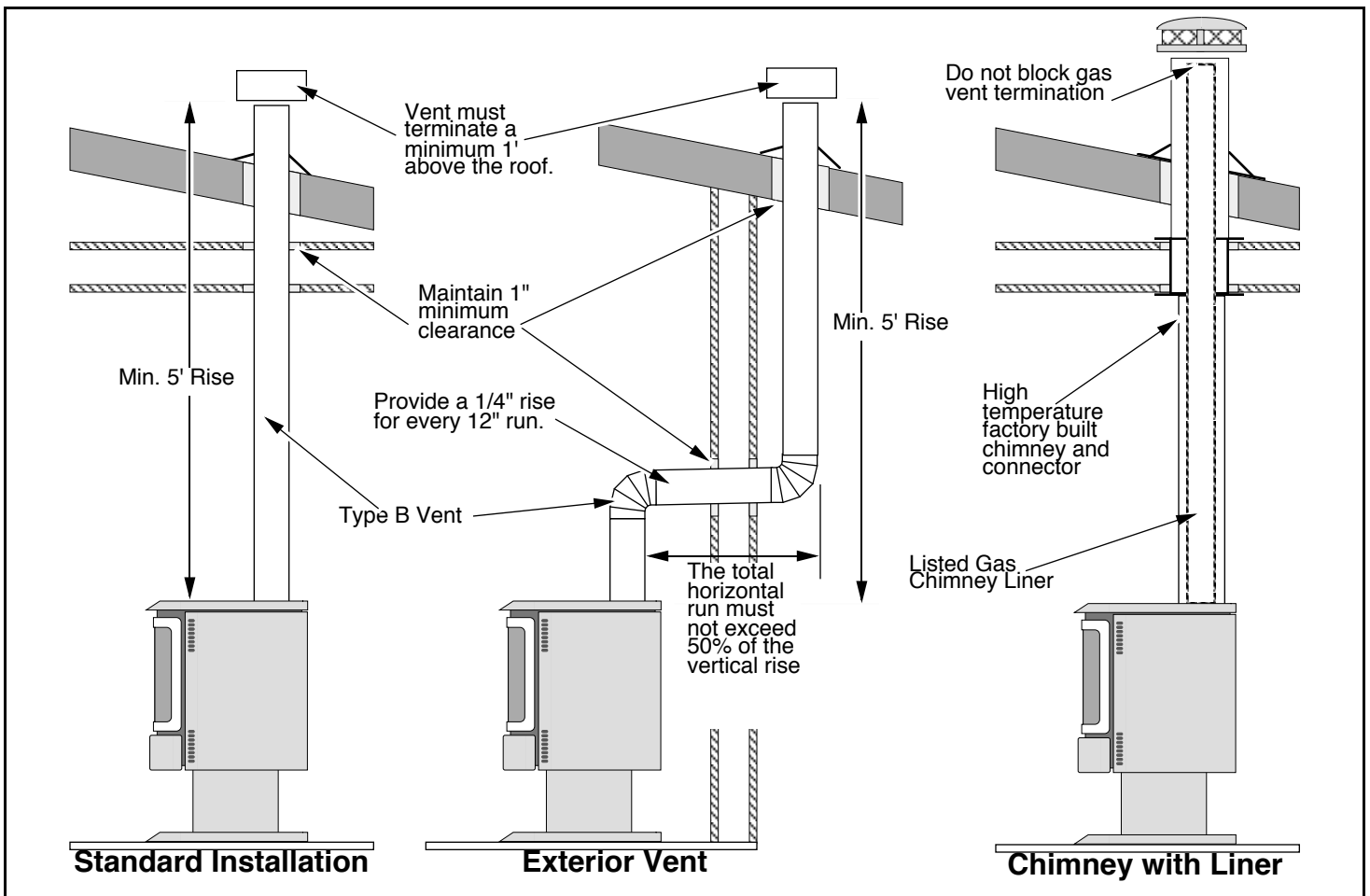
Vent Requirements

- ! Always maintain the required 1" clearance (air space) to combustible materials to prevent a fire hazard. Do not fill air spaces with insulation.
- ! The gas appliance and vent system must be vented directly to the outside of the building, and never be attached to a chimney serving a separate solid fuel or gas-burning appliance.
- Minimum 5' vertical rise from top of stove (see the illustration below)
- When the vent passes through a wall, a wall thimble is required. When the vent passes through a ceiling, a support box or firestop is required. When the vent passes through the roof, a roof flashing and storm collar are required. Follow the instructions and requirements provided with the vent when installing.
- The horizontal run may not exceed 50% of the vertical rise
- Use 4" dia. B vent for entire system from one manufacturer (don't mix brands)

- or -

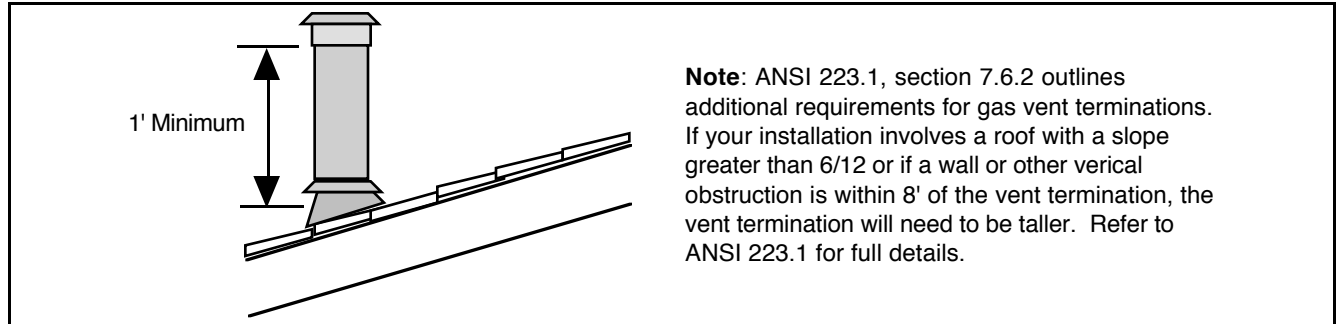
Use high temperature factory built or masonry chimney with listed gas chimney liner running the entire length

- Vent termination must be above the roof and not below any eaves or overhangs



Vent Termination Requirements

- Vent termination must have an approved cap (to prevent water from entering)
- Vent termination must not be located where it will become plugged by snow or other material
- Vent termination must be 1' above the roof **and** meet the requirements outlined in ANSI Z223.1, section 7.6.2.



- ! When installed, the vent must provide suitable draft for the appliance. Other factors, such as exhaust fans, may create negative pressure inside the home and cause down drafts. Additional vent height may be required in these circumstances.

Electrical Connection

- Plug the power cord into a grounded 110 Volt outlet (do not remove the grounding plug).

Installation Preparation

- ! This appliance must be installed in accordance with all local codes, if any; if not, follow ANSI Z223.1 and the requirements listed in this manual. Failure to follow all of the requirements may result in property damage, bodily injury, or even death.
- ! Notify your insurance company before hooking up this heater.
- ! The requirements listed below are divided into sections. All requirements must be met simultaneously. The order of installation is not rigid – the qualified installer should follow the procedure best suited for the installation.

Items Packed with the Heater

- Avanti Gas Heater (with Faceplate)
- On/Off Switch (with jumper wire attached)
- Log Set (2 Logs, 2 Twigs, Ember Strip)
- Owner's Manual
- 2 Gas Inlet Pipes (the shorter one is for inserts)

Items Packed with the Insert Panel Kit

- Top, Left, and Right Surround Panels
- Trim Kit (3 pieces trim, 2 "L" brackets, set screws, double-back tape)
- Two Leveling Bolts

Items Packed with the Insert Shell Kit

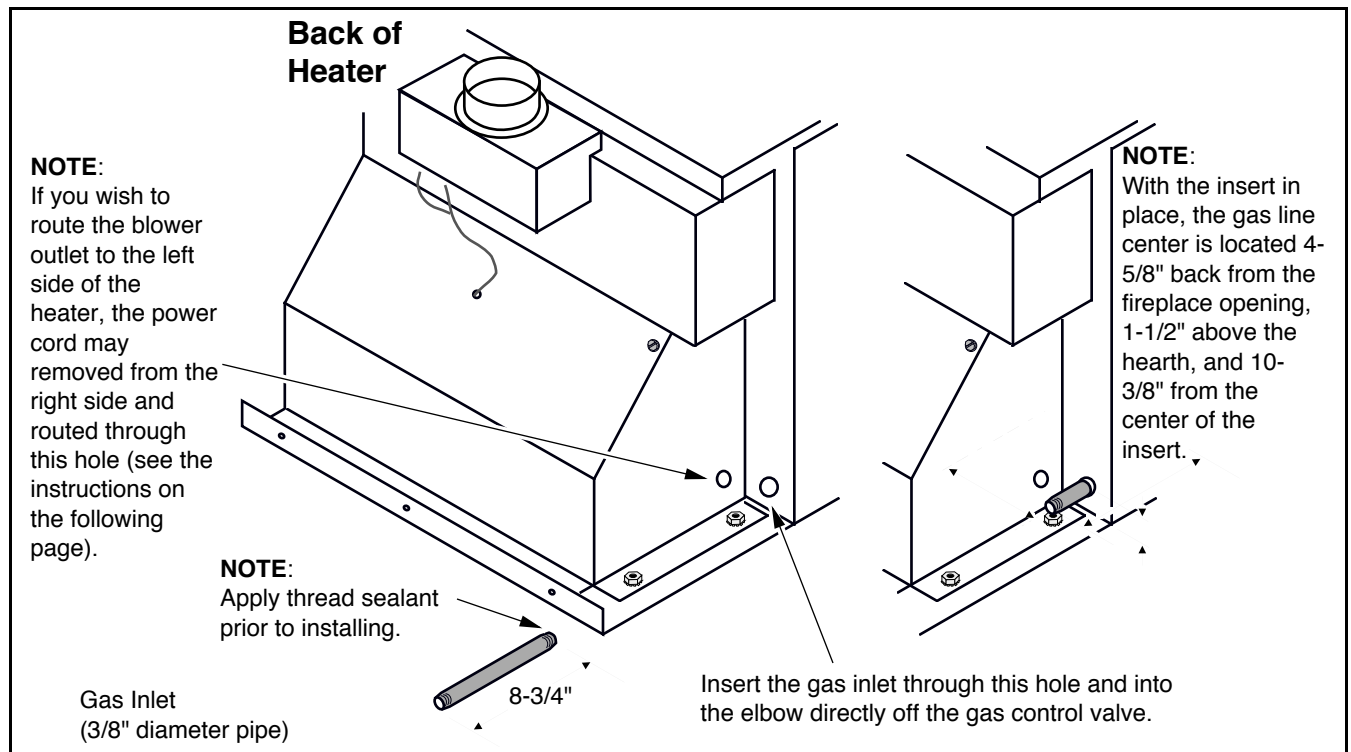
- Upper Top
- Control Cover
- Hardware Kit

Order of Installation

- 1 Install the gas inlet (8-3/4" length of 3/8" pipe)
- 2 Position the heater (see the section "Heater Placement")
- 3 Connect the gas line. Connect the gas vent.
- 4 Install the logs and test the heater (see the instructions under "Finalizing the Installation")
- 5 Install the insert panel kit.
- 6 Install the insert shell kit.
- 7 Follow the instructions under "Finalizing the Installation" on pages 23 through 27.

Installing the Gas Inlet

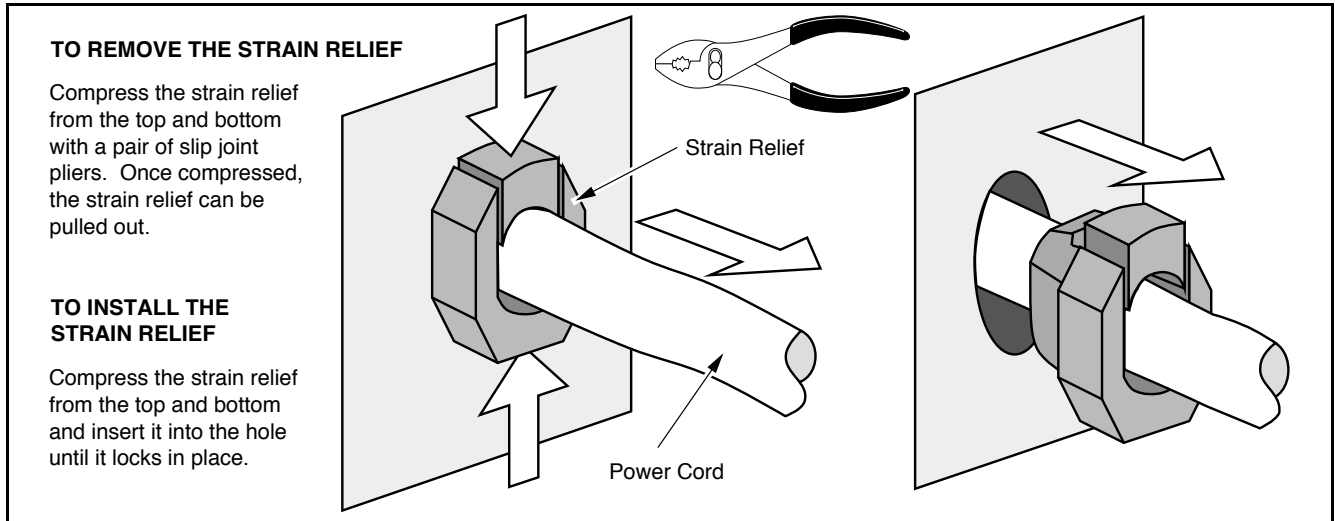
- Locate the 8-3/4" gas inlet pipe included with the heater (the longer one may be discarded). Apply thread sealant to one end and insert it through the rear of the insert into the 90° elbow on the gas control valve. Tighten with a pipe wrench.



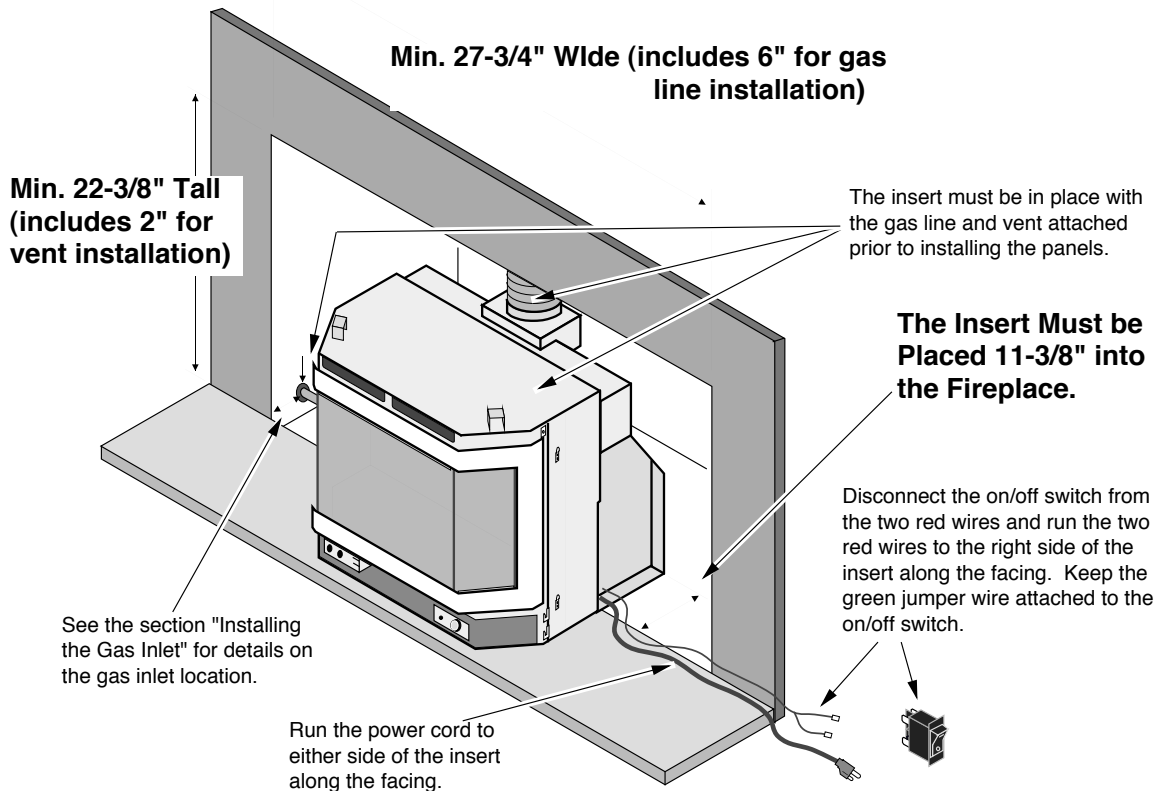
- ! Leak check all gas line connections.

Switching the Power Cord to the Left Side

- + The power cord may be routed to the left side. To do this, follow the directions below.
- 1 Remove the strain relief on the right side of the heater (see the illustration below).
- 2 Use a 7/16" nutdriver to remove the two nuts holding the right convection plate in place (see the illustration on page 7 under step # 2). Use a 1/4" nutdriver to remove the screw above the right convection plate. Pull the plate up and away while threading the power cord through the plate. Set the plate near the stove and disconnect the molex connector that attaches the power cord to the stove.
- 3 Thread the power cord out of the right side convection plate. Insert it through the left side convection plate and re-attach the molex connector. Replace the right side convection plate.
- 4 Pull on the power cord to take out extra slack. Replace the strain relief in the left convection panel.



Insert Placement



Insert Placement (continued)

- Insert must be placed so no combustibles are within, or can swing within 36" of the front of the heater (e.g. drapes, doors)
- The insert may be placed inside a masonry fireplace or listed zero-clearance (metal) fireplace
- The insert must be installed in a level, undamaged fireplace (damage must be repaired prior to installation)
- The insert must maintain 10" clearance to sidewalls (measure to the upper top, 22-1/4" from center)
- Non-combustible facing (e.g. brick, tile) must extend 8" minimum from the side and to the top of the insert (measure to the upper top, 40-1/2" wide by 28-3/8" high)
- Combustible mantles must be a minimum 17-1/2" above the top of the insert (measure to the upper top, 37-7/8" above the hearth)
- + Clearances may be reduced by methods specified in NFPA 211, listed wall shields or other means approved by local building or fire officials.

Floor Protection

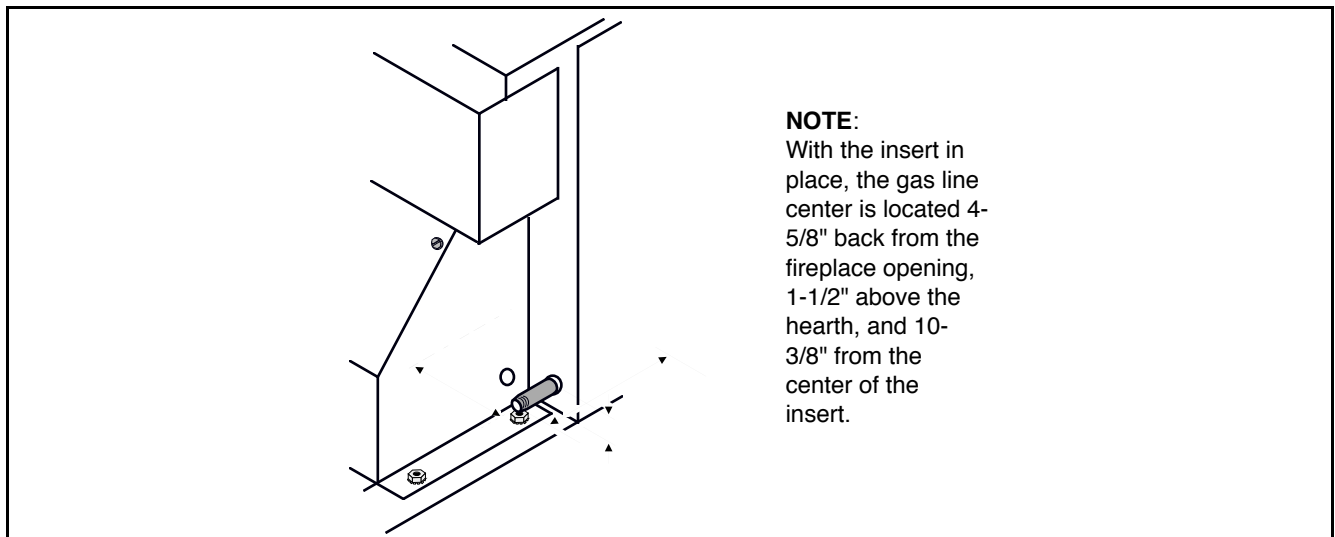
- The heater must be installed on a non-combustible hearth and may not extend over combustible flooring

Gas Line Install

- ! The gas line must be installed in accordance with all local codes, if any; if not, follow ANSI Z223.1 and the requirements listed below.
- ! The heater and gas control valve must be disconnected from the gas supply piping during any pressure testing of that system at test pressures in excess of 1/2 psig. For pressures under 1/2 psig, isolate the gas supply piping by closing the manual shutoff valve.
- The gas line must be properly purged to release all air in the gas line prior to starting the heater.
- Leak test all gas line joints and the gas control valve prior to and after starting the heater.

Gas Line Connection

- The gas inlet accepts a 3/8" F.P.T. Fitting
- The location of the gas inlet is shown below
- A manual shutoff valve is required for installation (it must be located within 3' of the heater)



Gas Line Install (continued)

Fuel

- This heater is designed either for natural gas or for propane (but not for both). Check the sticker on the top of the gas control valve to make sure the correct fuel is used.

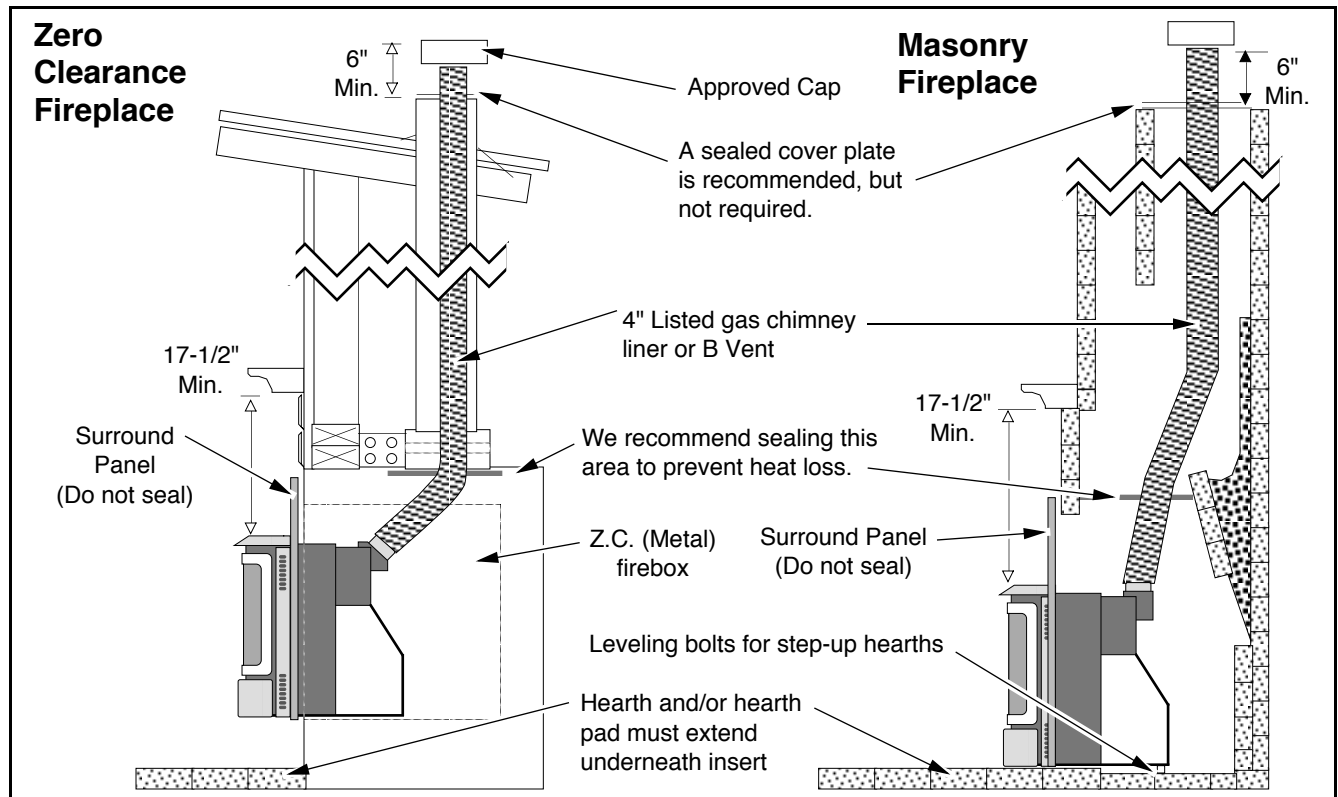
Gas Inlet Pressure

- With the heater off, the inlet pressure must meet the requirements listed in the table below
- ? If the pressure is not sufficient, make sure the piping used is large enough and the total gas load for the residence does not exceed the amount supplied.
- ? The supply regulator (the regulator that attaches directly to the residence inlet or to the propane tank) should supply gas at the suggested input pressure listed below. Contact the local gas supplier if the regulator is at an improper pressure.

	Minimum Input Pressure
Natural Gas	7" W.C.
Propane	11" W.C.

Vent Requirements

- ! Always maintain the required 1" clearance (air space) to combustibles to prevent a fire hazard. Do not fill air spaces with insulation.
- ! The gas appliance and vent system must be vented directly to the outside of the building, and never be attached to a chimney serving a separate solid fuel or gas-burning appliance.
- The vent must reline the entire length of the chimney and have a minimum 5' vertical rise
- Horizontal run may not exceed 50% of the vertical rise
- Use 4" listed gas chimney liner or B vent from one manufacturer (don't mix brands)
- ? When using flexible gas vent, do not crimp or rupture the liner when bending it into chimney offsets
- When installed, the vent must meet all of the vent manufacturer's requirements
- ? When installed, the vent must provide suitable draft for the appliance. Other factors, such as exhaust fans, may create negative pressure inside the home and cause down drafts. Additional vent height may be required in these circumstances.



Vent Termination Requirements

- Vent termination must have an approved cap (to prevent water from entering)
- Vent termination must not be located where it will become plugged by snow or other material
- Vent termination must extend a minimum of 6" above the top of the chimney

Surround Panel Installation

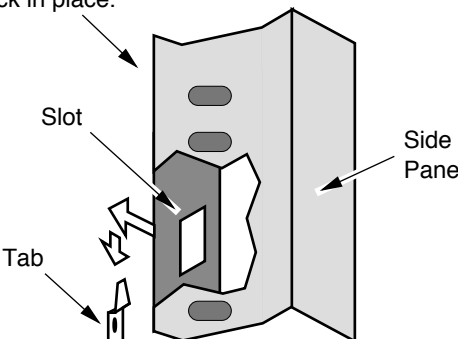
+ The surround panels come in the variety of sizes and colors listed below

COLOR	PANEL SIZE	WIDTH	HEIGHT	PART #
Black (Paint)	8" x 10"	40-1/4"	28-3/4"	99300410
Black (Paint)	10" x 13"	44-1/4"	31-3/4"	99300420
Almond (Enamel)	8" x 10"	40-1/4"	28-3/4"	99300411
Almond (Enamel)	10" x 13"	44-1/4"	31-3/4"	99300421
Green (Enamel)	8" x 10"	40-1/4"	28-3/4"	99300412
Green (Enamel)	10" x 13"	44-1/4"	31-3/4"	99300422

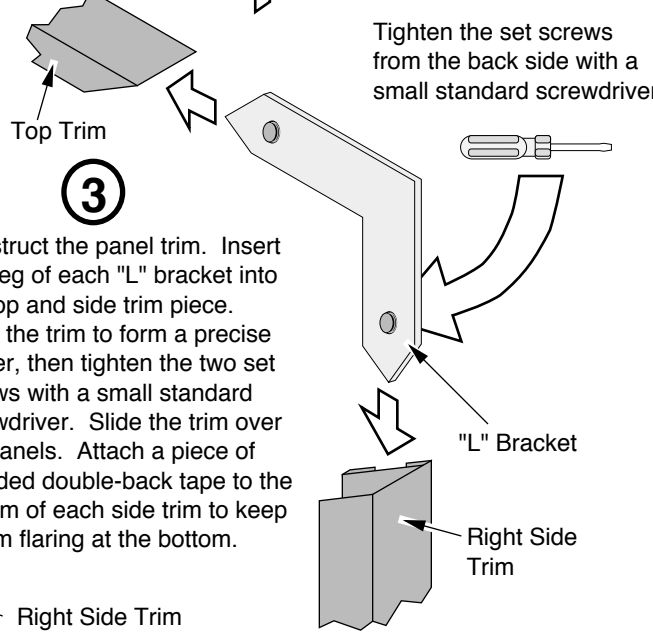
- 1 The insert must be in place with the gas line and vent attached prior to installing the panels. The rear edge of the insert must be 12-5/8" behind the facing of the fireplace for the panels to fit correctly.
- 2 Run the power cord to either side of the insert along the facing.
- 3 Locate the two red wires leading to the on/off switch (they can be found on the right side of the insert near the rear). Disconnect the on/off switch from the wires and run the wires to the right side of the insert. Keep the green jumper wire attached to the on/off switch.
- 4 Follow the instructions below for installing the panels and trim.

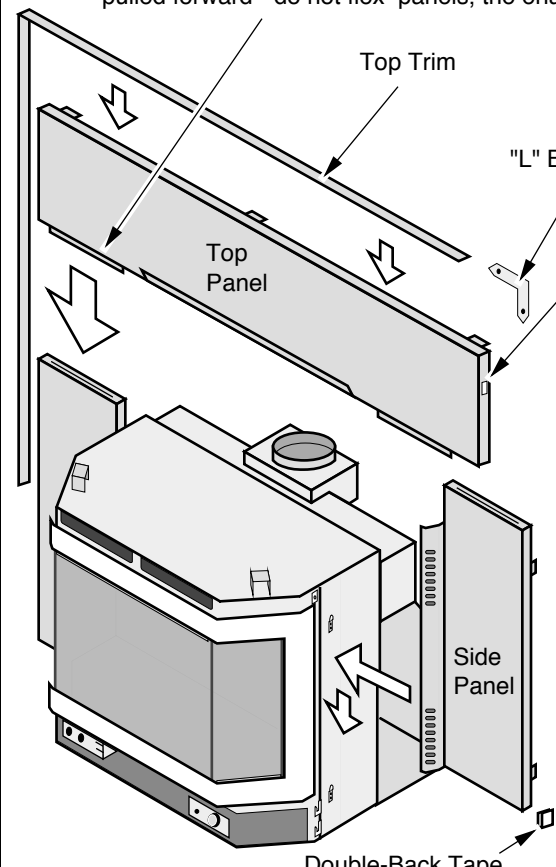
1 Install each side panel by lining up the two tabs on the side of the insert with the two slots on the side of the panel. Slide each panel over the tabs and downwards to lock in place.

2 Install the top panel so the two tabs on the bottom insert into the slots on top of the side panels. The sides may need to be pulled forward - do not flex panels, the enamel may chip.



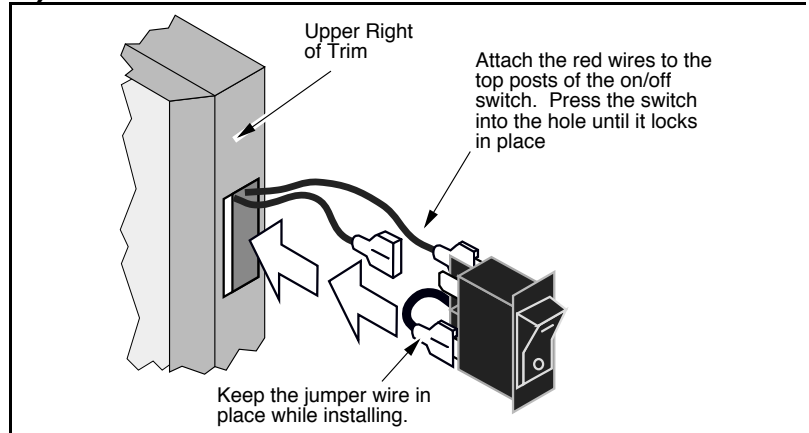
3 Construct the panel trim. Insert one leg of each "L" bracket into the top and side trim piece. Align the trim to form a precise corner, then tighten the two set screws with a small standard screwdriver. Slide the trim over the panels. Attach a piece of included double-back tape to the bottom of each side trim to keep it from flaring at the bottom.





Surround Panel Installation (continued)

- 5 Thread the red wires for the on/off switch through the hole in the upper right of the panels and trim (thread the wires from the inside).
- ? If installing a thermostat or remote control, install it at this point (see the owner's manual or the instructions included with the kit).
- 6 Attach the two red wires to the top posts of the on/off switch. Press the switch into the hole in the panel and trim until it locks in place.

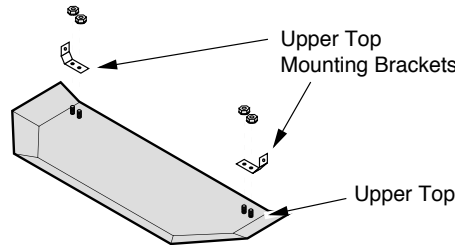


Insert Shell Installation

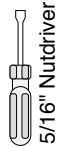
- + The insert shell comes in the following colors

COLOR	PART #
Black (Paint)	99200310
Almond (Enamel)	99200311
Green (Enamel)	99200312

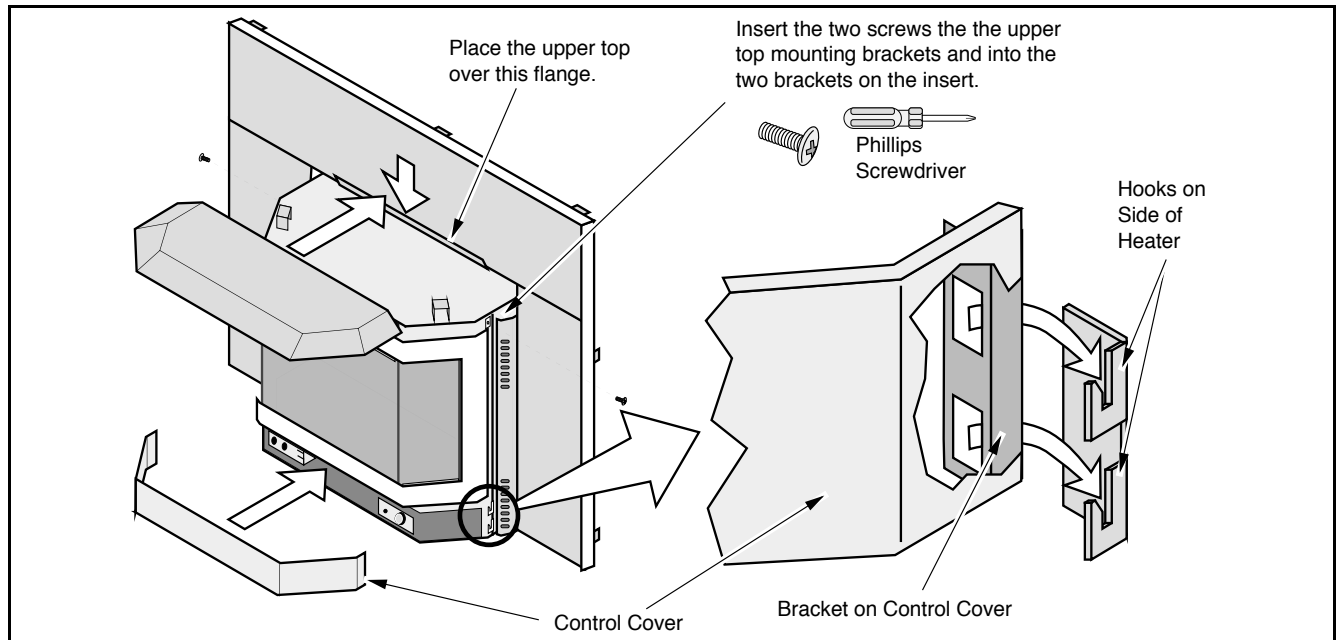
- 1 Place the upper top upside down against a non-scratching surface. Attach the two upper top mounting brackets to the upper top with the four included nuts (use a 3/8" nutdriver).



WARNING: Do not over-tighten the nuts, this may cause the enamel to chip or crack.

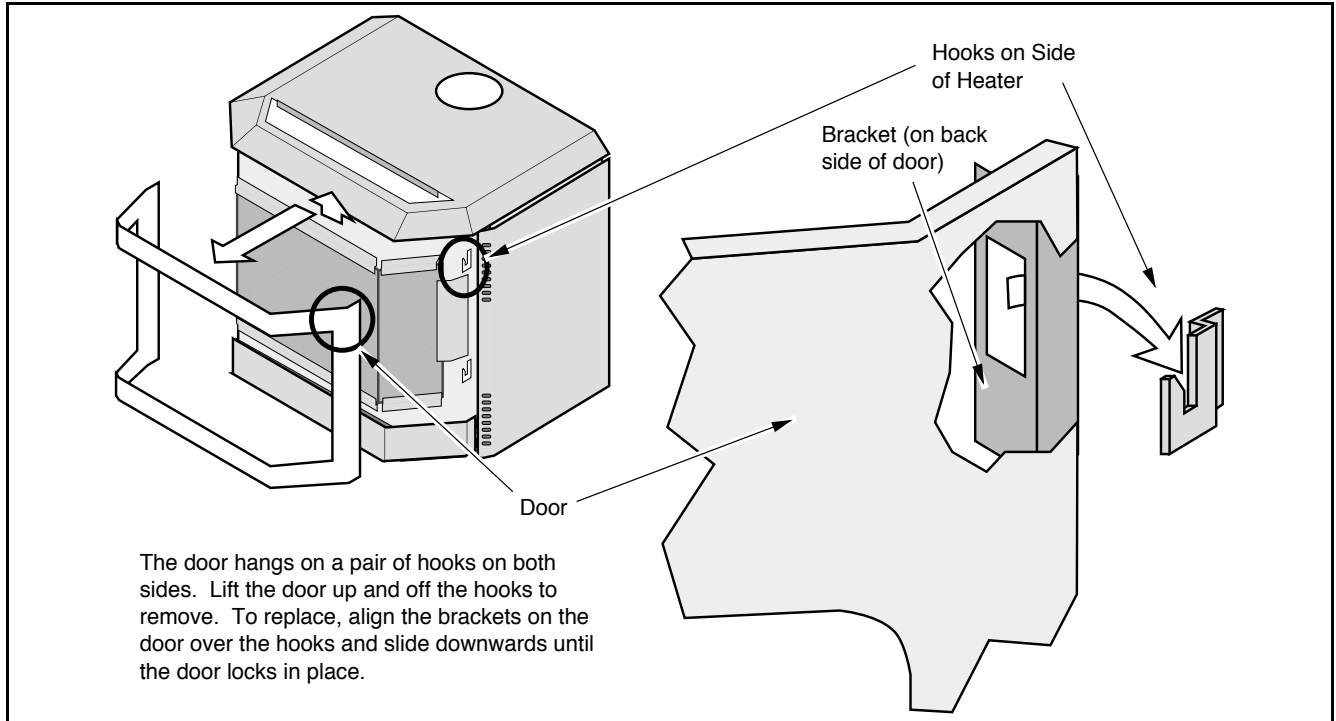


- 2 Place the upper top on the insert so the flange on the back of the upper top goes over the flange on the top panel. Push the upper top towards the rear until it forms an even gap with the top panel. Attach the upper top to the insert with the two screws (use a phillips screwdriver). Install the control cover.

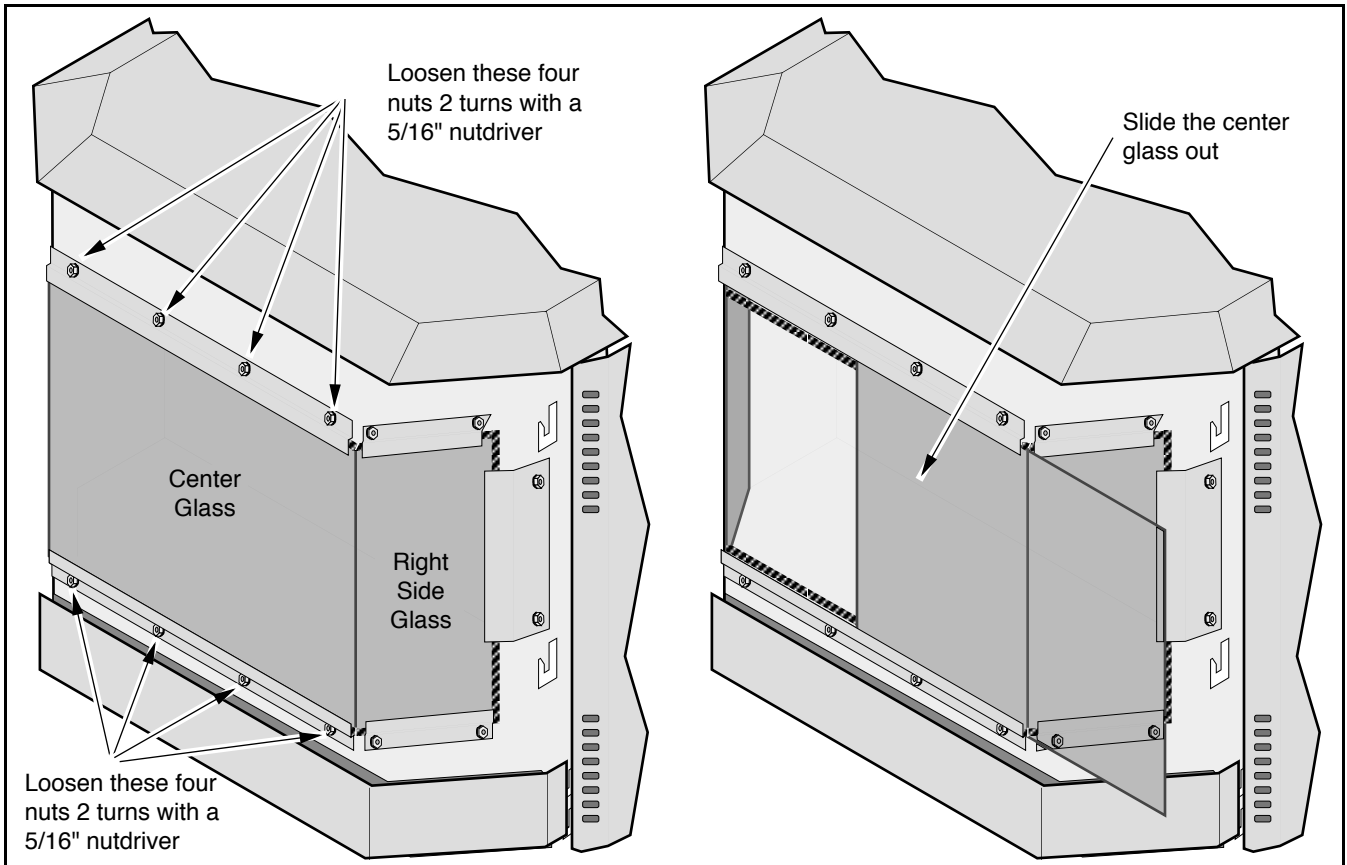


Steps for Finalizing the Installation

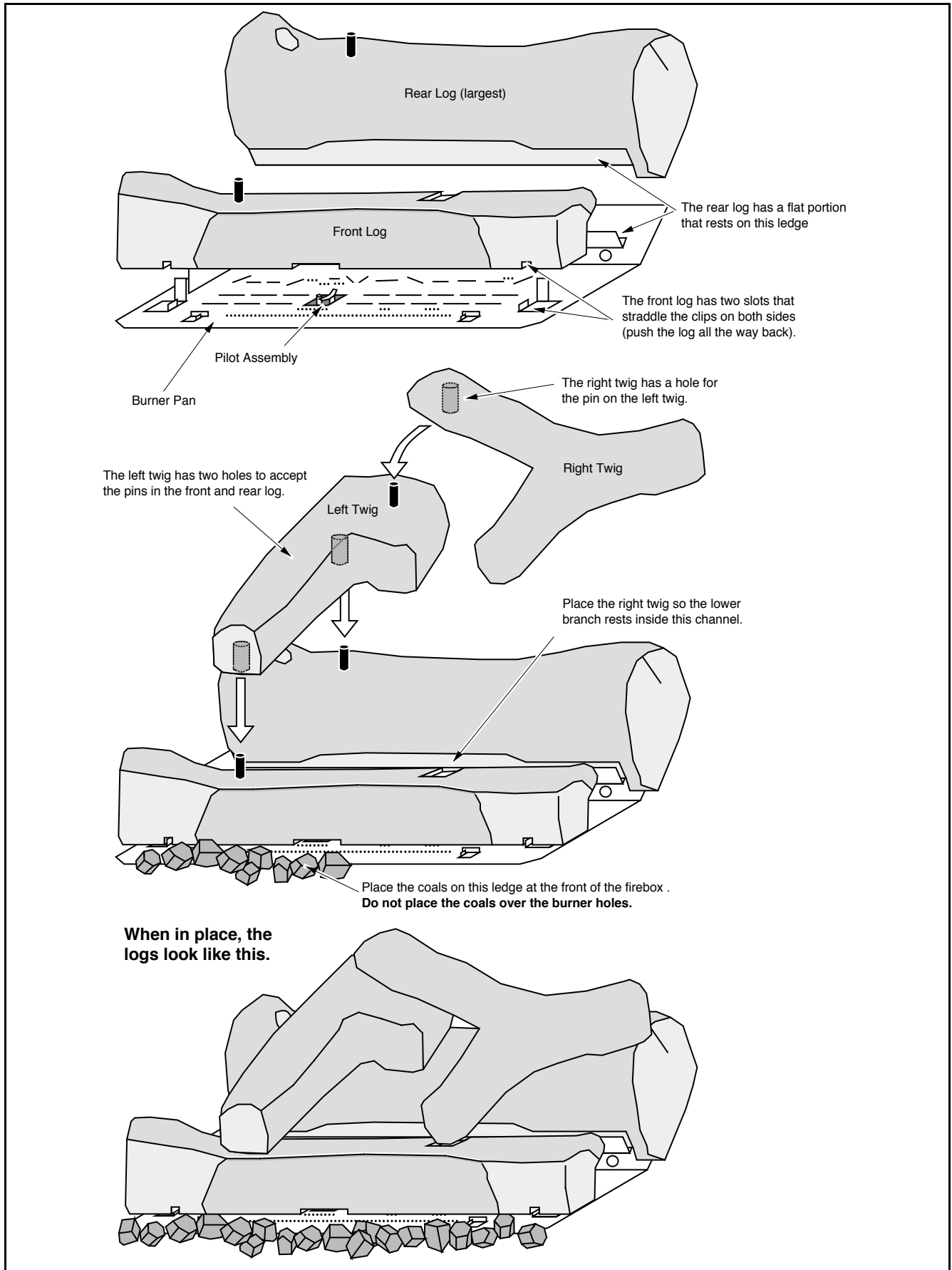
- ! Turn the gas control valve to "OFF" prior to conducting any service.
- 1 Remove the gold door by lifting it off its hangers.



- 2 Follow the instructions below to access the firebox.

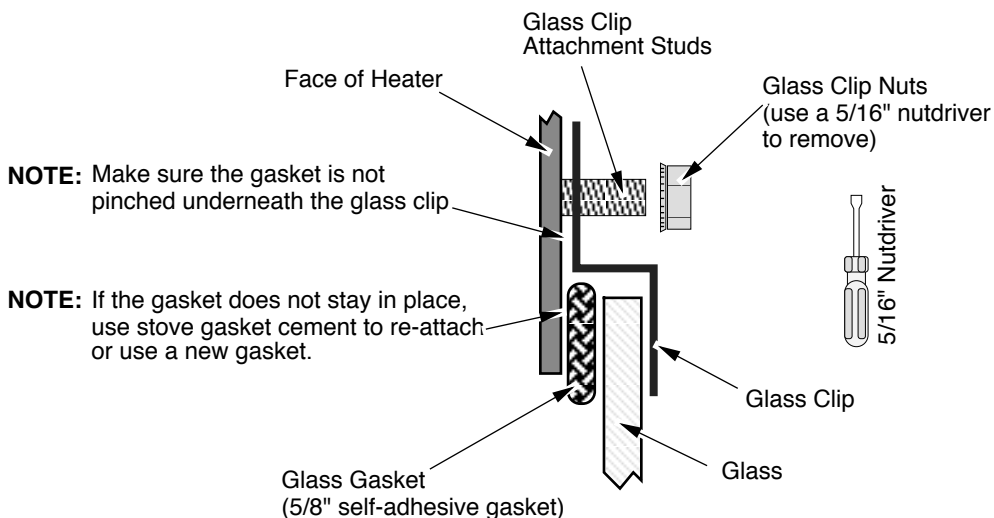


3 Install the log set and ember strip.



- 4 Slide the glass back into place and tighten the glass clip nuts. Make sure the gasket remains in place and is not pinched underneath the glass clip.

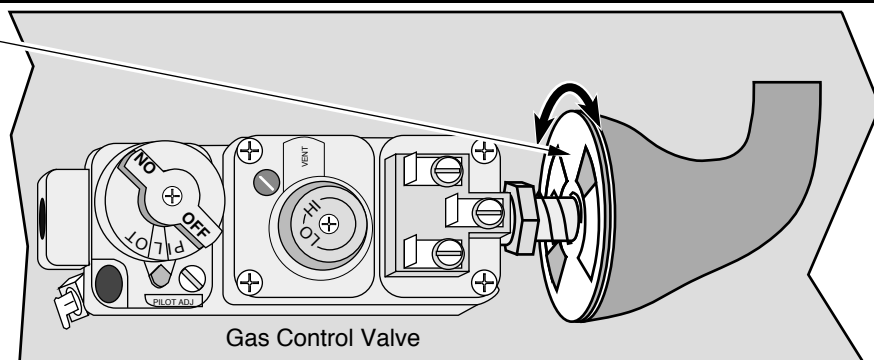
Cross Section of Glass Attachment



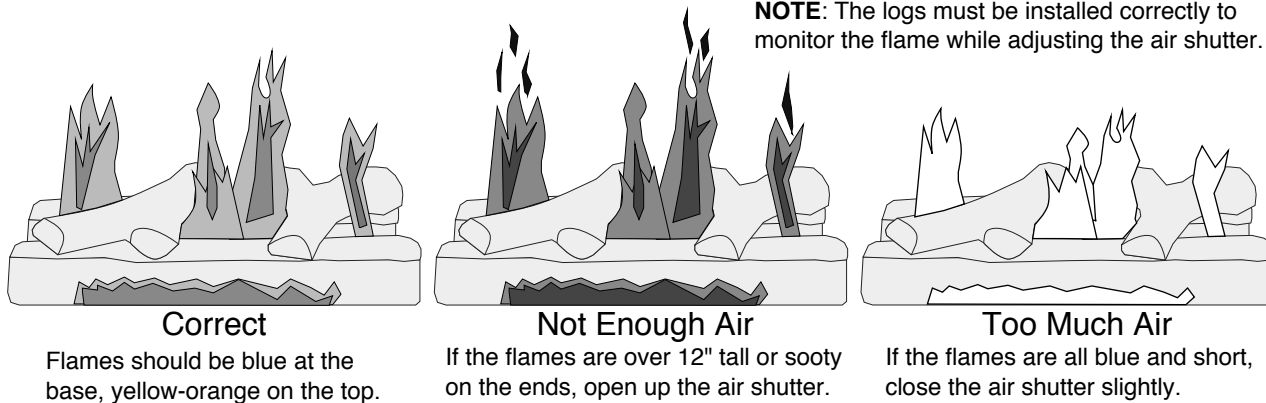
- 5 Purge the gas line. Turn on gas to the heater. Leak test all gas joints prior to starting the appliance. Start the pilot. Start the main burner. Leak test all gas joints again.
- 6 Let the heater burn for fifteen minutes. Adjust the air shutter, if necessary, to achieve the correct looking flame (see the illustration below).
- The air shutter adjusts the amount of air that mixes with the gas before it exits the burner holes. It is used to fine-tune the flame for differences in altitude and vent configuration.

Rotate the air shutter to adjust the air mixture and flame color. Look from the left to determine how far open the air shutter is (in this illustration the air shutter is 1/3 open).

NOTE: If the air control is all the way open, yet the flames remain sooty, shut off gas to the heater and contact a gas service technician.



NOTE: The logs must be installed correctly to monitor the flame while adjusting the air shutter.



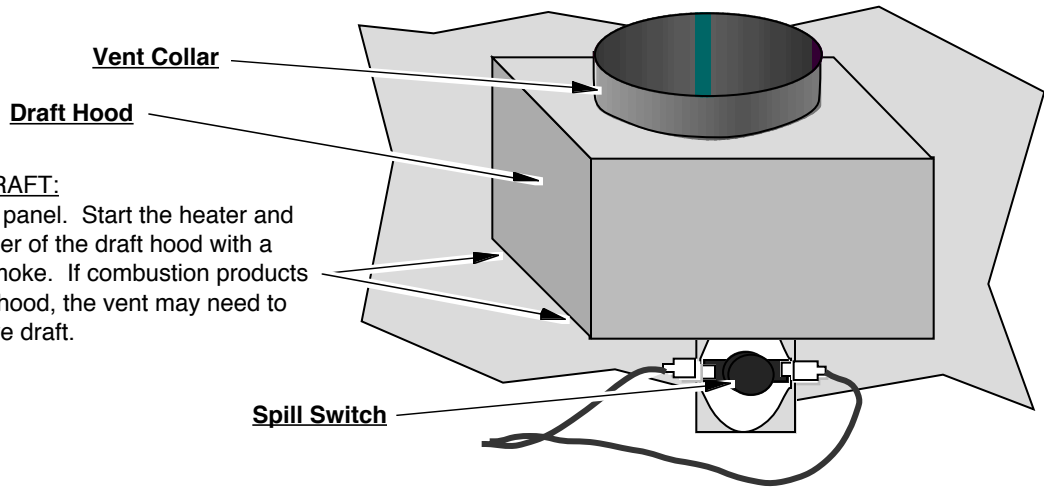
- ! If the air shutter is in its fully open position, yet the flames remain sooty, shut off gas to the heater and contact your Travis Industries Dealer for a remedy.

- 7 Check for proper draft.

ON STOVES:

TO TEST THE DRAFT:

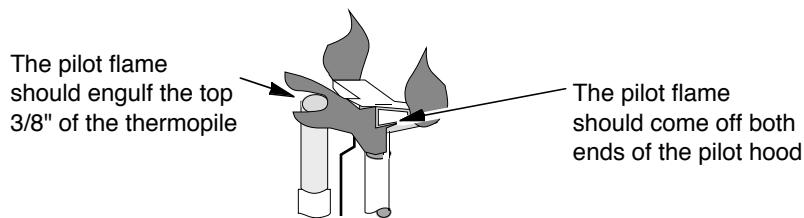
Remove the back panel. Start the heater and check the perimeter of the draft hood with a gas detector or smoke. If combustion products leak out the draft hood, the vent may need to be taller to improve draft.



ON INSERTS:

The most common indication of insufficient draft is the heater (and pilot) turning off between 10 and 25 minutes from the time the main burner was started. The main burner turns on, but instead of warming the flue and creating draft, it vents out of the draft hood at the rear of the heater. The spill switch then heats up, and in about 5 to 15 minutes shuts off all gas to the heater (shutting off the main burner and pilot). If a thermostat is used on your heater, and the pilot shuts down sporadically, you may have a negative pressure situation.

- 8 Check the pilot flame to make sure it looks like the illustration below. If it is not correct, contact your Travis Industries Dealer for a remedy.

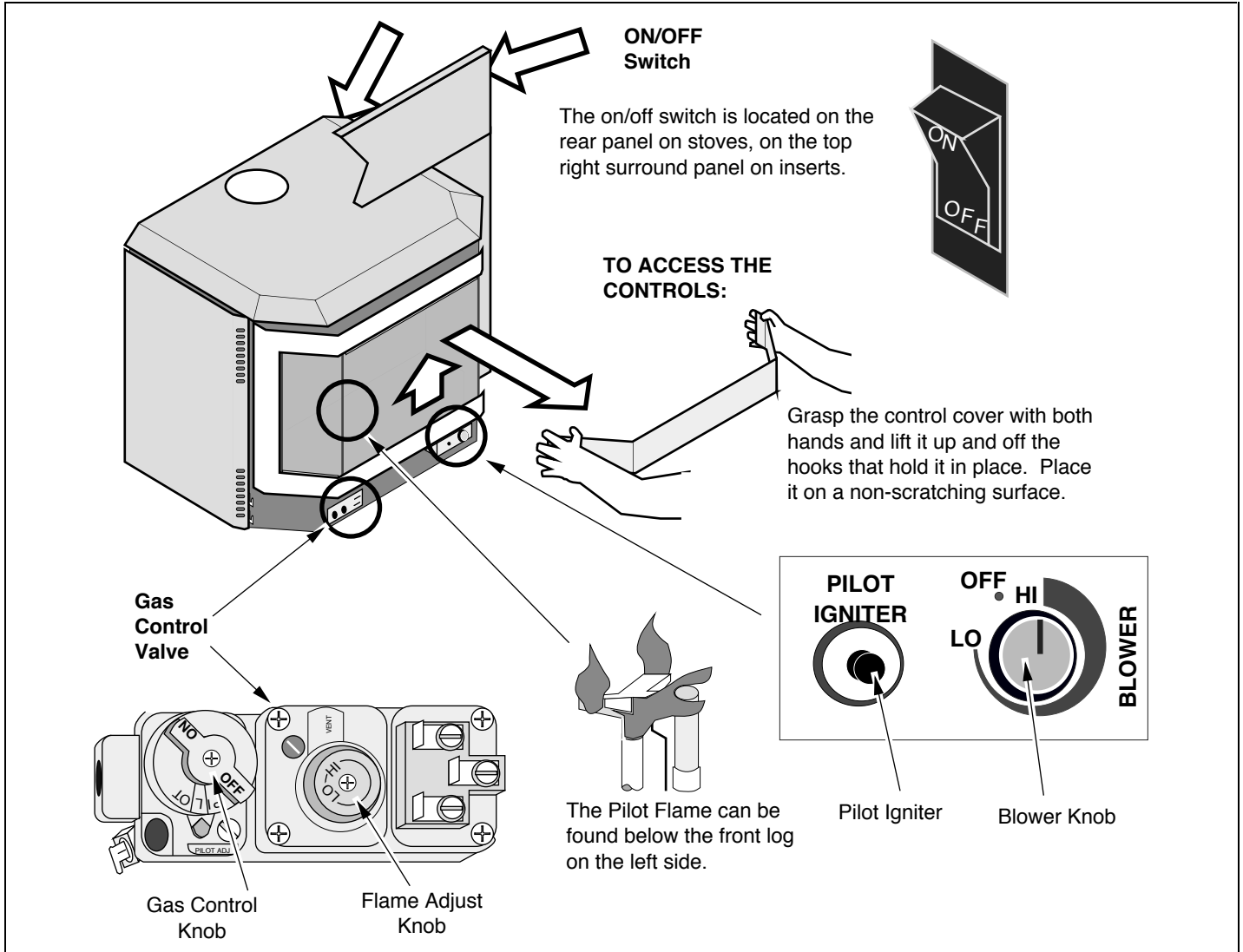


- 9 Turn the flame adjust knob to its highest position - the flames should be a between 10" and 12". Check the flame on low position. The flames should burn off of each burner hole. If the heater does not work correctly, contact your Travis Industries Dealer for a remedy.
- 10 Give this manual to the home owner and fully explain the operation of this heater.

Before You Begin

! Read this entire manual before you use your new heater (especially the section "Safety Precautions" on pages 2 & 3). Failure to follow the instructions may result in property damage, bodily injury, or even death.

Location of Controls - See explanation below



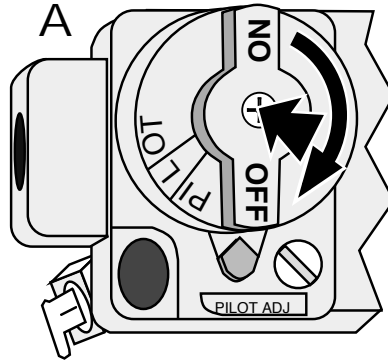
- Blower Knob** This knob controls the speed of the internal convection blower that pushes the heated air into the room.
- On/Off Switch** This control is used to turn the heater on and off.
- Pilot Igniter** The pilot igniter is used only to start the pilot. When pressed, it sends an electrical charge to the pilot assembly. This creates a blue spark directly next to the pilot, igniting the pilot flame.
- Gas Control Knob** This knob is used to control gas to the heater and for starting the pilot. There are three positions, ON, OFF, & PILOT. The pointer directly below the knob indicates the position this knob is in.
- Flame Adjust Knob** This knob controls the flame height from low ("LO") to high ("HI"). The pointer to the upper right of the knob points to the position this knob is in.

? If using a remote control or thermostat, the On/Off Switch must be left "ON". Turning the On/Off Switch "OFF" will keep the heater off always.

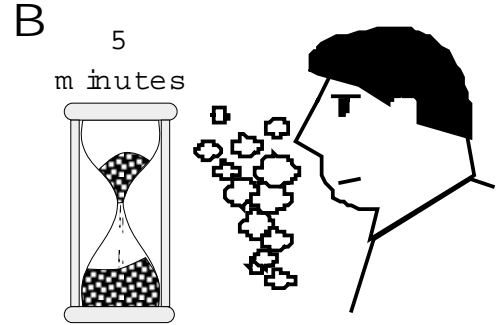
Starting The Pilot Flame

The pilot flame is required to ignite the main burners (it also plays a safety role). It should be left on once lit. It will stay lit unless the gas control valve is turned to "OFF". However, the pilot will go out if the gas is shut off or if the heater malfunctions. If the pilot turns off frequently, call your dealer for information. To start the pilot follow the directions below:

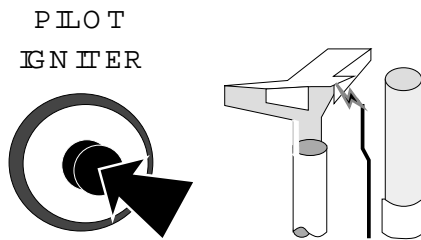
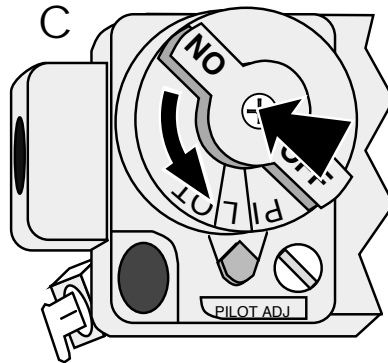
A Push the gas control knob in slightly and turn it to the "OFF" position. The knob will not turn from "ON" to "OFF" unless the knob is depressed slightly.



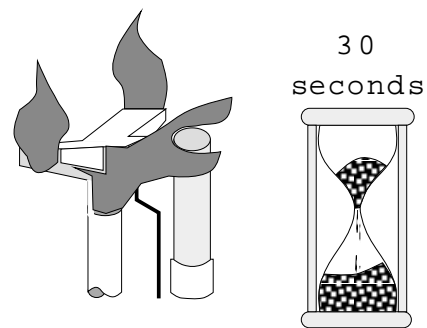
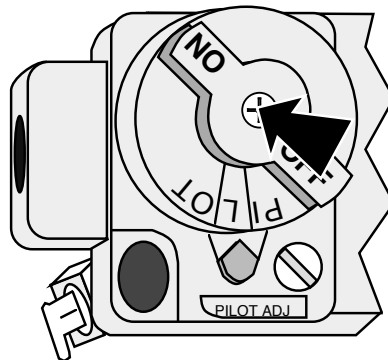
B Wait five minutes to let any gas that may have accumulated inside the firebox escape. If you smell gas, follow the directions on the cover "IF YOU SMELL GAS".



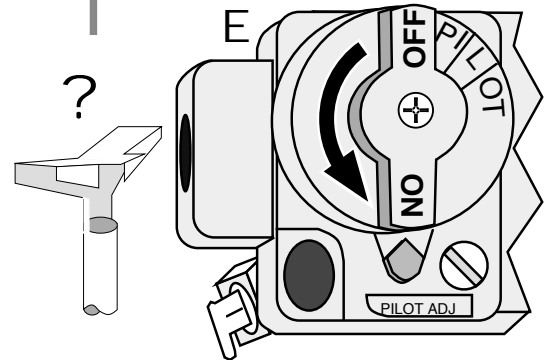
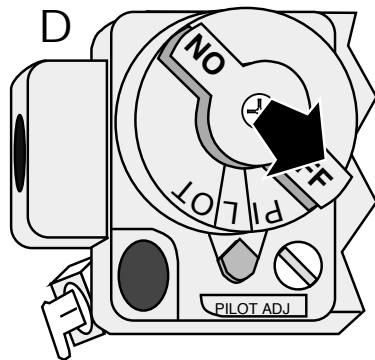
C Turn the gas control knob to the "PILOT" position and press the knob in, this will allow gas to flow to the pilot light. Press the red button on the pilot igniter repeatedly until you see the pilot light. **KEEP THE GAS CONTROL KNOB DEPRESSED FOR 30 SECONDS ONCE IT IS LIT.** Note: If the pilot does not light after several tries, call your dealer for service.



D Release the gas control knob. If the pilot goes out, repeat step C. If the pilot refuses to stay lit, call your dealer for service.



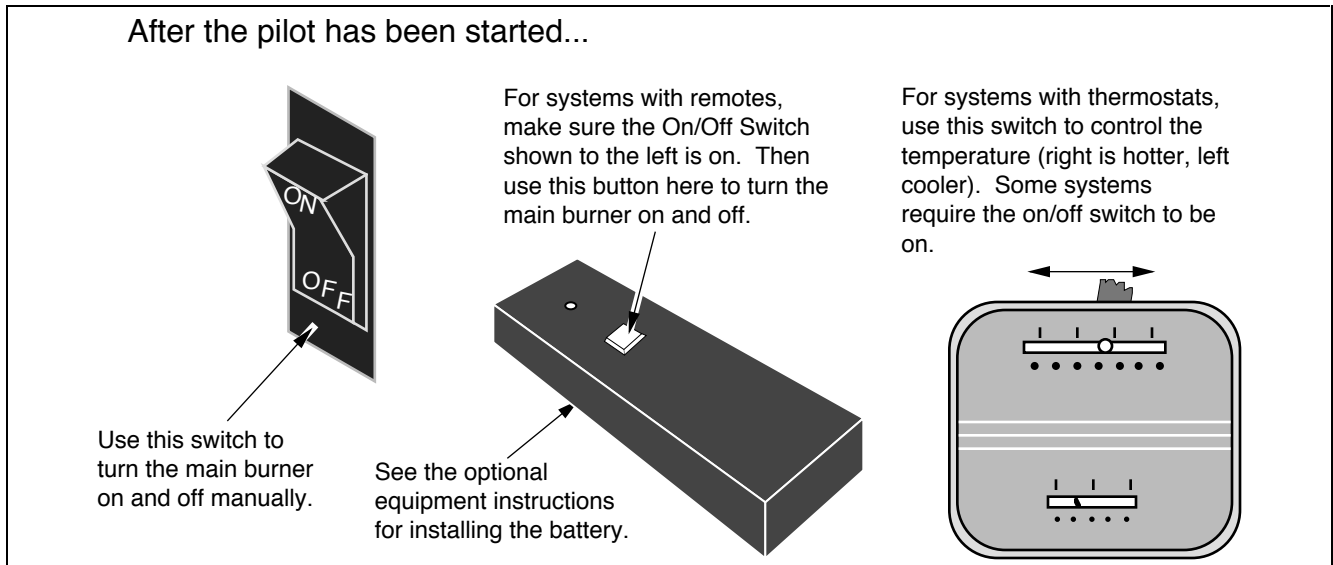
E Turn the gas control knob counter-clockwise to "ON". The pilot is now lit and the heater can be turned on and off.



Starting the Heater for the First Time

- **Painted Stoves** require the paint to be cured. Start the heater and burn on low for 20 minutes. Turn off and let cool. Repeat twice to fully cure the paint.
- + **Fumes** and smoke from the paint curing and oil burning off the steel may occur the first time you start your heater. This is normal. We recommend you open windows to vent the room.
- + **Condensation** may appear on the glass each time you start the heater - this is normal.
- + **Blue Flames** will occur on the heater when it first comes on. After fifteen minutes the flames will turn a more realistic yellow and orange color.
- ? Certain installations use a remote "wall switch" to turn the heater on and off. If this is the case, leave the ON/OFF switch "ON".

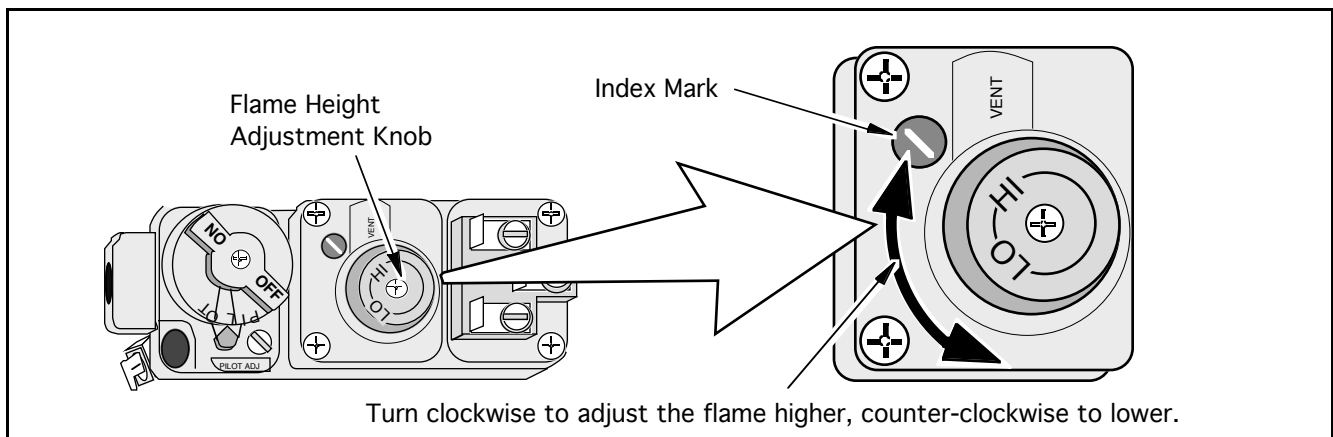
Turning the Heater On and Off



- ! Do not place any combustible items on top of or directly in front of the heater, even temporarily. The optional thermostat may start the heater causing a combustible item to ignite.
- ? If the heater turns on and off frequently while using the thermostat, you may want to adjust the flame height down until it produces just enough heat needed.

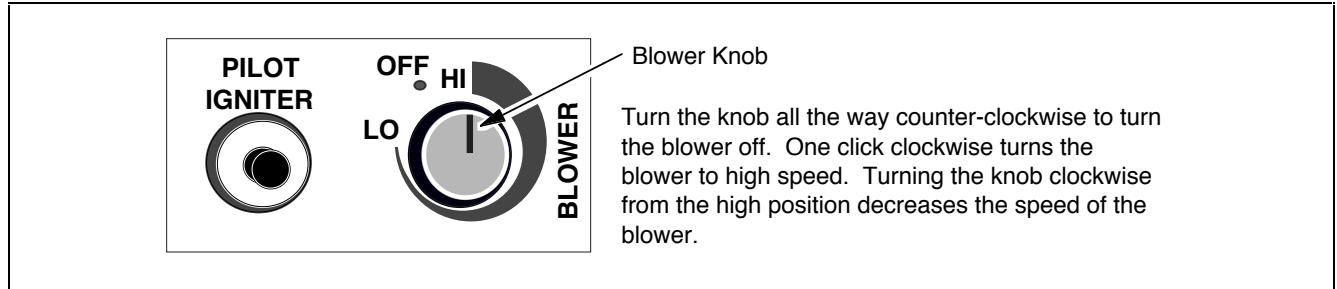
Adjusting the Flame Height

- + Your heater has an adjustable flame to tailor the look and heat output to your specific needs. It is adjusted by turning the middle dial on the gas control valve.

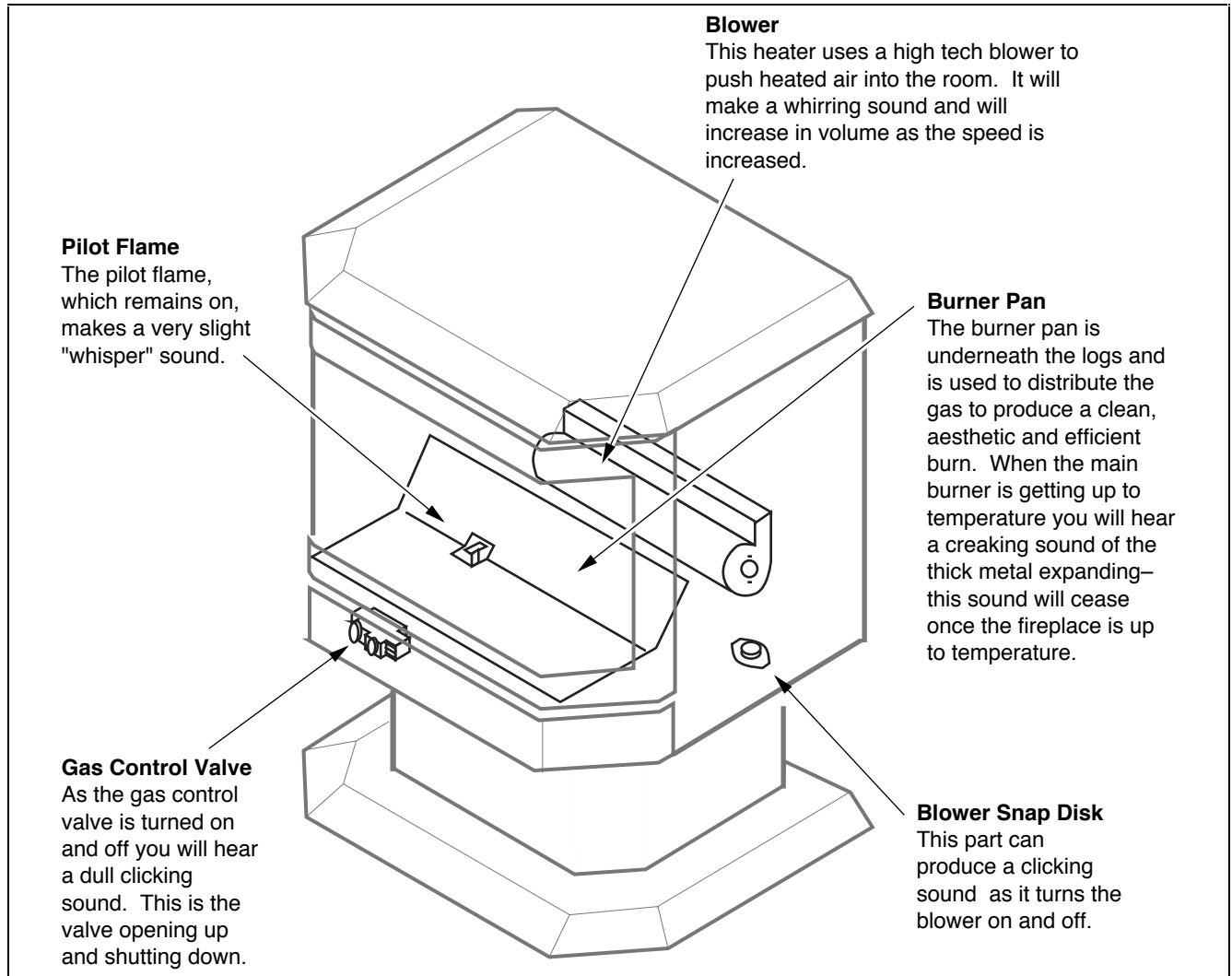


Adjusting the Blower Speed

- + The blower helps transfer the heat from the heater into the room. It will not turn on until the heater is up to temperature (approximately 10 minutes after starting). See the illustration below for instructions on adjusting the blower speed.



Normal Operating Sounds



Maintaining Your Stove's Appearance

- ! The enameled surfaces may chip if struck. Damaged surfaces may be repaired using the enamel touch-up paint available from Travis Industries.
- ! Fingerprints or other marks left on the gold surface may become etched in place if they are not wiped clean prior to turning the stove on. Clean the surfaces with denatured alcohol and a soft cloth.

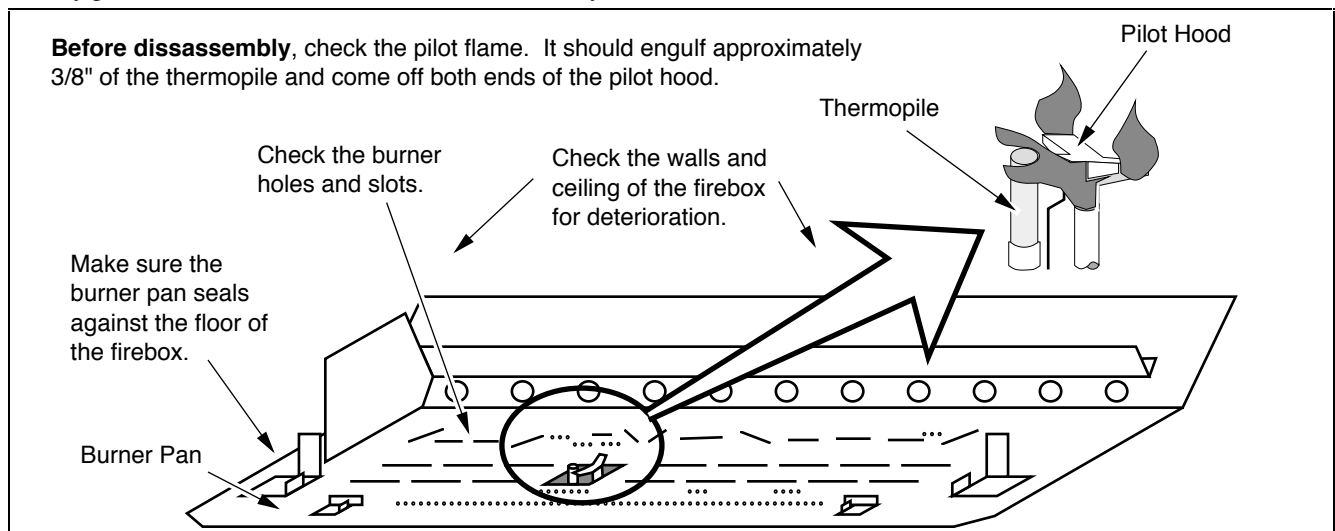
Cleaning Your Stove

- Use denatured alcohol and a soft cloth to clean the gold surfaces. Other cleaners may leave a film that may become etched into the gold.
- Enameled surfaces may be cleaned with a soft rag and water.

Yearly Service Procedure

- ! Failure to inspect and maintain the heater may lead to improper combustion and a potentially dangerous situation. We recommend the following procedures be done by a qualified technician.
- 1 Check the pilot flame. It should engulf approximately 3/8" of the top of the thermocouple (see illustration below). If it does not, contact your dealer for service.
 - 2 Shut off gas to the heater by turning the gas control knob to "OFF" (see step A under "Starting the Pilot" on page 28). Let the heater cool for 15 minutes. Remove the door (see step 1 on page 23) and slide the center piece of glass out (see step 2 on page 23).
 - 3 Remove the log set (see page 24). If any log is cracked or deteriorated, replace it when re-installing. Check the logs for sooting. A small amount of soot along the bottom of the logs is normal. If excessive sooting is found, the heater will require adjustment. Contact your dealer.
 - 4 Clean the burner pan (especially in the burner holes and slots) and inspect the following:
 - Check for burner pan holes that are cracked, severely warped, or corroded.
 - Make sure the burner pan assembly fits flat against the floor of the firebox.
 - Check the firebox and area around the pilot to make sure there is no warping or damage.

If any problem is found, discontinue use and contact your dealer for service.



- 5 Replace the log set. Inspect the gasket. If it is deteriorated, replace. It may be re-attached using high-temperature gasket cement. The gasket drapes down 1/8" over the stove body (see step 4 on page 25). Replace the glass and tighten the glass clip nuts fully (see step 4 on page 25). If the glass is damaged, replace it - make sure the gasket forms a seal and the side pieces of glass butt up against the center piece. Make sure the gasket along the perimeter of the glass contacts the face of the firebox and forms an air-tight seal. If it does not, re-align or replace the gasket to insure an air-tight seal. Replace the door.
- 6 Inspect the area behind the control cover. Check the gas control valve and all of the gas lines. If any damage is found, discontinue use and contract your dealer for service.
- 7 Start the pilot and turn on the main burner. The flames should be orange/yellow and not touch the top of the firebox. If the pilot or main burners do not burn correctly, contact your dealer for service. Monitor the blower operation. If it makes excessive noise, contact your dealer for an evaluation.
- 8 Remove any debris or vegetation near the vent termination. Contact your dealer if any sooting or deterioration is found near the vent termination.

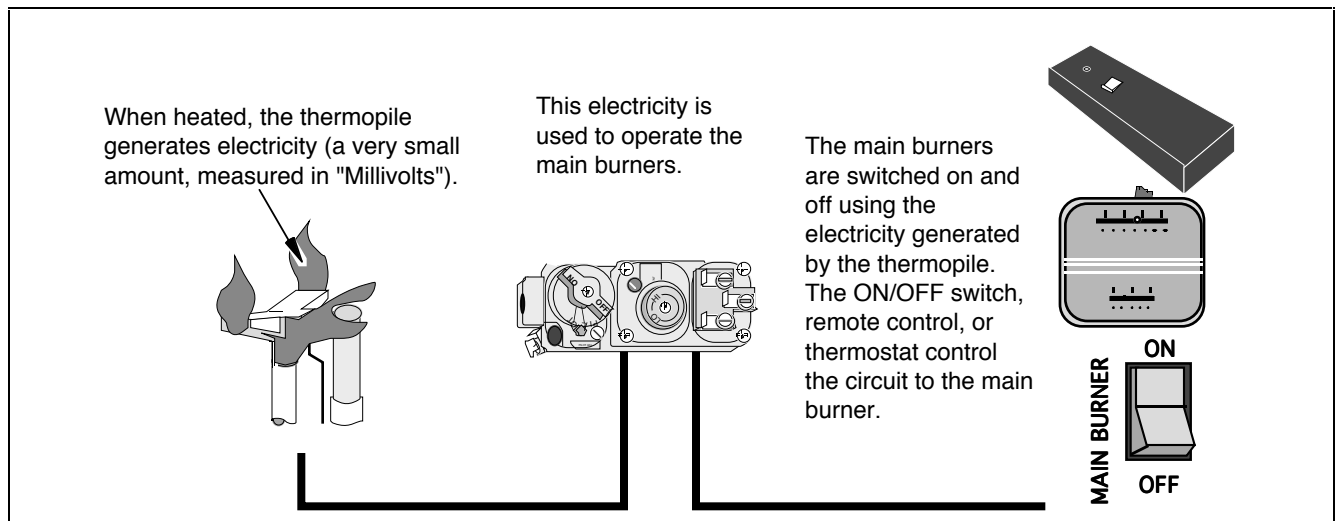
Problem:	Possible Cause:	Don't Call for Service Until You:
Pilot Will Not Light	A gas shut off valve is turned off The valve control knob isn't turned to "PILOT" The valve control knob isn't pushed in The igniter wasn't pressed repeatedly.....	Check all gas shut off valves See "Starting the Pilot Light" Step C See "Starting the Pilot Light" Step C See "Starting the Pilot Light" Step C
Main Burners Will Not Start	The pilot light has gone out The ON/OFF switch is turned to "OFF" The remote control is not working correctly..... The thermostat is disconnected or set too high.....	See "Starting the Pilot Light" Turn the ON/OFF switch to "ON" See "Remote Control Operation" See "Thermostat Operation"
Remote Control Does Not Work	The pilot light has gone out The ON/OFF switch is turned to "OFF" The remote is too far away from the heater The remote control receiver is turned "Off" or "On" One of the two remote control batteries is dead.....	See "Starting the Pilot Light" Turn the ON/OFF switch to "ON" Use the remote closer to the heater See "Remote Control Operation" See "Remote Control Operation"
Thermostat Does Not Work	The pilot light has gone out The ON/OFF switch is turned to "OFF" The thermostat is set too high.....	See "Starting the Pilot Light" Turn the ON/OFF switch to "ON" See "Thermostat Operation"
Heater Will Not Distribute Heat	The heater is unplugged..... The heater is not up to temperature.....	Plug the heater in. See "Operating Your Heater"
Pilot Goes Out Once A Month Or More	The gas supply has not been shut off The vent is experiencing a cold air blockage or a negative pressure situation exists in the home.....	Keep the gas supply turned on This is a necessary safety feature that disables the heater if a down draft occurs. If this problem is persistent the vent may need to be improved or changes may need to be done to remove the negative pressure inside the home - see your dealer for details
Flame (and Pilot) Goes Out 10 to 25 Minutes After Starting	The vent is experiencing a cold air blockage or a negative pressure situation exists in the home.....	This is a necessary safety feature. First try restarting the heater. If it works correctly, a cold air blockage occurred and the vent just needed to be heated sufficiently. If this problem is persistent the vent may need to be improved or changes may need to be done to remove the negative pressure inside the home - see your dealer for details
Flames Are Too Blue	The heater has just been started.....	This is normal - see "Operating Your Heater"
Flames Are Orange With Dirty Smoke	Something may be placed against the heater.....	See "How this Heater Works"
Flames Are Too Short (Under 6")	The flame height may be turned too low..... Something may be placed against the heater.....	Turn the flame height to "HI" - See "Operating Your Heater" See "How this Heater Works"
Thin Layer of Soot Covers the Glass	The logs are placed incorrectly.....	See "Installing the Logs and Ember Strip"

How this Heater Works

! This heater is designed with safety as the primary concern. Many of the internal components are for safety purposes. Therefore, only certified gas service technicians should service this heater.

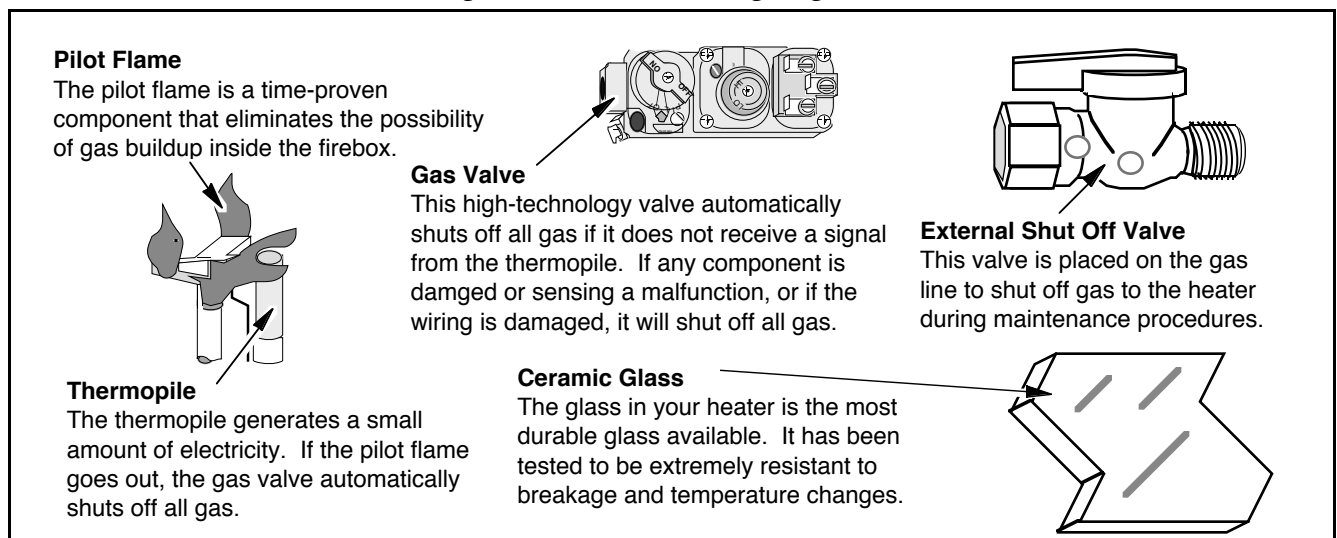
What Turns the Main Burners On and Off

This heater uses a millivolt system to control its operation (a millivolt is a very small amount of electricity). The thermopile generates electricity when heated by the pilot flame. This electricity is used to operate the gas valve. Without enough electricity, the gas valve will not turn on. That is why when starting the pilot the gas control knob has to be pressed in long enough for the thermopile to heat up and generate enough electricity. The thermopile also provides power for the ON/OFF switch, remote control, or thermostat (see the illustration below). Because the thermopile generates the electricity needed to turn the heater on and off, this heater can be operated when the power is out (although the blower will not run).



What Prevents Gas Buildup

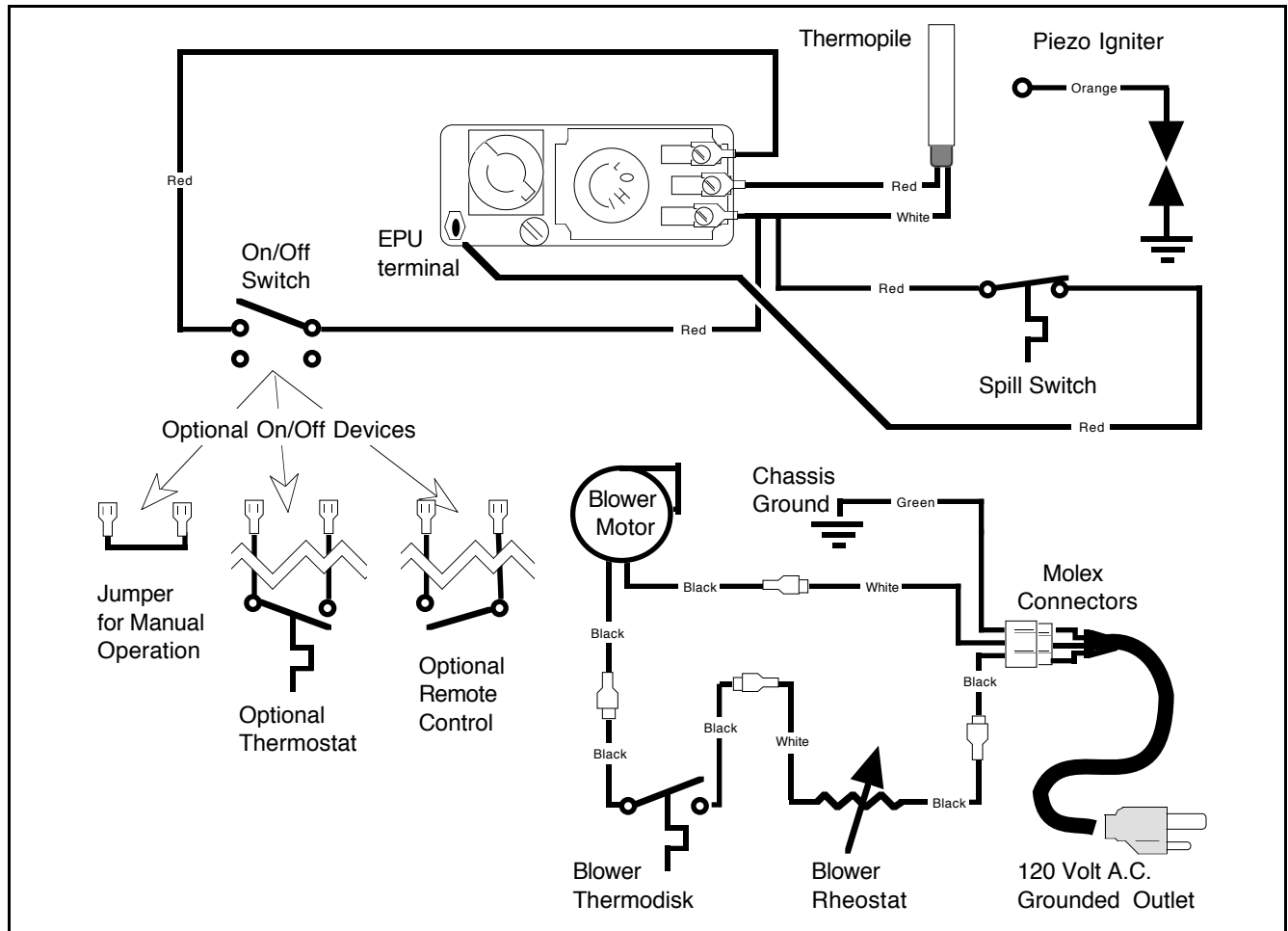
- + Your heater utilizes a high-technology gas valve to prevent gas buildup. It also has a pilot flame inside the firebox, which is a proven method for preventing gas buildup.
- + **While the main burner is off** the thermopile (next to the pilot) senses when the pilot flame is lit. If the pilot flame goes out, this thermopile no longer generates electricity, causing the gas valve to automatically shut off all gas to the heater, preventing the pilot from spilling gas into the firebox.
- + **While the main burner is on** the pilot flame insures all gas ignites inside the firebox.



Why Nothing Should Be Placed Against the Heater

Your heater has a grill on the sides, bottom, and top that must not be blocked. The grill area around the control cover allows air into the firebox. If it is blocked the combustion inside the firebox will not burn normally. This will result in reduced efficiency and the exhaust gases will become dirty. The convection air openings on the side and top are used to draw room air over the hottest parts of the heater and distribute the warmed air into the room. If they are blocked, the heater will not heat as well and may become too hot internally.

Wiring Diagram



Replacement Parts List

Replacement parts are available at your dealer. Contact Travis Industries for information on the closest dealer. The parts listed below are the only parts that the consumer may replace. All other parts must be replaced by a qualified gas service person.

PART	Part description
Glass Gasket	Black 5/8" wide, 1/8" thick Self-Adhesive Fiberglass
Door Glass	5 mm neoceram - 3 pieces
Glass Clips	6 Clips
Log Set (includes coals)	Front and back log, left and right twig, and coals
Owner's Manual	This document

TRAVIS INDUSTRIES, INC. warrants the AVANTI natural gas heater to be defect-free in material and workmanship for five (5) years from the date of purchase, with the exception of the glass, paint, electrical components, switches, piezo igniter, fans, gaskets, logs, moving parts, gas valve, manifold, and burner pan. This does not include service call cost or any other additional charges. Check with your dealer for all costs if arranging a warranty call. The exceptions listed are warranted for one (1) year from the date of purchase to be defect-free in material and workmanship, with the exception of the glass and paint, which are not covered by the warranty.

Exclusions to this limited warranty include: Injury malfunction to the product, loss, damage, defect, failure to function due to accident, negligence, misuse, improper installation, alteration or adjustment of the manufacturers settings of components, lack of proper and regular maintenance, damage incurred while the unit is in transit, alteration, or act of God.

This limited warranty excludes damage caused by normal wear and tear, such as paint discoloration or chipping, worn or torn gasketing, eroded or cracked logs, ember strip, etc. Also excluded is damage to the unit caused by abuse, improper installation, modification of the unit, drilling of the orifices, or the use of fuel other than that indicated on the safety label (natural gas or propane).

TRAVIS INDUSTRIES, INC. is free of liability for any damages caused by the unit, as well as inconvenience expenses, material and labor charges incurred by the removal or reinstallation of any AVANTI unit. Incidental or consequential damages are not covered by this warranty. In some states, the exclusion of incidental or consequential damage may not apply.

This warranty does not cover any loss or damage incurred by the use or removal of any component or apparatus to or from the AVANTI unit without the express written permission of TRAVIS INDUSTRIES, INC. and bearing a TRAVIS INDUSTRIES, INC. label of approval.

Any statement or representation of AVANTI products and their performance contained in AVANTI advertising, packaging literature, or printed material is not part of this limited warranty.

This warranty is automatically voided if the unit's serial number has been removed or altered in any way.

Only the original purchaser of an Avanti heater is covered by this warranty. If the unit is used for commercial purposes, it is excluded from this warranty.

No dealer, distributor, or similar person has the authority to represent or warrant AVANTI products beyond the terms contained within this warranty. TRAVIS INDUSTRIES, INC. assumes no liability for such warranties or representations.

THIS LIMITED WARRANTY IS THE ONLY WARRANTY SUPPLIED BY TRAVIS INDUSTRIES, INC., THE MANUFACTURER OF THE UNITS. ALL OTHER WARRANTIES, WHETHER EXPRESS OR IMPLIED, ARE HEREBY EXPRESSLY DISCLAIMED AND PURCHASER'S RECOURSE IS EXPRESSLY LIMITED TO THE WARRANTIES SET FORTH HEREIN.

This warranty is limited to the time frame set forth above. In some states, time limitations on warranties do not apply.

HOW TO USE YOUR AVANTI FIVE-YEAR WARRANTY: If you find your unit to be defective in workmanship or material within a 5-year period from the date of purchase contact your local authorized AVANTI dealer. If your dealer is unable to repair your unit's defect, he may process a warranty claim through TRAVIS INDUSTRIES, INC., including the name of the dealership where you purchased the unit, a copy of your receipt showing the date of the unit's purchase, and the serial number on your unit. At that time, you will be asked to ship your unit, freight charges prepaid, to TRAVIS INDUSTRIES, INC. TRAVIS INDUSTRIES, INC., at its option, will repair or replace, free of charge, your AVANTI unit if it is found to be defective in material or workmanship within the time frame stated within this limited warranty. TRAVIS INDUSTRIES, INC. will ship your unit, freight charges prepaid by TRAVIS INDUSTRIES, INC., to your regional distributor, or dealership.

To register your TRAVIS INDUSTRIES, INC. Five-Year Warranty, complete the enclosed warranty card and mail it within ten (10) days of the unit purchase date to: TRAVIS INDUSTRIES, INC., 10850 117th Place N.E., Kirkland, Washington 98033.

OTHER RIGHTS:

This warranty provides you with certain legal rights. You may have additional rights, which vary from state to state, in regards to this warranty.

Unit Serial Number _____

Date of Purchase _____


Dealer Name and Address _____

Complete and
save for your
records

Travis Industries, Inc. reserves the right to change, without notice, product features or specifications described.



The safety label can be found on a card that is chained to the unit behind the control cover. A copy is shown below.



Whisper Hersey
Listed Gas-Fired Vented Room Heater

Avanti Gas Heater

WH-

Tested to ANSI Z21.11.1-1991 Gas-Fired Vented Room Heaters (Report #1100 - Dec. 1994)
Must be installed in accordance with all local codes, if any; if not, follow ANSI Z223.1 and the requirements listed in the accompanying owner's manual.

This unit is equipped for use with NATURAL GAS ■ PROPANE(L.P.) ■

Input and Orifice Specifications:	L.P.	N.G.
Maximum Input Rating (BTU/Hr)	31,000	31,000
Minimum Input Rating (BTU/Hr)	17,000	18,000
Burner Orifice	.0625" #37 (DMS)	

Pressure Specifications:		L.P.	N.G.
Manifold Pressure HI Setting (W.C.)	11"		3.5"
Manifold Pressure LO Setting (W.C.)	2.7"		1.0"
Minimum Inlet Pressure (W.C.)	11.5"		5.5"

Minimum Clearance to Combustibles	
Unit to Sidelwall	10"
Unit to Backwall	3"
Unit to Cornerswall	4"
Alcove Minimum Width	4.4"
Alcove Minimum Height	58"
Alcove Maximum Depth	45"
Side Facing	8"
Top Facing	8"
Mantle Height Above Unit	17-1/2"
Hearth Extension (Front)	0"
Hearth Extension (Side)	0"

Blower Electrical Rating: 115 Volts, 1.5 Amps, 60 Hz.
FAN TYPE VENTED CIRCULATOR


WARNING:
 Operation of this heater when not connected to a properly installed and maintained venting system or tampering with the vent safety shutoff system can result in carbon monoxide (CO) poisoning and possible death.
 Improper installation, adjustment, alteration, service or maintenance can cause injury or property damage.
 Refer to the information in the owner's manual provided with this appliance. For assistance or additional information consult a qualified installer, service agency or the gas supplier.
 Risk of electrical shock. Disconnect power before servicing unit.
 Do not route power cord beneath heater when installed as an insert.

MANUFACTURE DATE:

<input type="checkbox"/> 1995	<input type="checkbox"/> Jan.	<input type="checkbox"/> Apr.	<input type="checkbox"/> Jul.	<input type="checkbox"/> Oct.
<input type="checkbox"/> 1996	<input type="checkbox"/> Feb.	<input type="checkbox"/> May	<input type="checkbox"/> Aug.	<input type="checkbox"/> Nov.
<input type="checkbox"/> 1997	<input type="checkbox"/> Mar.	<input type="checkbox"/> Jun.	<input type="checkbox"/> Sep.	<input type="checkbox"/> Dec.
<input type="checkbox"/> 1998				

DO NOT REMOVE THIS LABEL

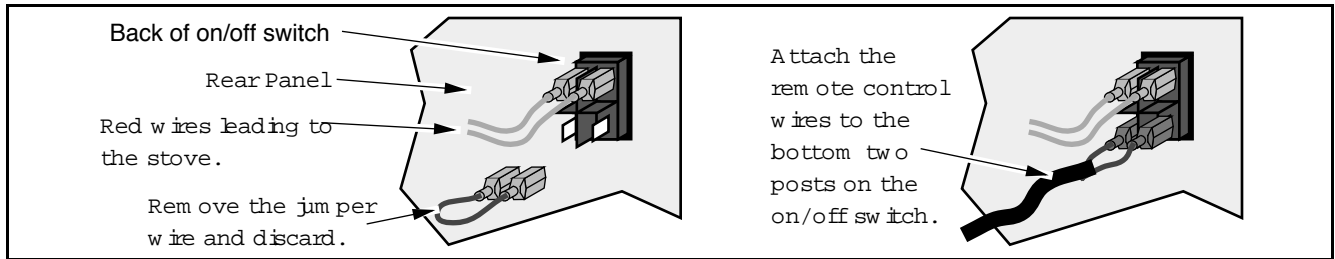
MADE IN THE U.S.A. BY:



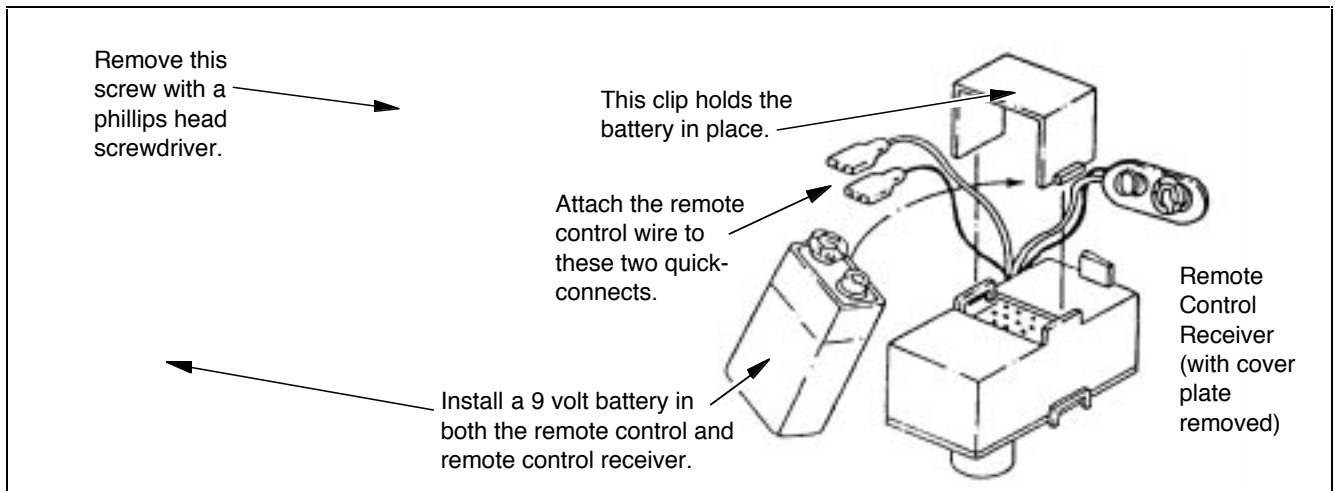
Travis Industries, Inc.
 10850 117th Pl. N.E. Kirkland, WA 98033

Remote Control (Part # 99300651)

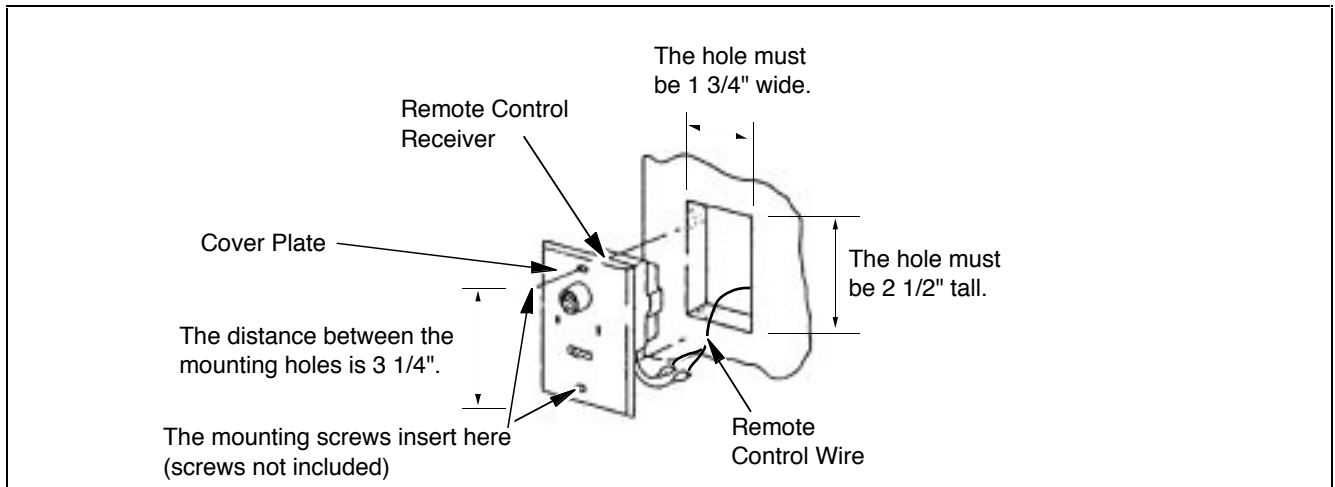
- ! Do not connect 110-120 VAC to the gas control valve or wiring system of this unit.
- 1 The rear panel must be removed and the on/off switch installed prior to installing the remote control (see page 11 for details). Remove and discard the jumper wire on the on/off switch. Connect the two female (black) connectors on the remote control wire to the two posts the jumper wire was attached to.



- 2 Route the remote control wire through the gas inlet hole and pull through all the slack (you may wish to wrap the wire in electrical tape where it passes through the heater to prevent damage to the wire). Attach the rear panel (see page 11 for details).
- 3 Turn the gas control valve to "OFF". Install a standard 9 volt battery into both the remote control receiver and remote control.

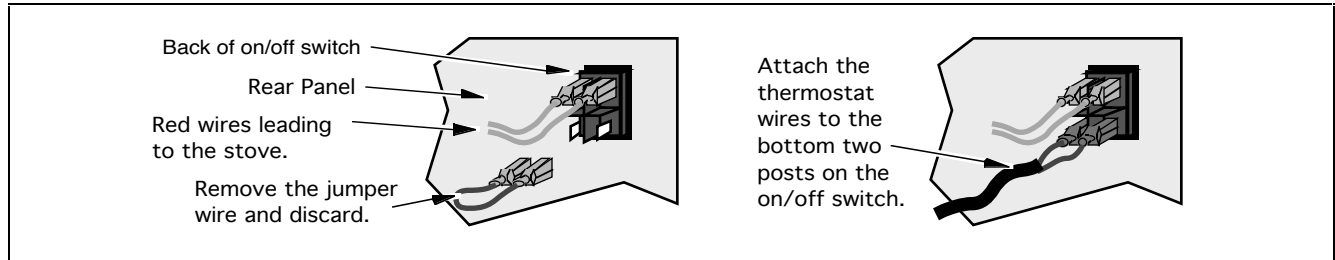


- 4 Choose a location for the remote control receiver that is near the heater so that it may be reached with the 50' length of remote control wire. Cut a 1-3/4" wide by 2-1/2" tall hole into the wall for the remote control receiver. Route the remote control wire to the remote control receiver (the wire may be routed externally on the wall or behind the wall). Attach the remote control wire to the remote control receiver by inserting the quick-connects together.

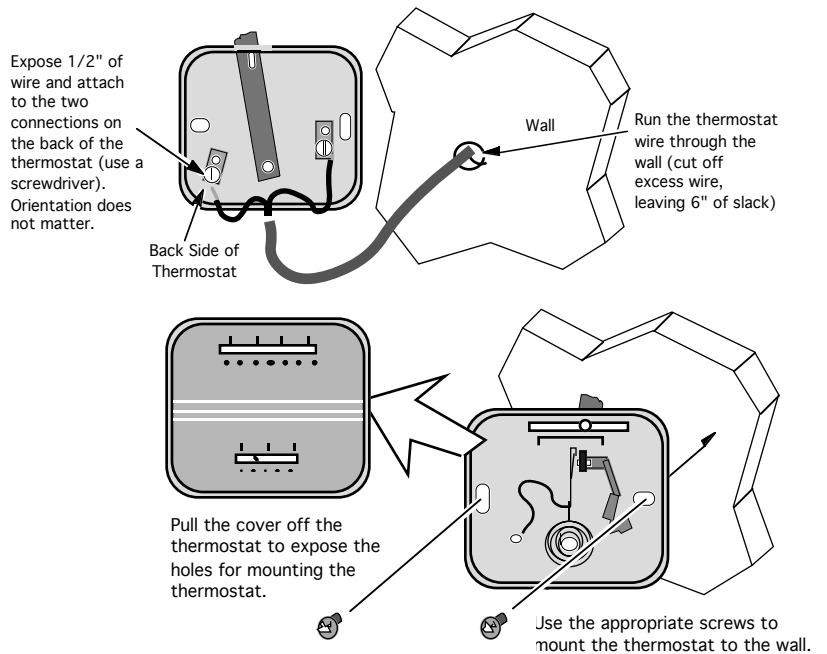


Thermostat (Part # 99300650)

- ! Do not connect 110-120 VAC to the gas control valve or wiring of this unit.
- 1 The rear panel must be removed and the on/off switch installed prior to installing the remote control (see page 9 for details). Remove and discard the jumper wire on the on/off switch. Connect the two female connectors on the thermostat wire to the two posts the jumper wire was attached to.

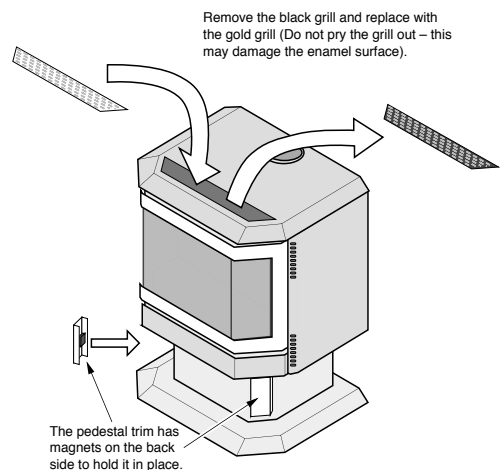


- 2 Route the remote control wire through the gas inlet hole and pull through all the slack (you may wish to wrap the wire in electrical tape where it passes through the heater to prevent damage to the wire). Attach the rear panel (see page 9 for details).
- 3 Choose a location for the thermostat that is centralized in the room and away from the heater, yet may be reached with the 50' length of thermostat wire. Route the thermostat wire to this location. The wire may be routed externally on the wall or behind the wall (preferred).
- 4 Cut the thermostat wire so there is approximately 6" of slack (NOTE: Do not splice thermostat wires together—this leads to too much electrical resistance). Expose 1/2" off each wire of the thermostat wire. Attach the exposed wire to the clips on the back of the thermostat using a screwdriver.
- 5 Pull the cover off the thermostat. Place the thermostat in location and attach it to the wall through the two obround holes (use the appropriate screws for the type of wall it is being attached to). Replace the cover on the thermostat to complete the installation.



Avanti Gold Trim (Part # 99200116)

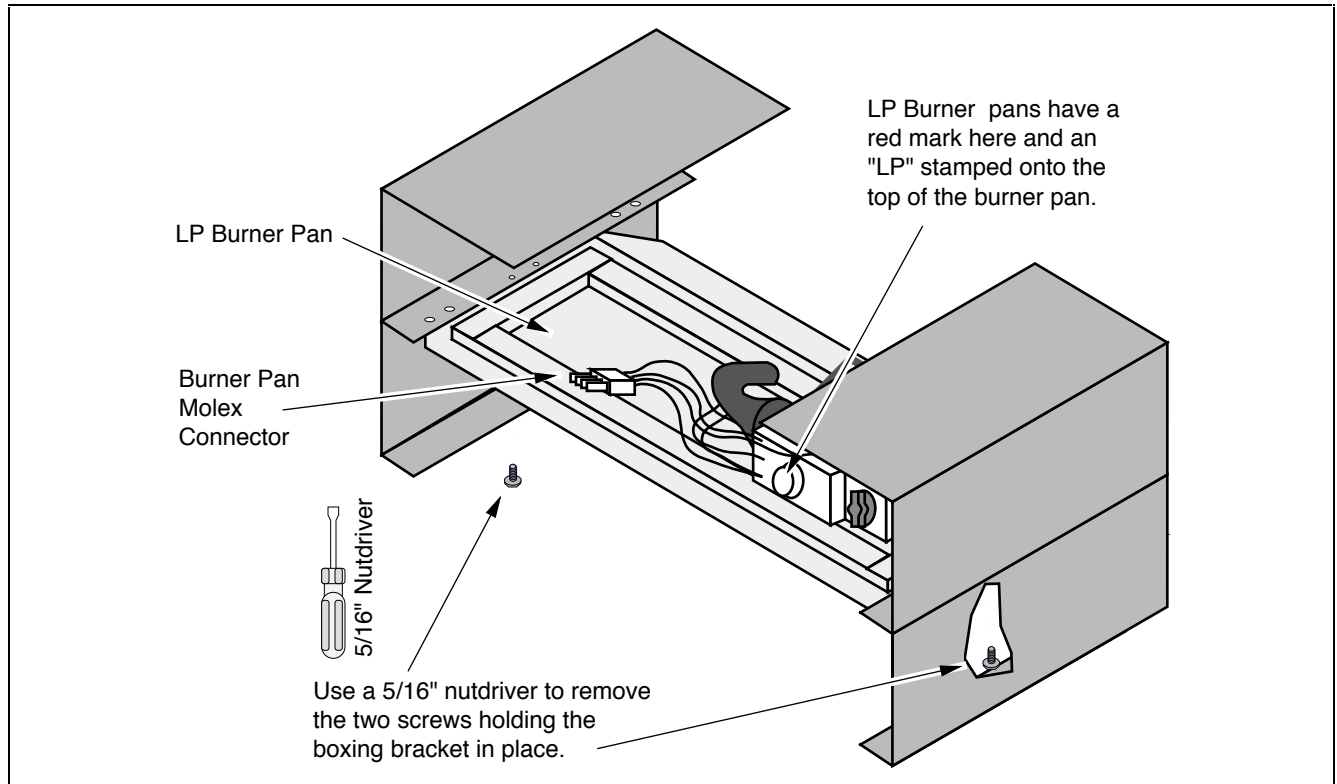
- 1 Install the stove shell prior to installing the gold trim.
- 2 Place the pedestal trim against the pedestal. Slide the trim until it is aligned. The magnets on the back of the trim will hold them in place.
- 3 Remove the black grill from the upper stove top. Replace with the gold grill.
- ! Do not pry the grill out – this may cause chipping or cracking on enamel surfaces.



Avanti LP (Propane) Burner Pan (Part # 98900736)

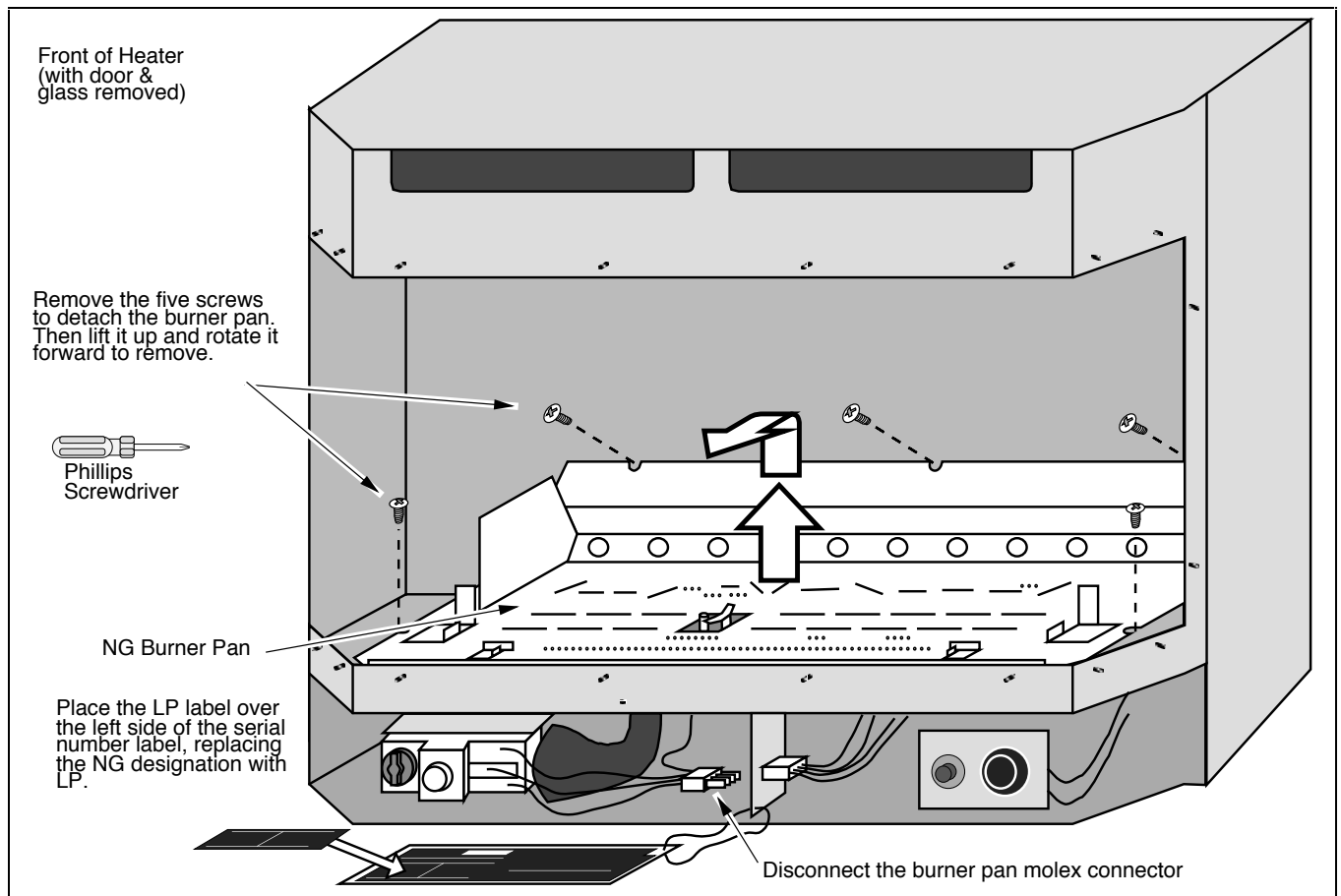
The LP burner pan should be installed prior to installing the heater.

- ! Turn off the gas leading to the heater (if attached).
- 1 Remove the LP burner pan from the packaging and remove the two screws holding the boxing brackets in place with a 5/16" nutdriver. Keep the packaging, boxing brackets, and screws. They are used to ship the natural gas (NG) burner pan back to Travis Industries.
- 2 Remove the gold door from the heater (see step 1 on page 23).



- 3 Remove the center glass (see step 2 on page 23). Each side piece of glass is held in place with three glass clips. Loosen the nuts holding the clips in place two turns (there are six nuts on each side). Then slide both pieces of glass out.
- 4 Disconnect the burner pan molex connector (see the illustration on the following page).
- 5 Using a phillips-head screwdriver, remove the 5 screws holding the natural gas (NG) burner pan in place. Lift it up and rotate it forward to remove it from the firebox. Attach the boxing brackets to it with the screws removed in step 1 and place it inside the LP burner pan packaging.
- 6 Place the LP label over the left side of the serial number label, thus replacing the NG designation with the LP designation (NOTE: this label is attached by a chain to the heater - see the illustration on the following page).
- 7 Install the LP burner pan by rotating it into position. Replace the five screws removed in step 5 and tighten with a phillips-head screwdriver.
- 8 Re-connect the burner pan molex connector disconnected in step 4.

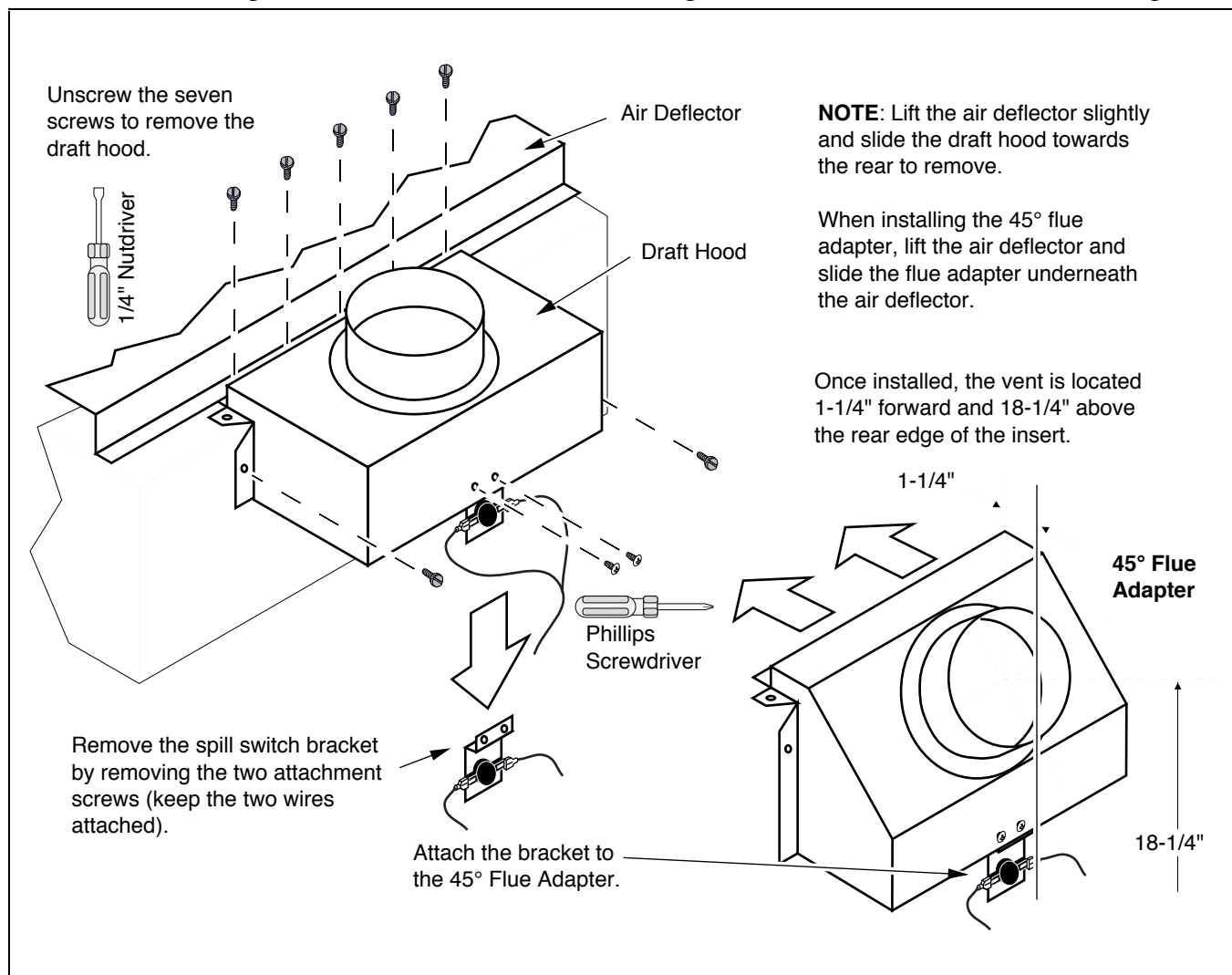
- 9 Replace the side glass but do not tighten it in place. Insert the center glass into position and center it. Tighten the center glass clip nuts until the gasket starts to flatten, making sure the gasket remains in place and is not pinched underneath the glass clip (use a 5/16" nutdriver). Slide the side glass towards the center until the edge butts up against the center glass. Tighten the side glass clip nuts until the gasket starts to flatten, making sure the gasket remains in place and is not pinched underneath the glass clip (use a 5/16" nutdriver).
- 10 At this point the heater may be installed.
- 11 Fill in the PRA form included with this kit. Remember to **include the serial number of the heater**. Then ship it, along with the un-burned NG burner pan, to Travis Industries for credit.
 - No credit will be issued if the NG burner pan is damaged, incomplete, or if it was burned.
 - Incomplete PRA forms will delay credit.



45° Flue Adapter (Part # 98900118)

The 45° flue adapter is designed for insert installations requiring a more flexible flue outlet.

- 1 Install the flue adapter prior to inserting the insert into the fireplace.
- 2 Use a phillips-head screwdriver to unscrew the two screws holding the spill switch bracket in place. Place the screws and bracket, with wires still attached, aside.
- 3 Unscrew the seven screws holding the draft hood in place. Lift up slightly on the air deflector and slide the draft hood towards the rear of the heater until it comes free. Discard the old draft hood.
- 4 With the air deflector lifted up slightly, slide the 45° flue adapter into place. Make sure the flue adapter fits underneath the air deflector. Replace the seven screws to secure the flue adapter.
- 5 Attach the spill switch bracket to the 45° flue adapter with the two screws removed in step 2.



B Vent (insert)	20	Operating the Heater	27
B vent (stove)	14	Paint Curing	29
Blower Speed	30	Parts List	34
BTU Input	5	Pedestal (installation)	6
Cap (vent termination - insert)	21	Pilot (starting)	28
Cap (vent termination - stove)	15	Power Cord (re-routing to rear or left of heater)	17
Clearances (insert)	17	Propane Line Install (gas line install - insert)	18
Clearances (stove)	11	Propane Line Install (gas line install - stove)	12
Controls	27	Propane Verses Natural Gas Heater	2
Dimensions	5	Purging Gas Line (insert)	18
Door	23	Purging Gas Line (stove)	12
Emissions	5	Remote Control (installation)	37
Fan Speed	30	Remote Control (operation)	29
Firebox (inspection)	31	Replacement Parts	34
Fireplace Sizing	17	Running Your Heater	29
Flame Height	29	Safety Label	36
Floor Protection (insert)	17	Safety Precautions	2
Floor Protection (stove)	11	Sounds (normal operating sounds)	30
Fuel	5	Starting The Pilot	28
Gas Inlet Location (insert)	18	Starting the Heater for the First Time	29
Gas Inlet Location (stove)	12	Stove Clearances	11
Gas Leak	See Inst. on Cover	Surround Panels (installation)	21
Gas Line Install (insert)	18	Table of Contents	4
Gas Line Install (stove)	12	Thermostat (installation)	38
Gas Pressure (insert)	19	Thermostat (operation)	29
Gas Pressure (stove)	13	Troubleshooting Table	32
Gas Smell	See Inst. on Cover	Turning the Heater On and Off	29
Glass, Glass Gasket	25	Vent Requirements (insert)	20
Heater Placement (insert)	17	Vent Requirements (stove)	14
Heater Placement (stove)	11	Vent termination (insert)	20
Heating Specifications	5	Vent termination (stove)	15
How this Heater Works	33	Warranty	35
Leaking Gas	See Inst. on Cover	Weight	5
Listing Information	36	What Prevents Gas Buildup	33
Logs and Ember Strip (installation, removal)	24	What Turns the Main Burners On and Off	33
Natural Gas Verses Propane Heater	2	Why Nothing Should Be Placed Against the Heater ...	33
On/Off Operation	29	Wiring Diagram	34
Operating Sounds	30		